

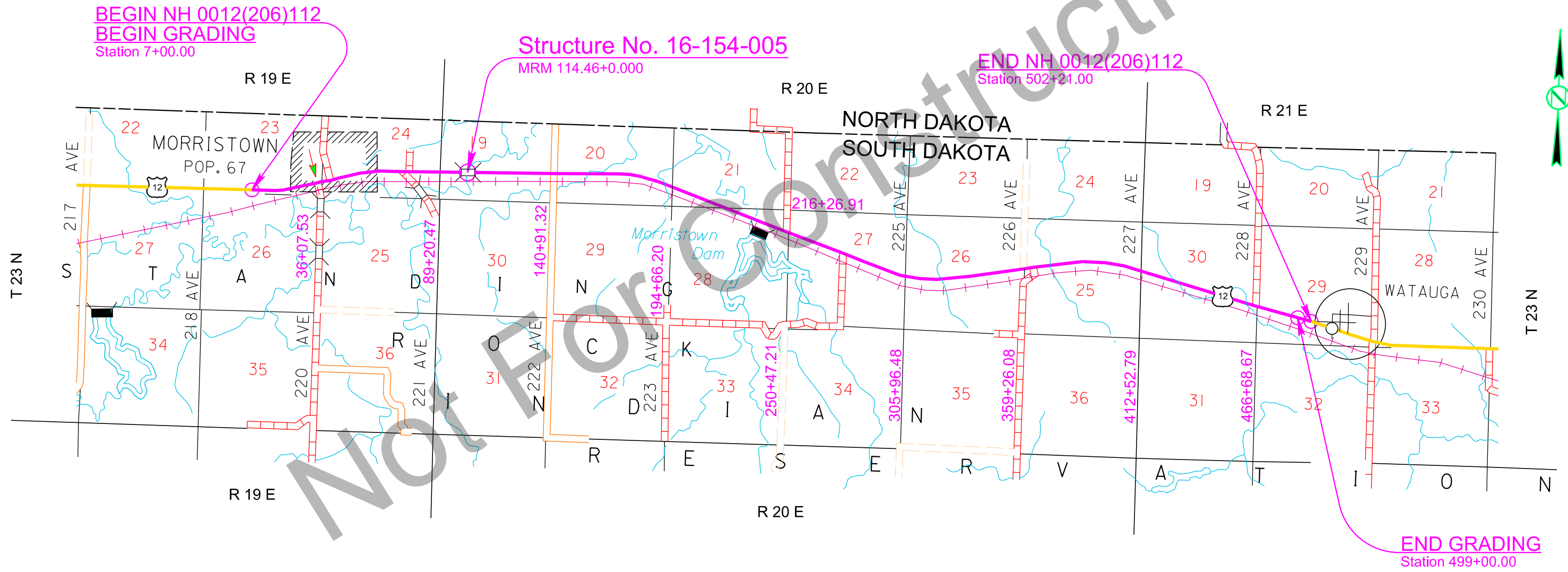
SECTION Z: PIPE SECTIONS

STATE OF SOUTH DAKOTA	PROJECT	SHEET	TOTAL SHEETS
	NH 0012(206)112	Z1	Z28

Plotting Date: 01/21/2021

INDEX OF SHEETS

Z1	General Layout with Index
Z2-Z20	Mainline Pipe Sections
Z21-Z28	Approach Pipe Sections



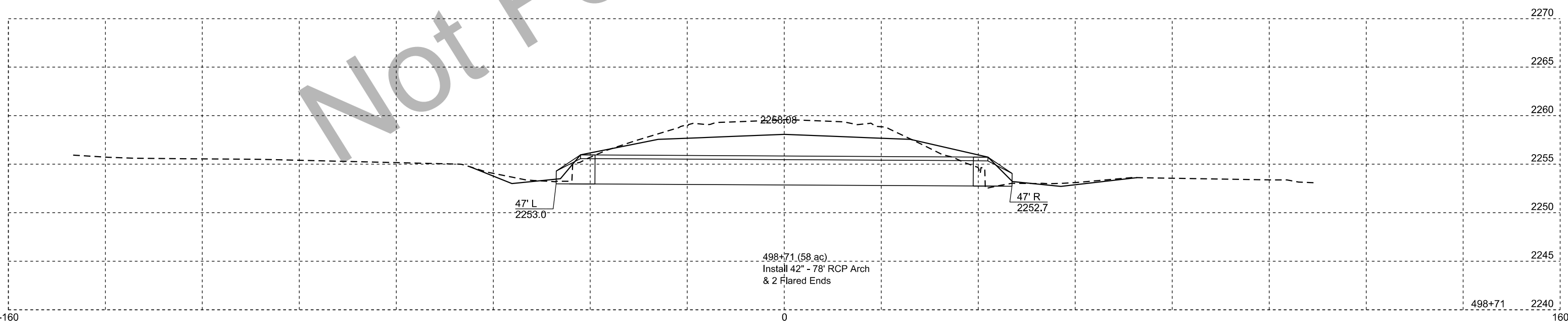
Plot Scale - 1:200

Plotted From - Trp16775

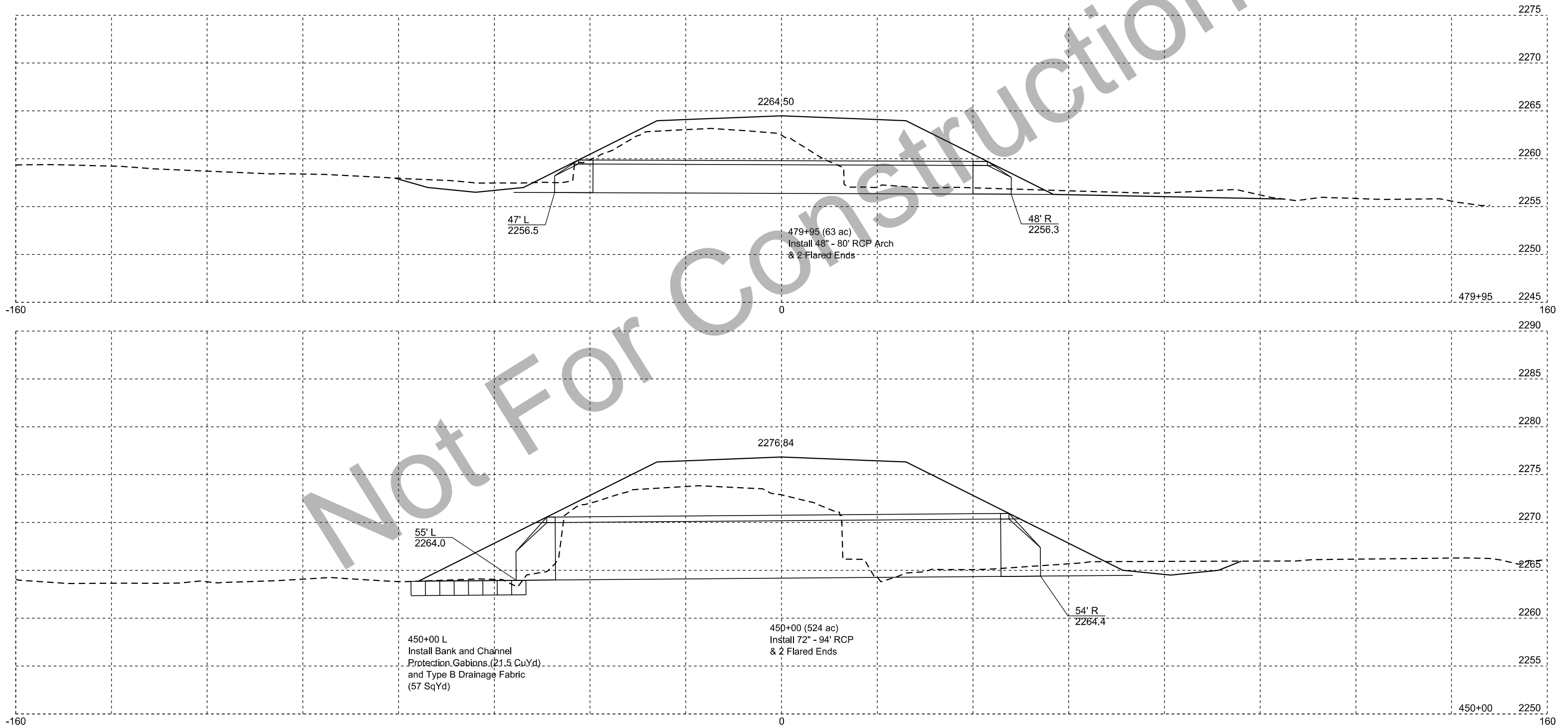
File - U:\trp\proj\Cons05\HW\TitleZ.dgn

STATE OF SOUTH DAKOTA	PROJECT	SHEET	TOTAL SHEETS
	NH 0012(206)112	Z2	Z28

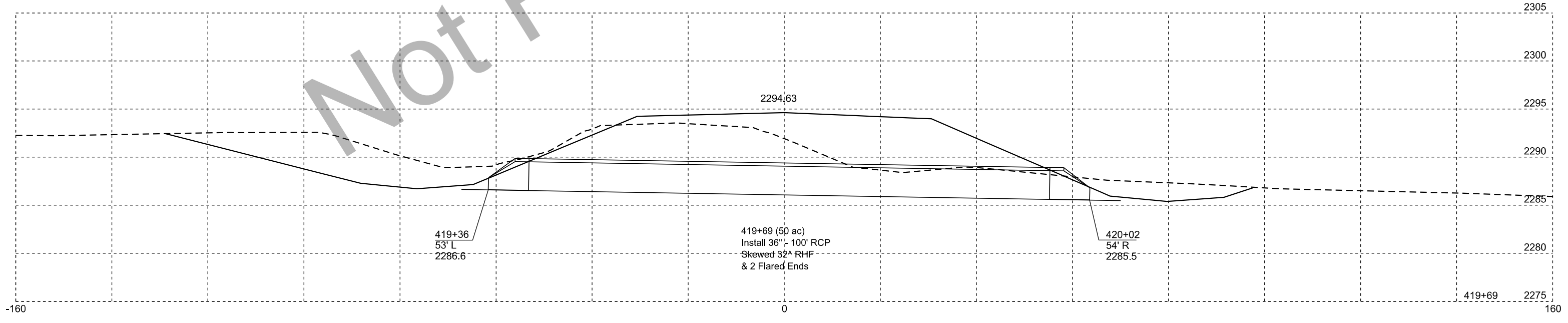
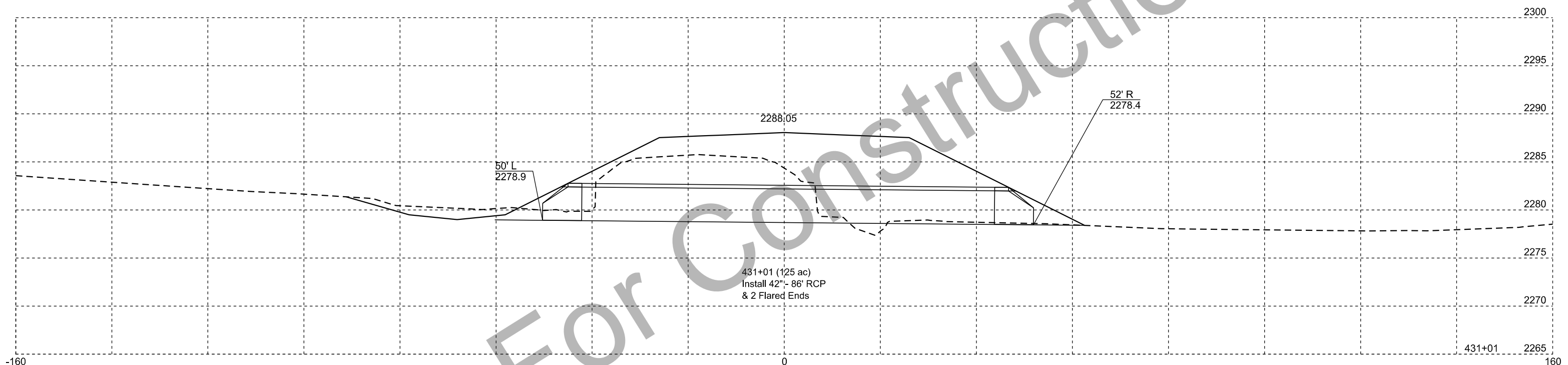
Not For Construction



STATE OF SOUTH DAKOTA	PROJECT	SHEET	TOTAL SHEETS
	NH 0012(206)112	Z3	Z28

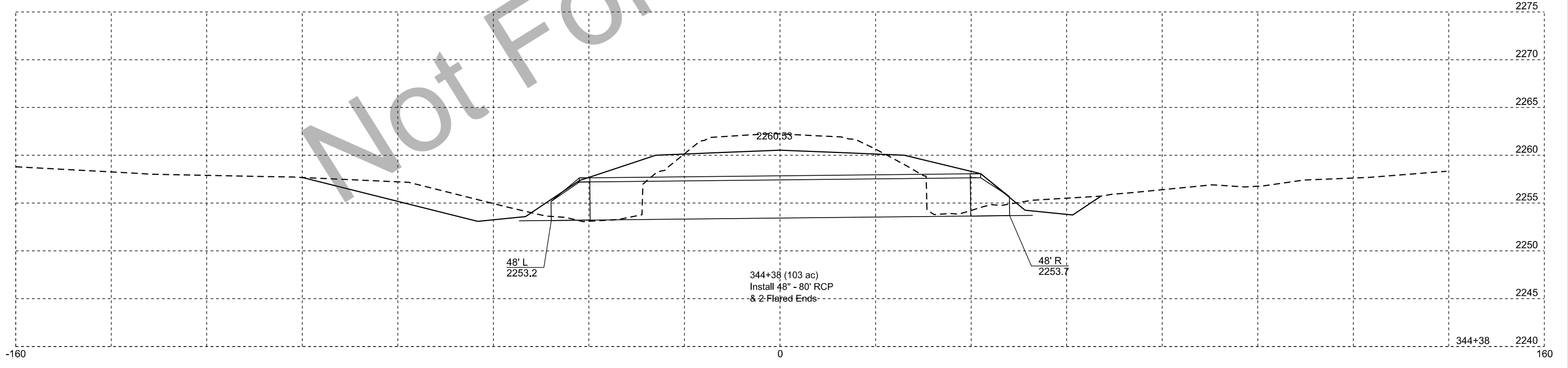
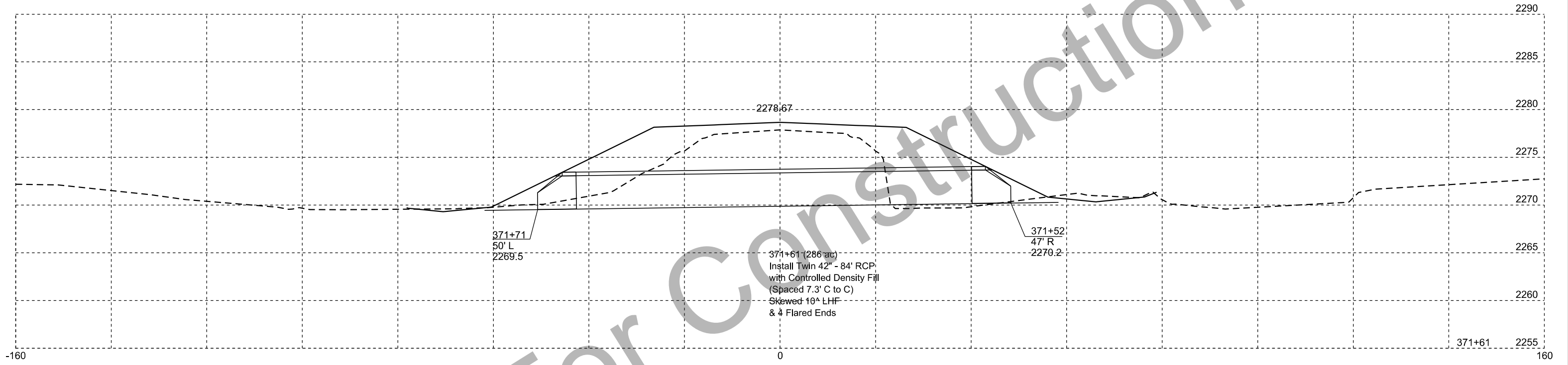


STATE OF SOUTH DAKOTA	PROJECT	SHEET	TOTAL SHEETS
	NH 0012(206)112	Z4	Z28

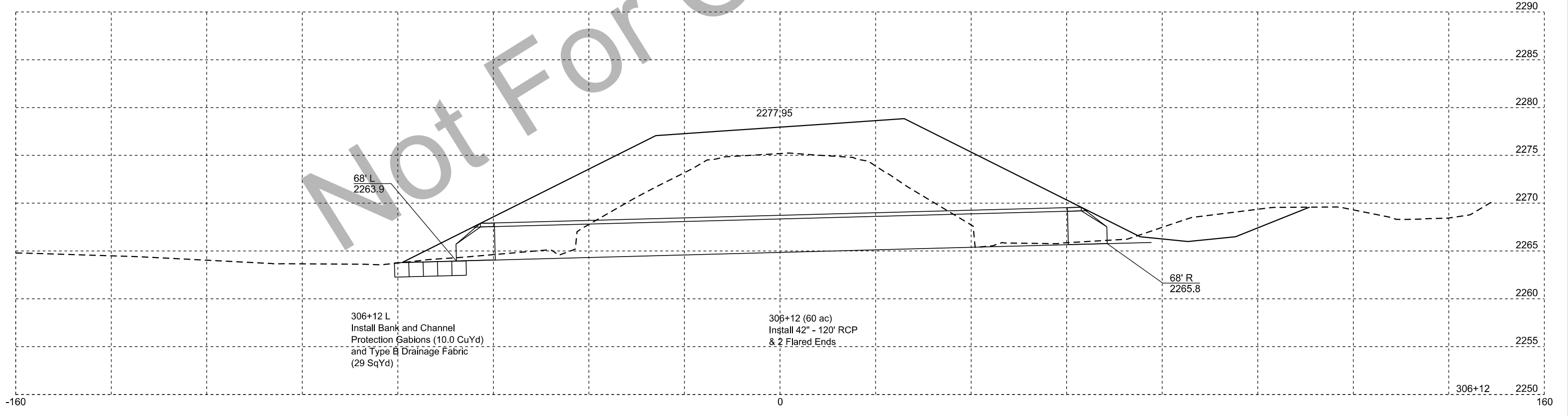
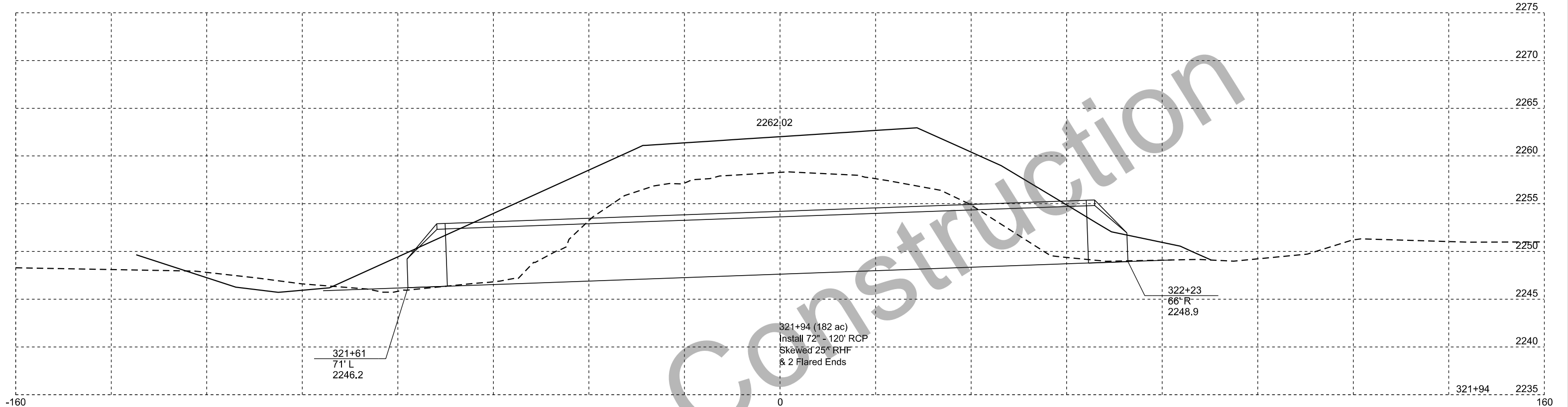


Not For Construction

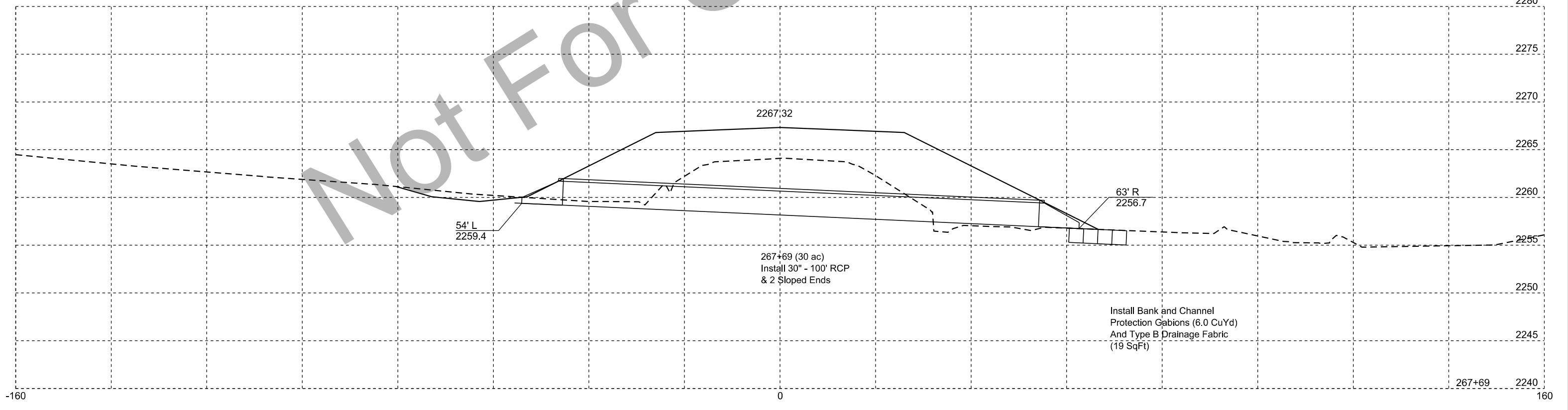
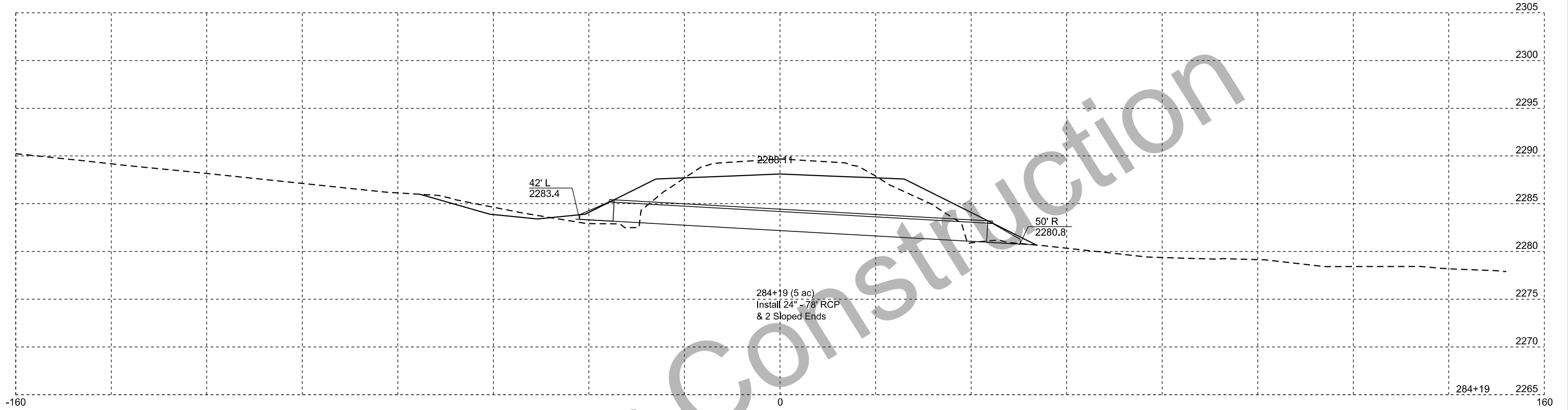
STATE OF SOUTH DAKOTA	PROJECT	SHEET	TOTAL SHEETS
	NH 0012(206)112	Z6	Z28



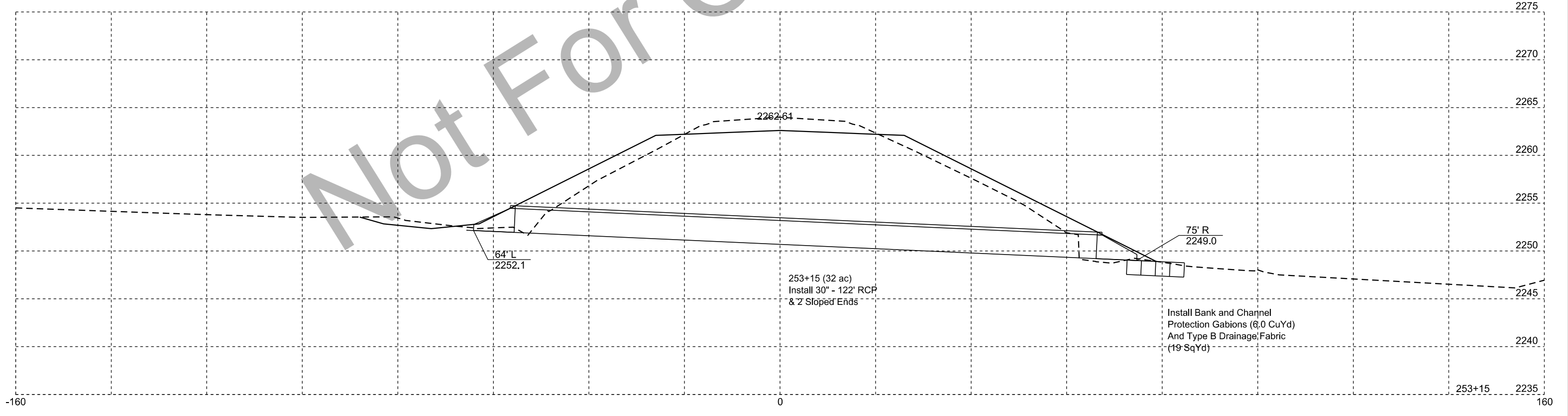
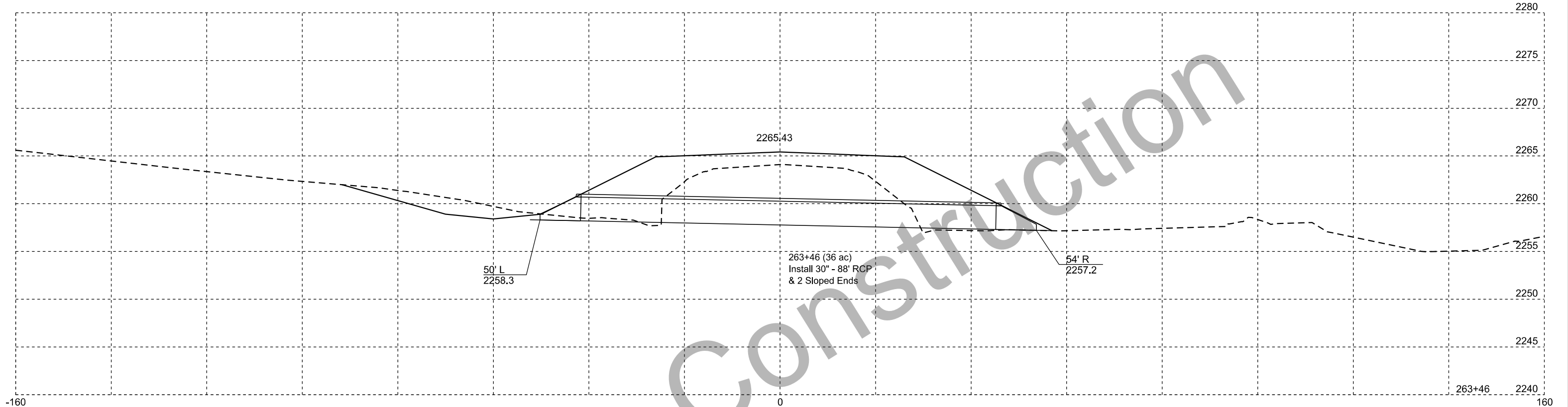
STATE OF SOUTH DAKOTA	PROJECT	SHEET	TOTAL SHEETS
	NH 0012(206)112	Z7	Z28



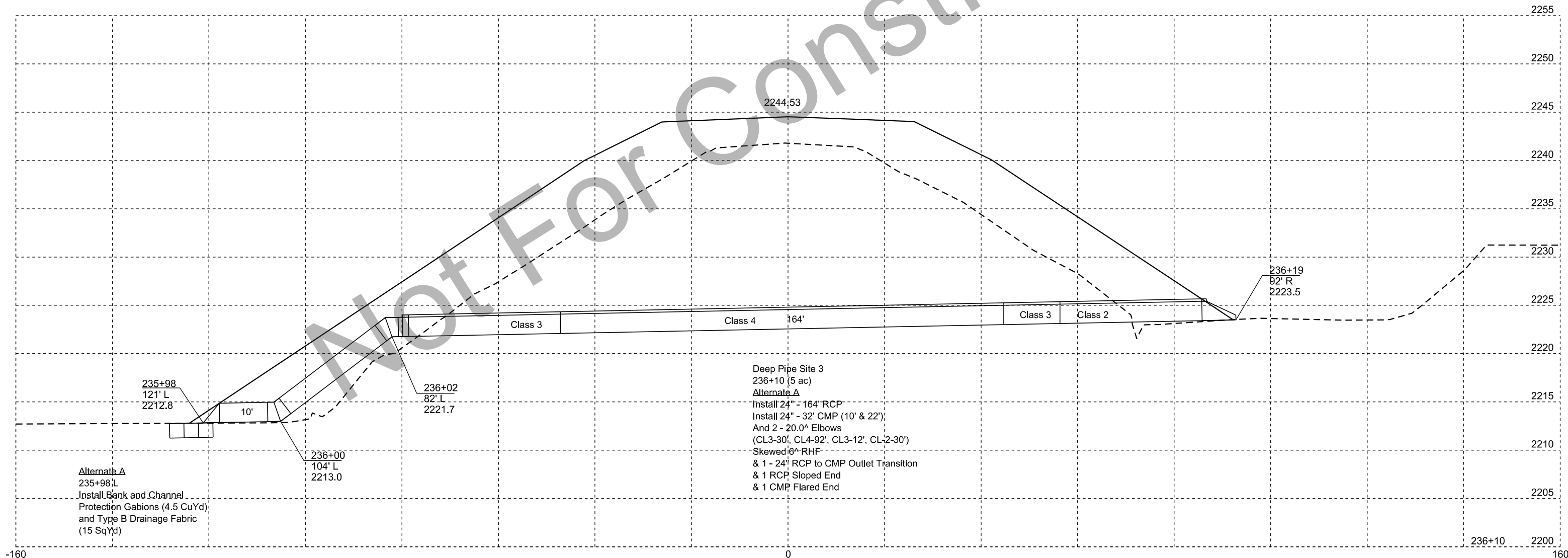
STATE OF SOUTH DAKOTA	PROJECT	SHEET	TOTAL SHEETS
	NH 0012(206)112	Z8	Z28



STATE OF SOUTH DAKOTA	PROJECT	SHEET	TOTAL SHEETS
	NH 0012(206)112	Z9	Z28



STATE OF SOUTH DAKOTA	PROJECT	SHEET	TOTAL SHEETS
	NH 0012(206)112	Z10	Z28

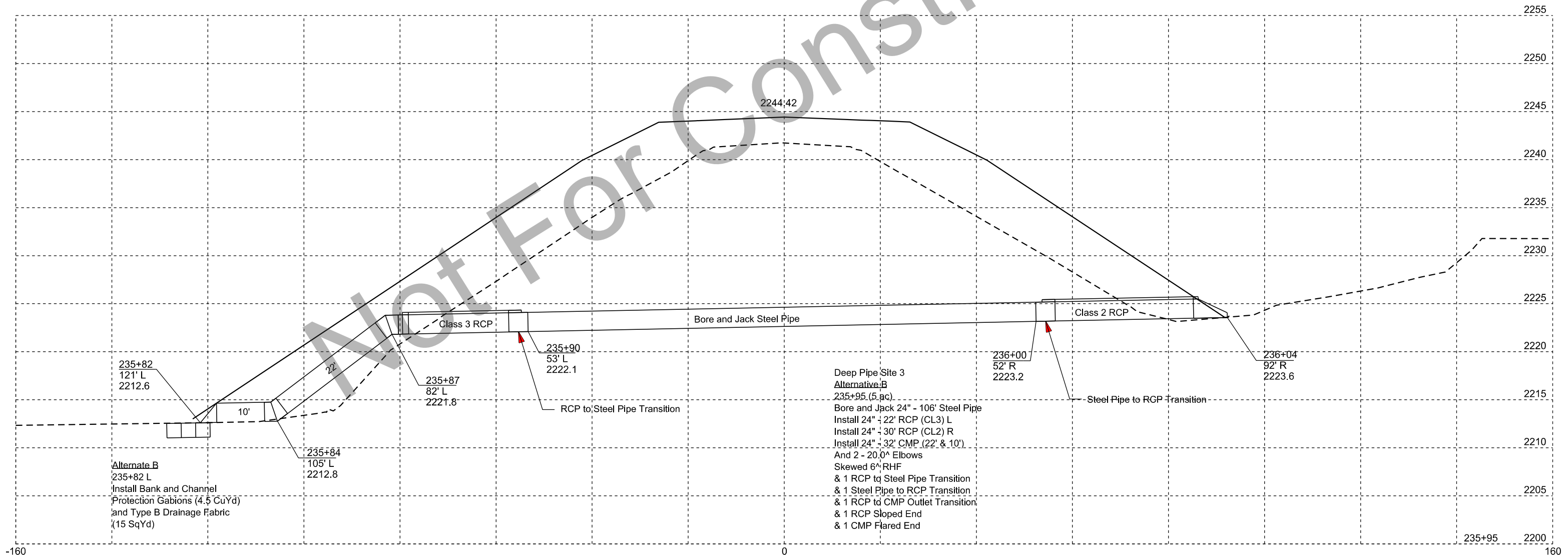


Not For Construction

Alternate A
235+98, L
Install Bank and Channel
Protection Gabions (4.5 CuYd)
and Type B Drainage Fabric
(15 SqYd)

Deep Pipe Site 3
236+10 (5 ac)
Alternate A
Install 24" - 164' RCP
Install 24" - 32' CMP (10' & 22')
And 2 - 20.0° Elbows
(CL3-30', CL4-92', CL3-12', CL-2-30')
Skewed 6° RHF
& 1 - 24" RCP to CMP Outlet Transition
& 1 RCP Sloped End
& 1 CMP Flared End

STATE OF SOUTH DAKOTA	PROJECT	SHEET	TOTAL SHEETS
	NH 0012(206)112	Z11	Z28



235+82
121' L
2212.6

Alternate B
235+82 L
Install Bank and Channel
Protection Gabions (4.5 CuYd)
and Type B Drainage Fabric
(15 SqYd)

235+84
105' L
2212.8

235+87
82' L
2221.8

235+90
53' L
2222.1

RCP to Steel Pipe Transition

2244.42

Bore and Jack Steel Pipe

Deep Pipe Site 3
Alternate B
235+95 (5 pc.)
Bore and Jack 24" - 106' Steel Pipe
Install 24" - 22' RCP (CL3) L
Install 24" - 30' RCP (CL2) R
Install 24" - 32' CMP (22' & 10')
And 2 - 20.0° Elbows
Skewed 6° RHF
& 1 RCP to Steel Pipe Transition
& 1 Steel Pipe to RCP Transition
& 1 RCP to CMP Outlet Transition
& 1 RCP Sloped End
& 1 CMP Flared End

236+00
52' R
2223.2

Steel Pipe to RCP Transition

Class 2 RCP

236+04
92' R
2223.6

235+95

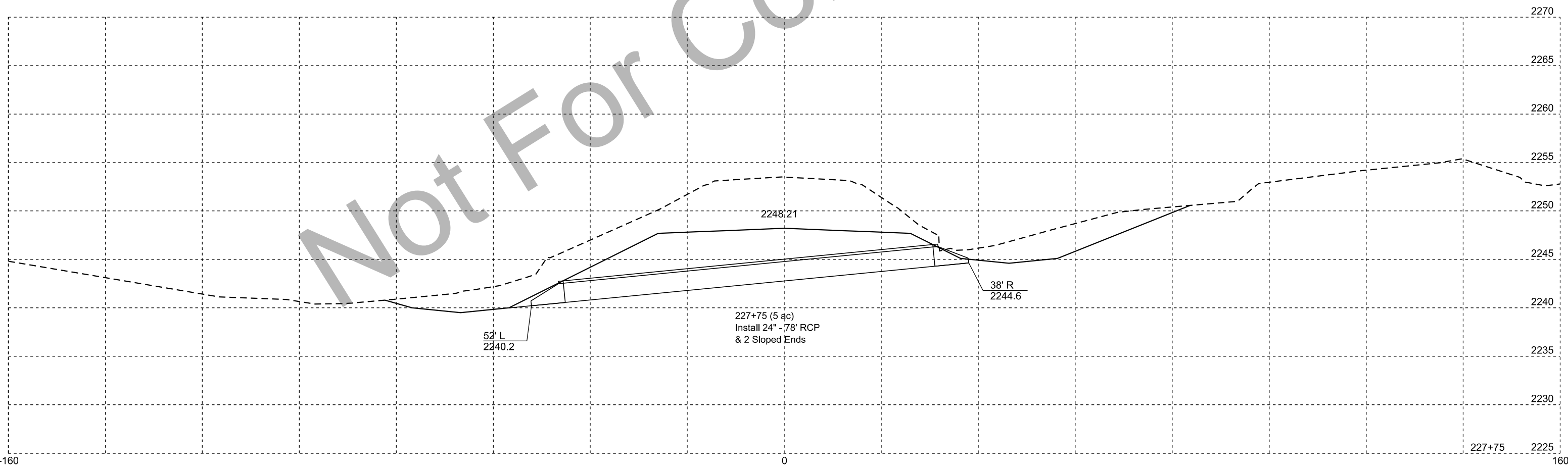
2200

-160

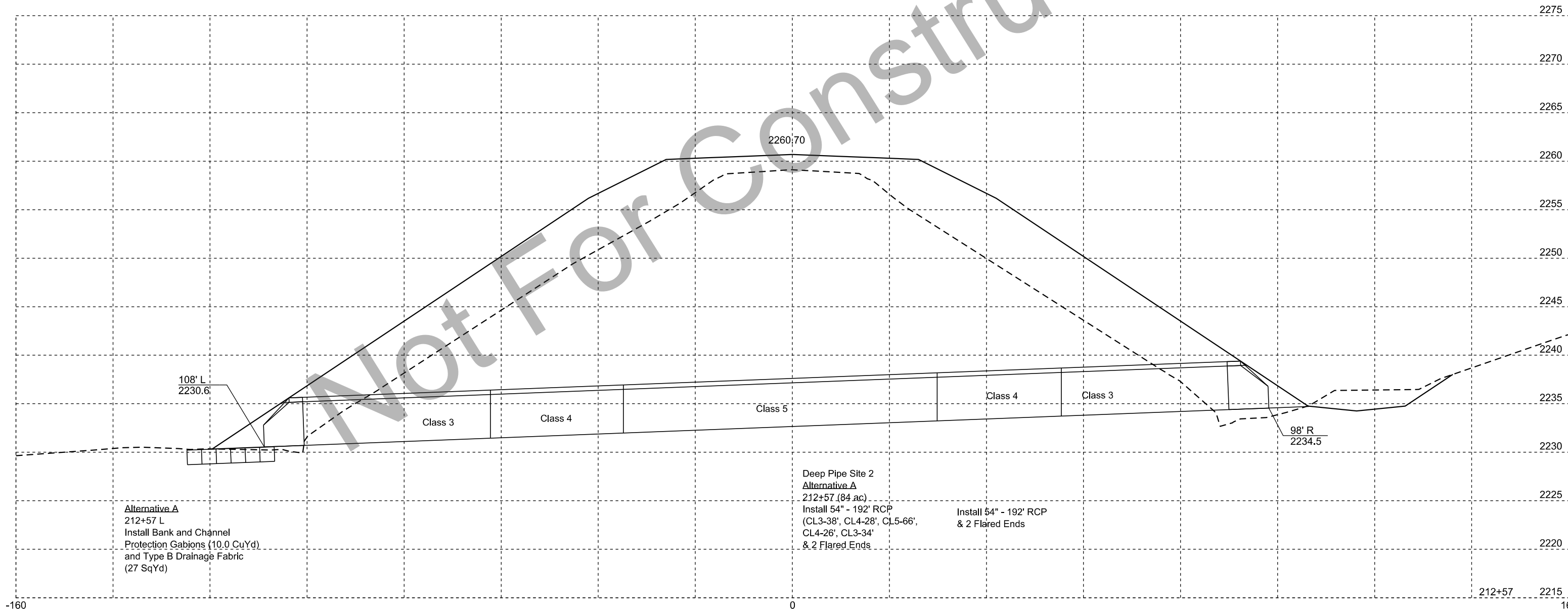
0

STATE OF SOUTH DAKOTA	PROJECT	SHEET	TOTAL SHEETS
	NH 0012(206)112	Z12	Z28

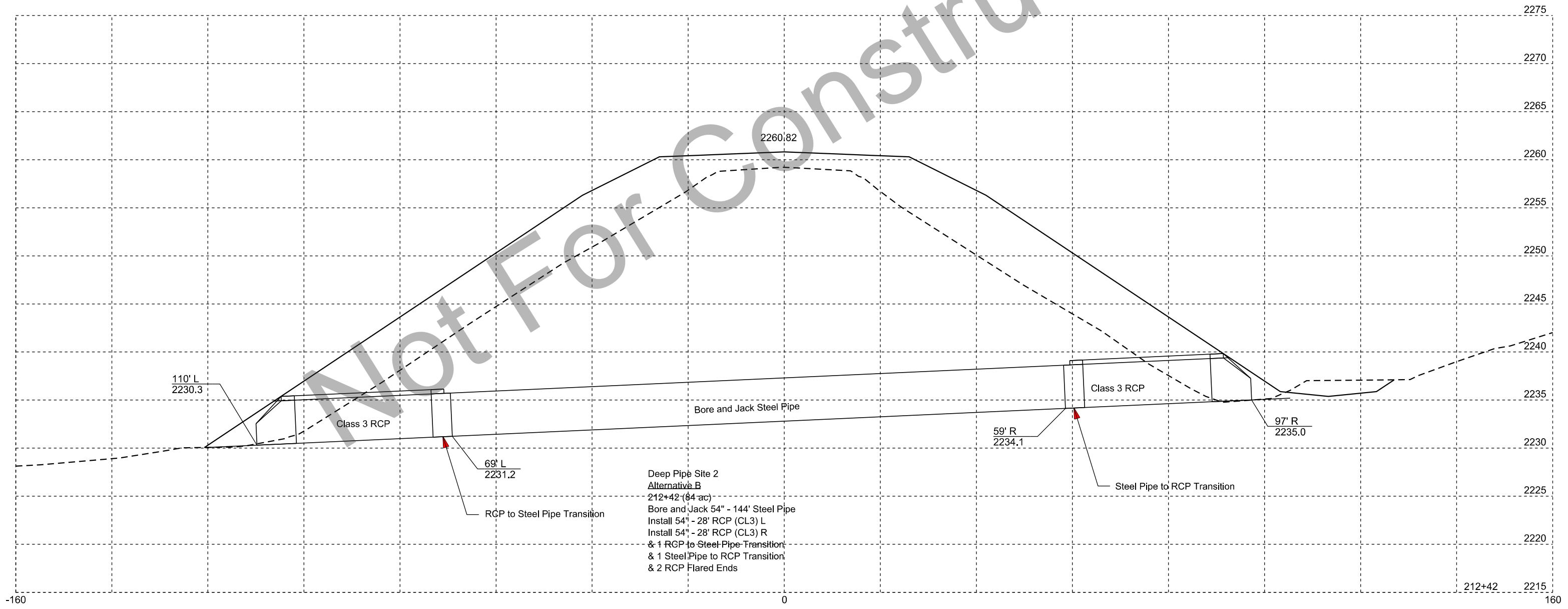
Not For Construction



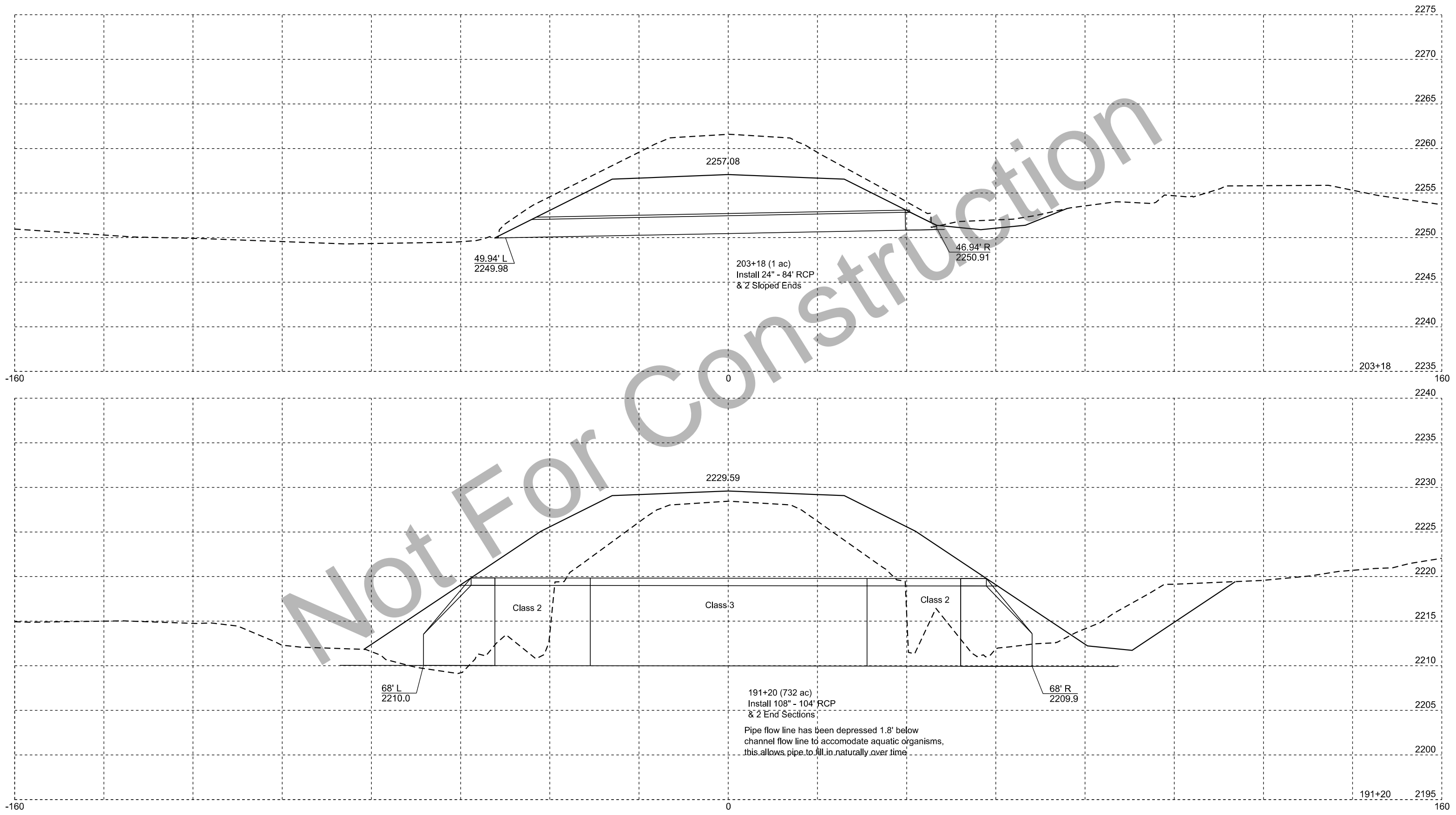
STATE OF SOUTH DAKOTA	PROJECT	SHEET	TOTAL SHEETS
	NH 0012(206)112	Z13	Z28



STATE OF SOUTH DAKOTA	PROJECT	SHEET	TOTAL SHEETS
	NH 0012(206)112	Z14	Z28

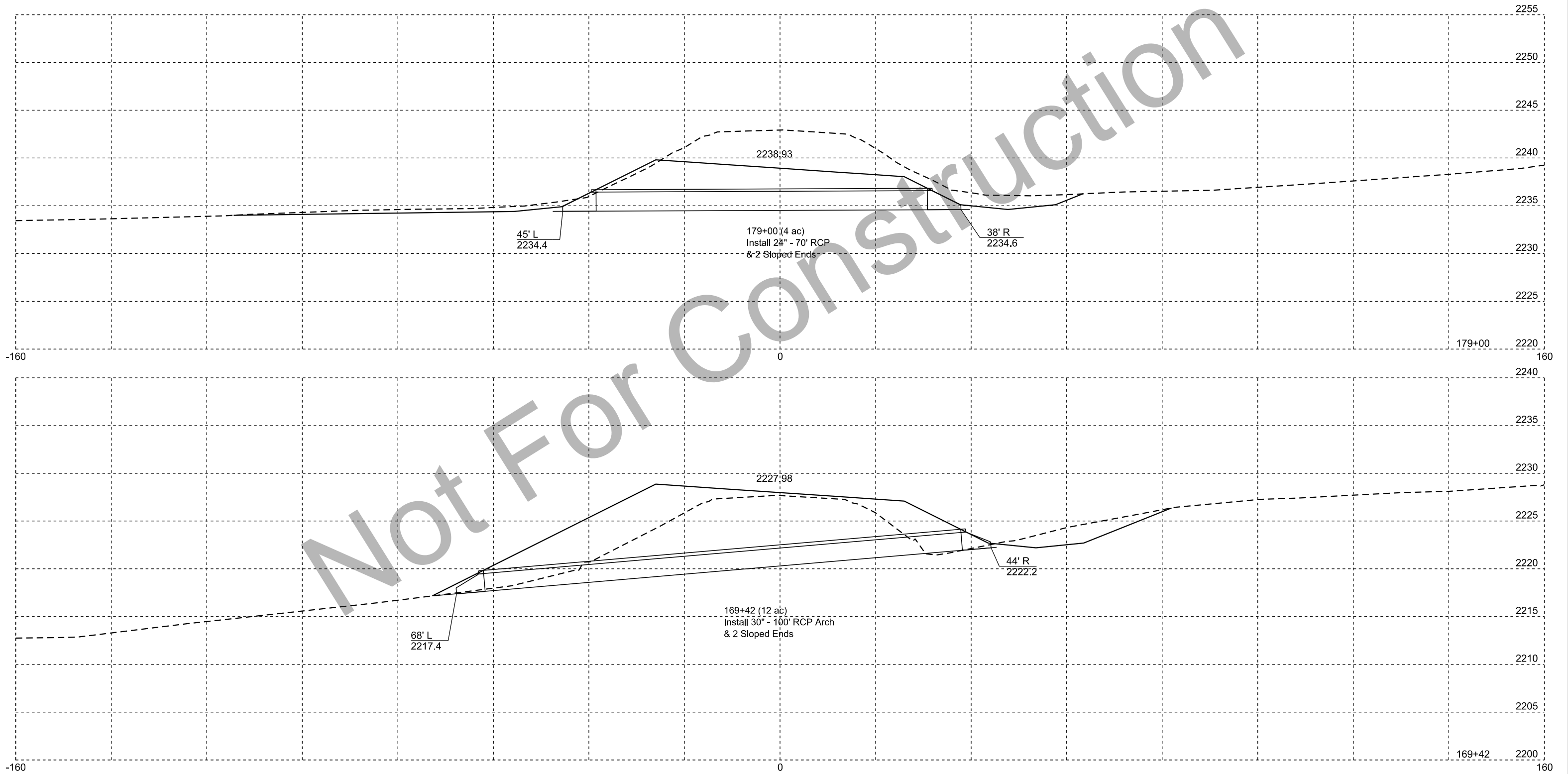


STATE OF SOUTH DAKOTA	PROJECT	SHEET	TOTAL SHEETS
	NH 0012(206)112	Z15	Z28

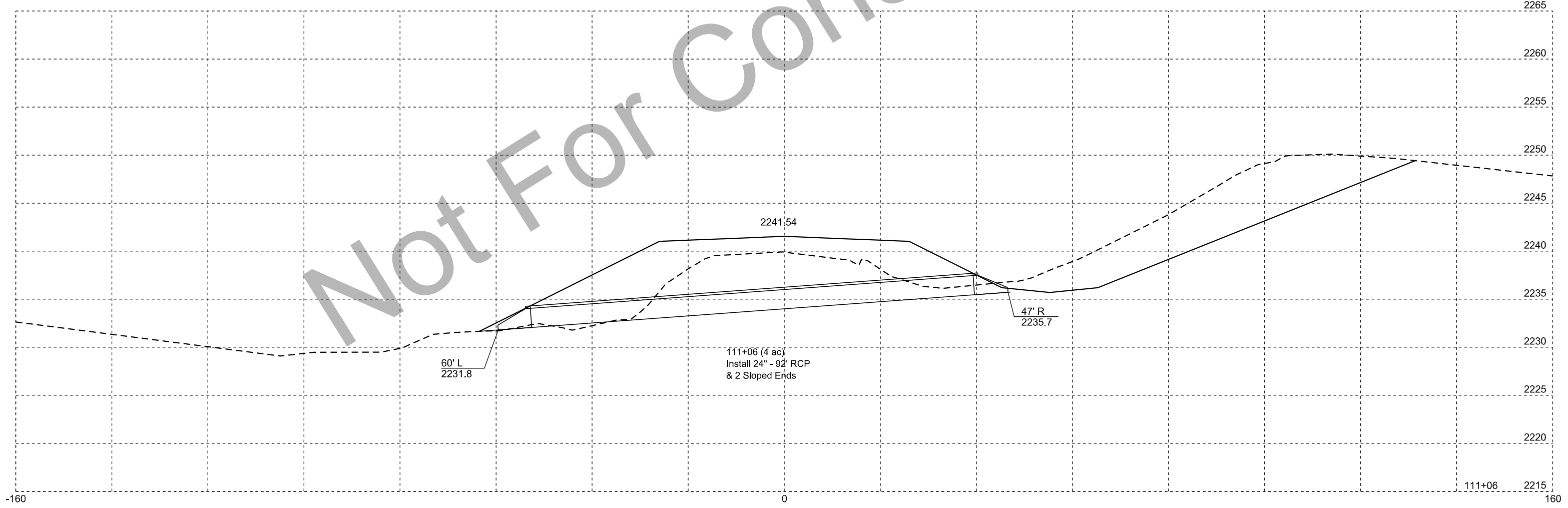
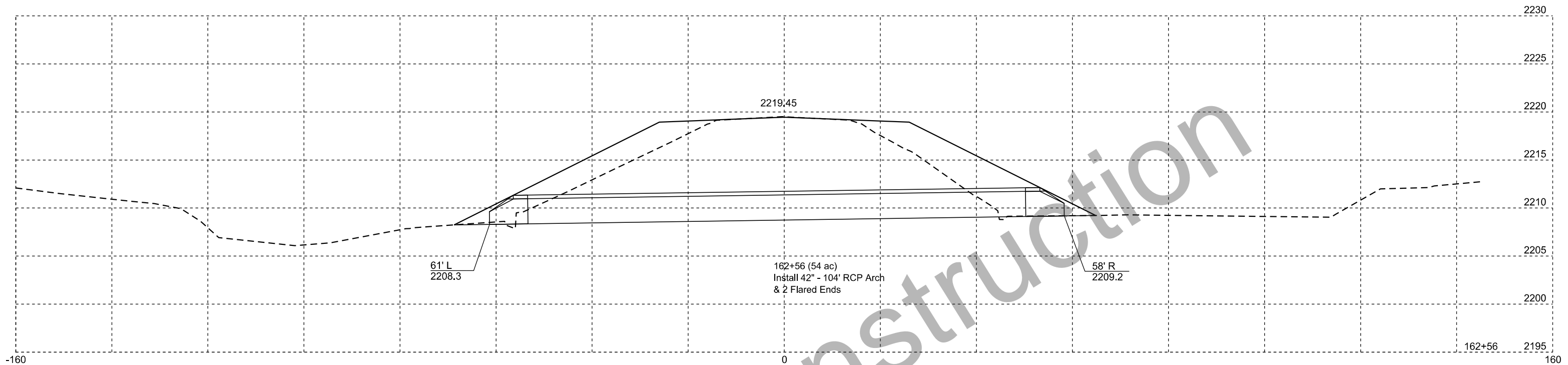


Not For Construction

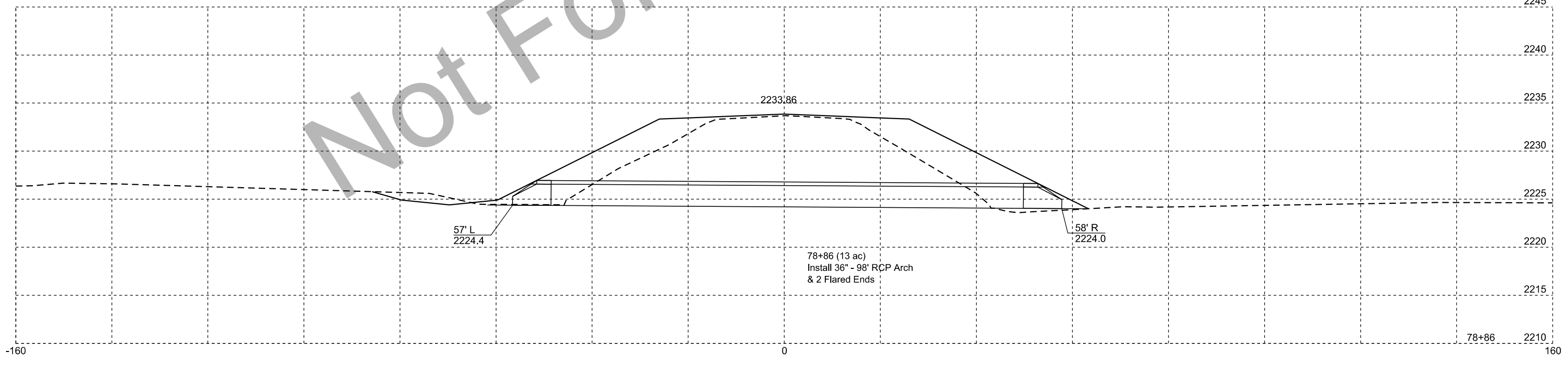
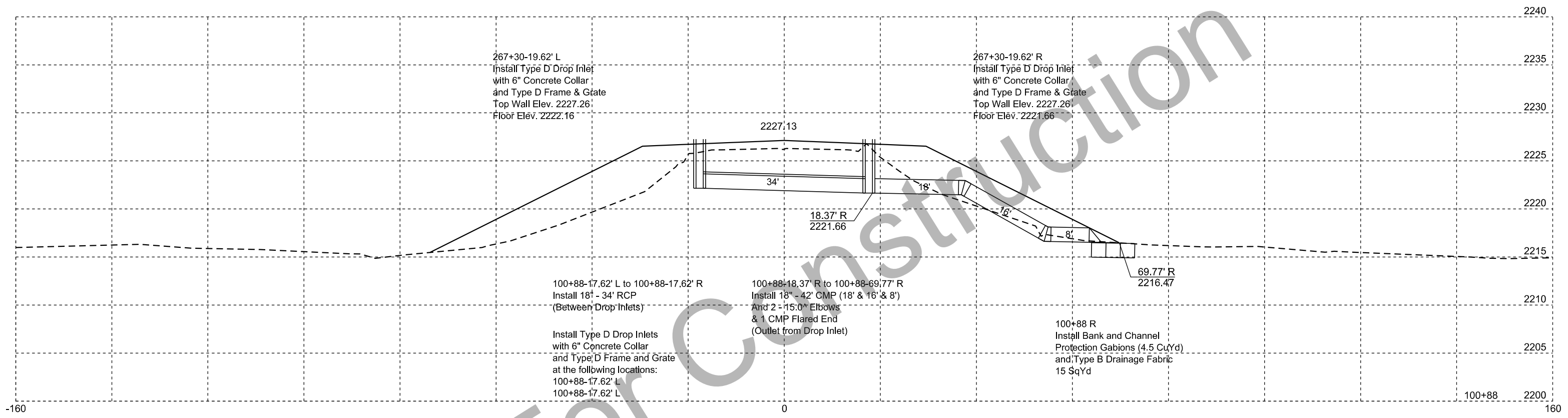
STATE OF SOUTH DAKOTA	PROJECT	SHEET	TOTAL SHEETS
	NH 0012(206)112	Z16	Z28



STATE OF SOUTH DAKOTA	PROJECT	SHEET	TOTAL SHEETS
	NH 0012(206)112	Z17	Z28

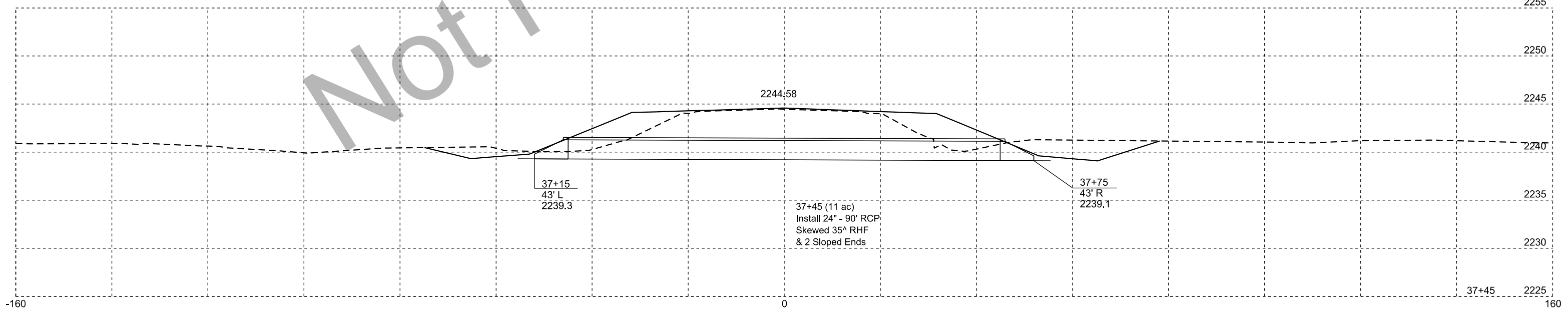
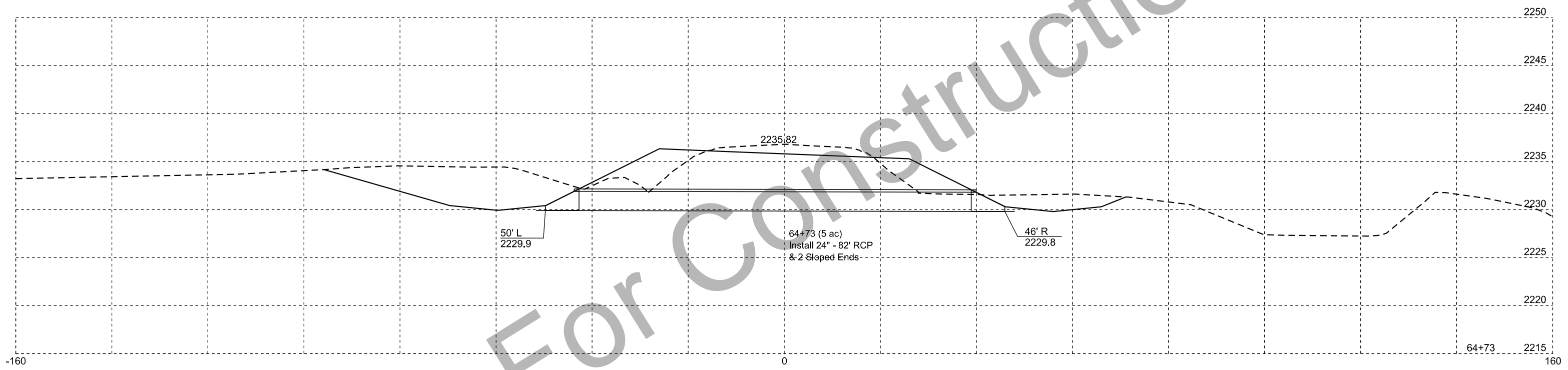


STATE OF SOUTH DAKOTA	PROJECT	SHEET	TOTAL SHEETS
	NH 0012(206)112	Z18	Z28

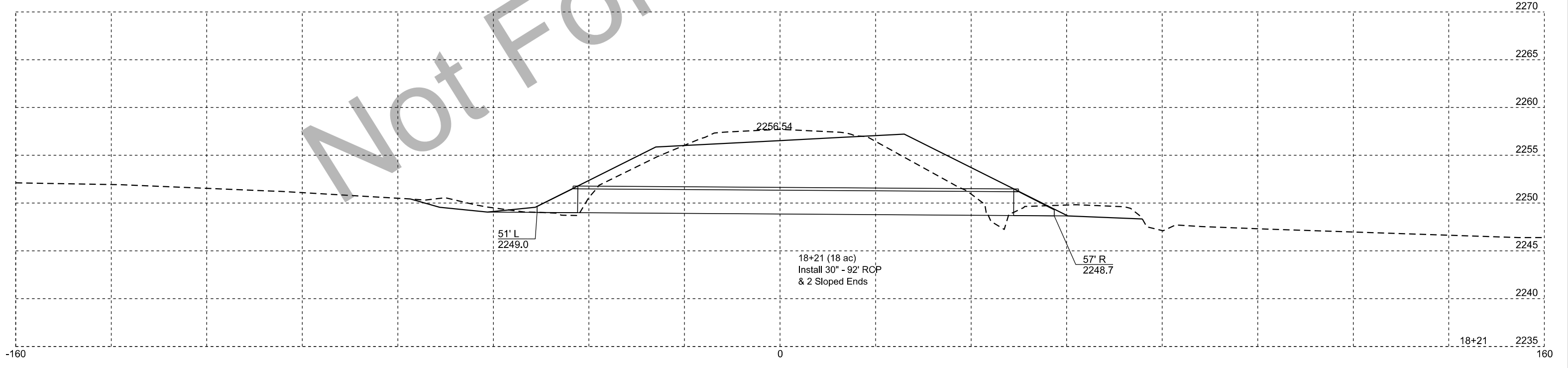
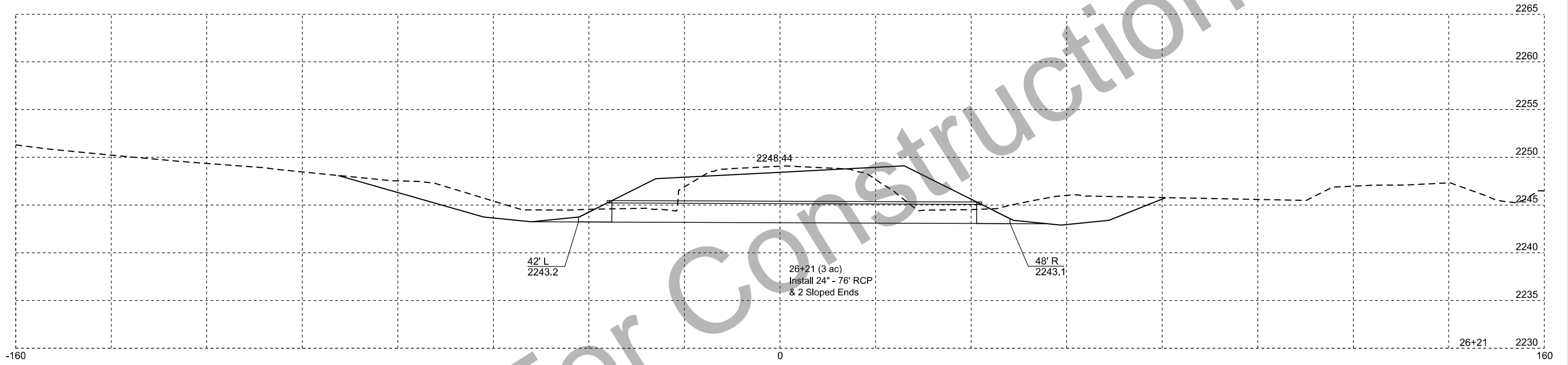


Not For Construction

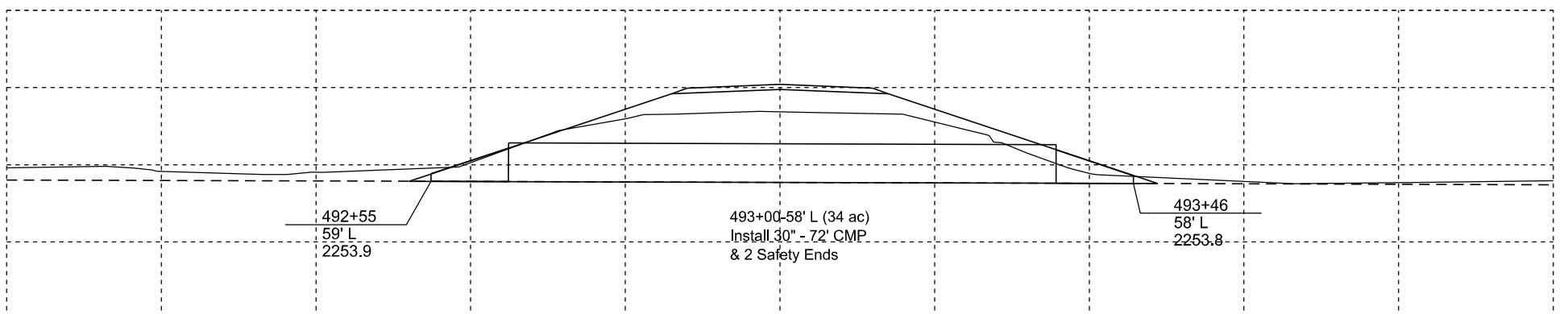
STATE OF SOUTH DAKOTA	PROJECT	SHEET	TOTAL SHEETS
	NH 0012(206)112	Z19	Z28



STATE OF SOUTH DAKOTA	PROJECT	SHEET	TOTAL SHEETS
	NH 0012(206)112	Z20	Z28

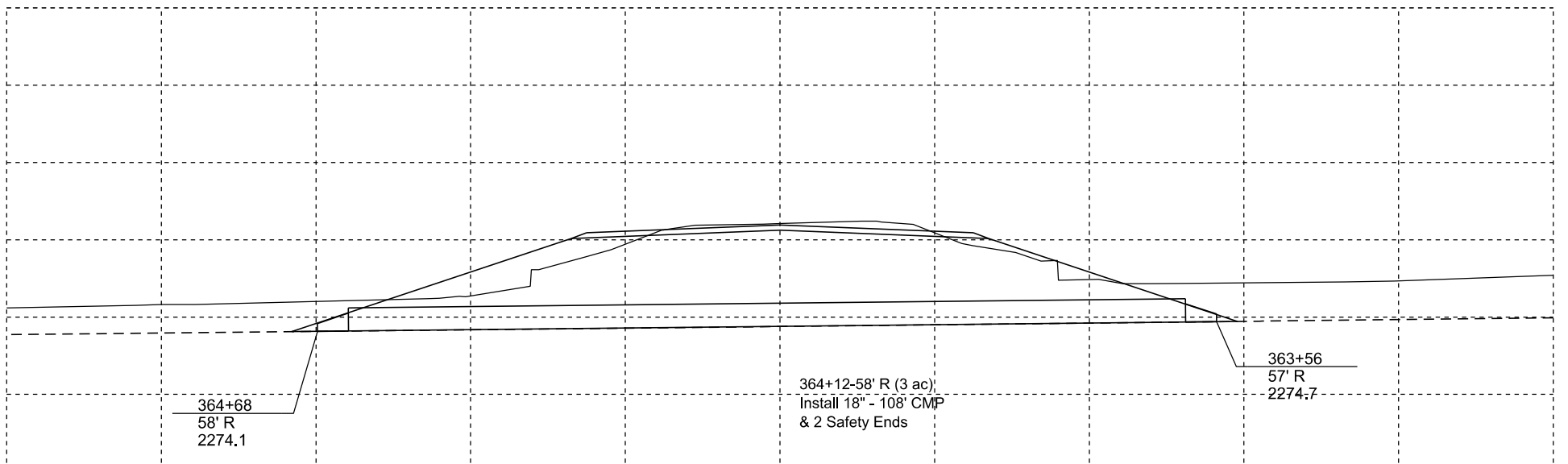
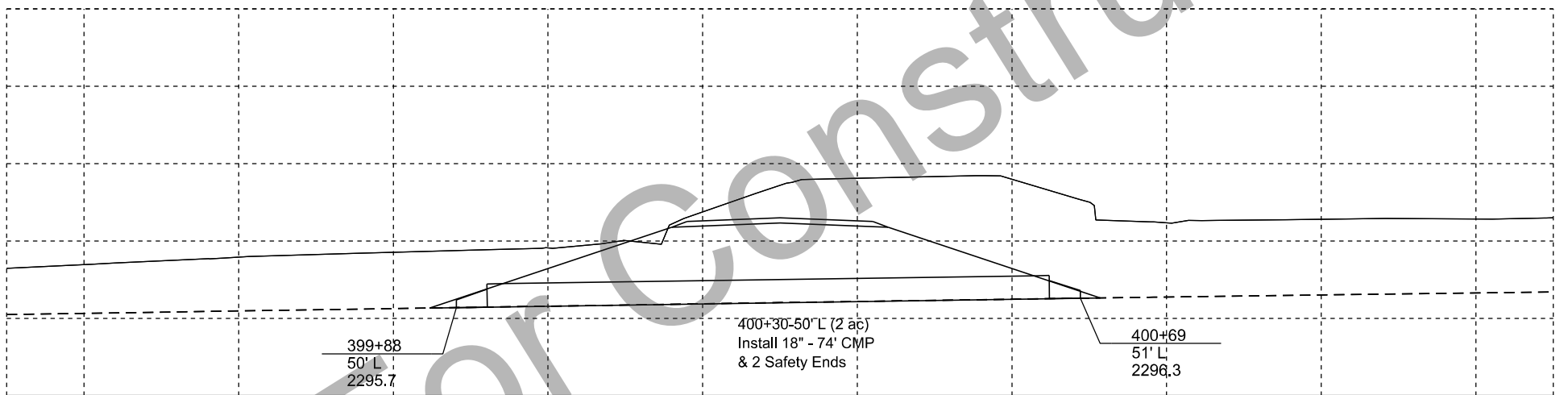
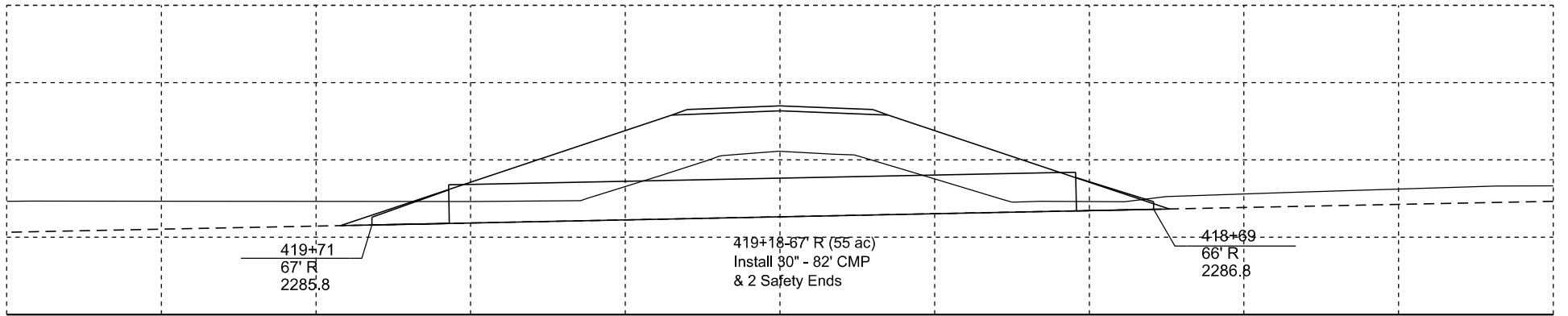


Not For Construction

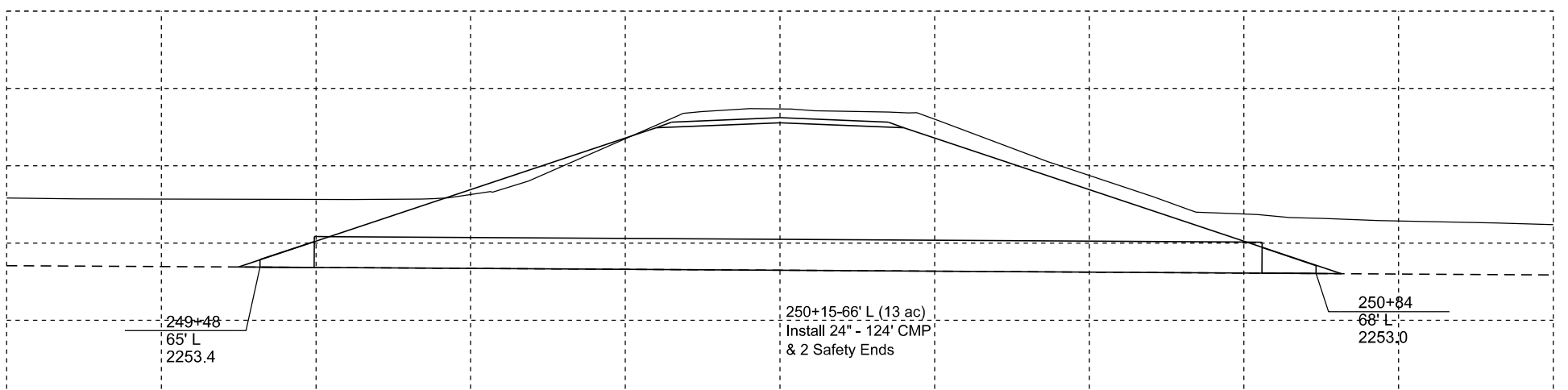
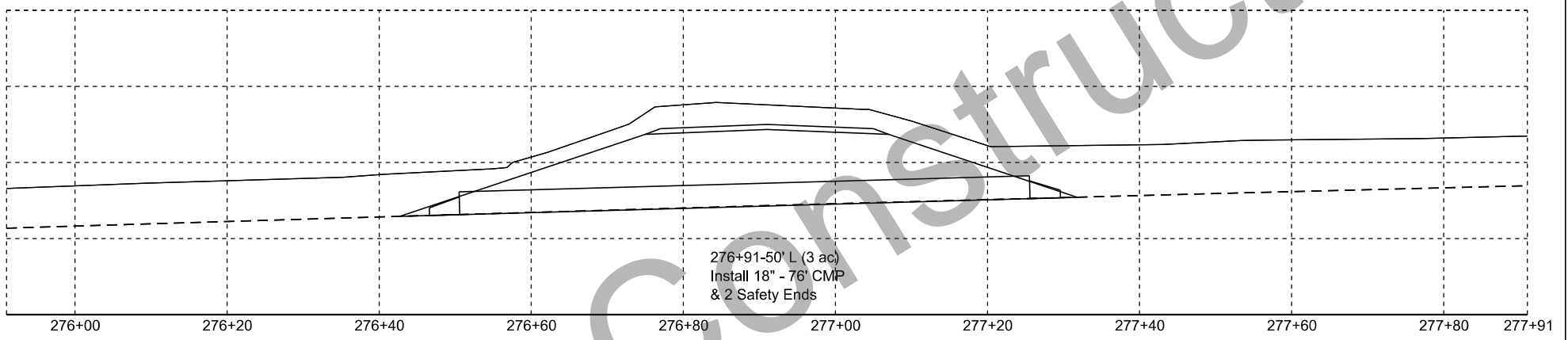
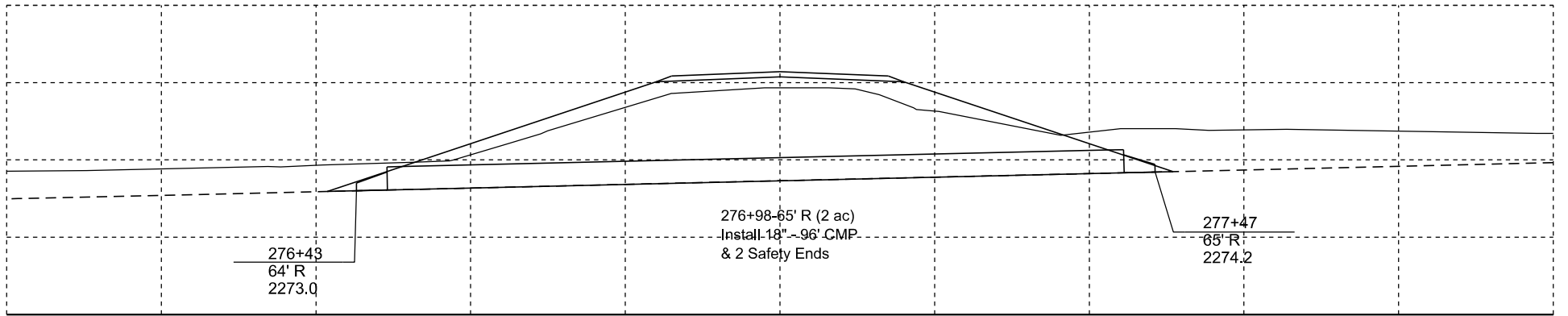


Plotting Date: 01/21/2021

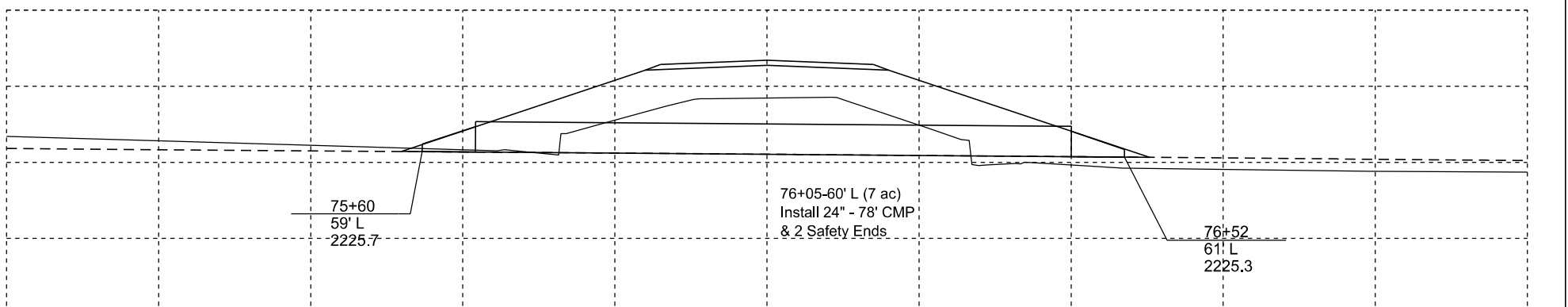
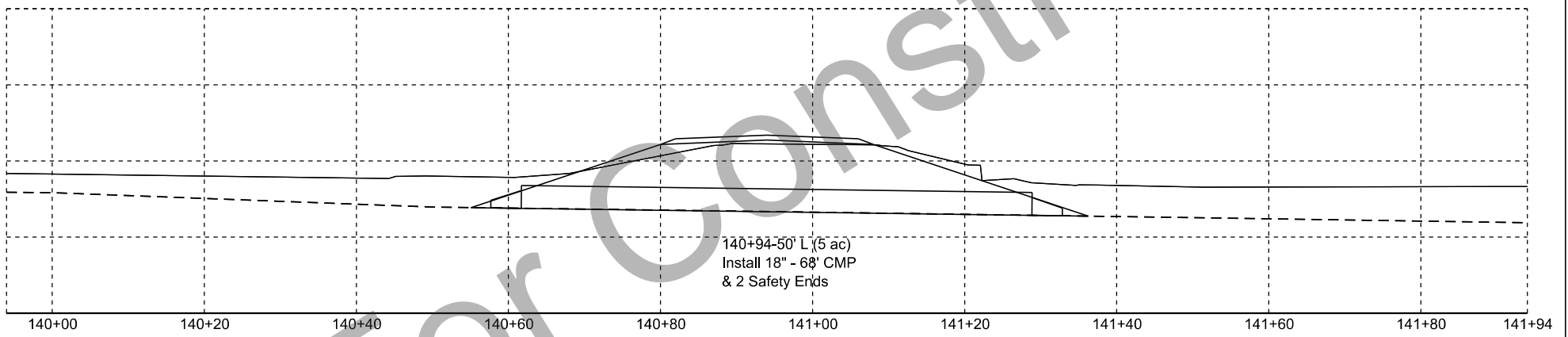
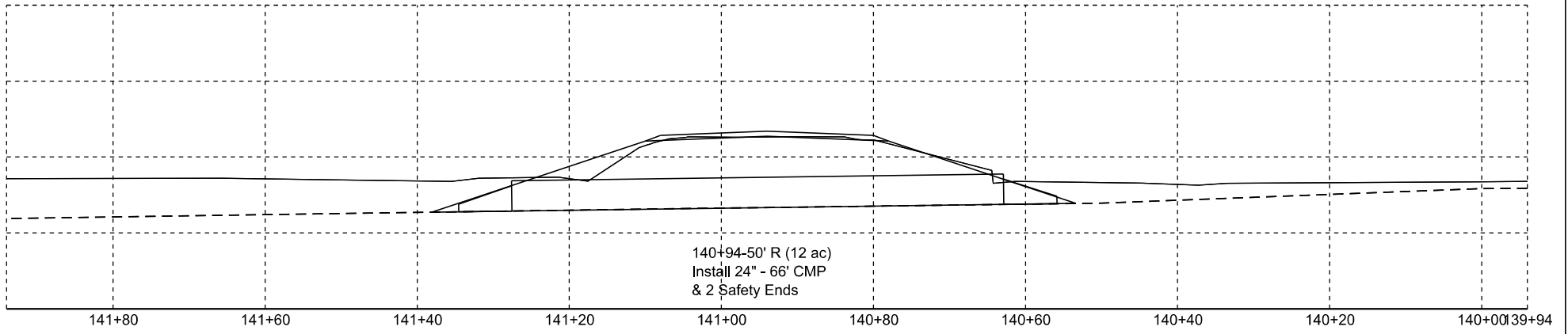
STATE OF SOUTH DAKOTA	PROJECT	SHEET NO.	TOTAL SHEETS
	NH 0012(206)112	Z21	Z28



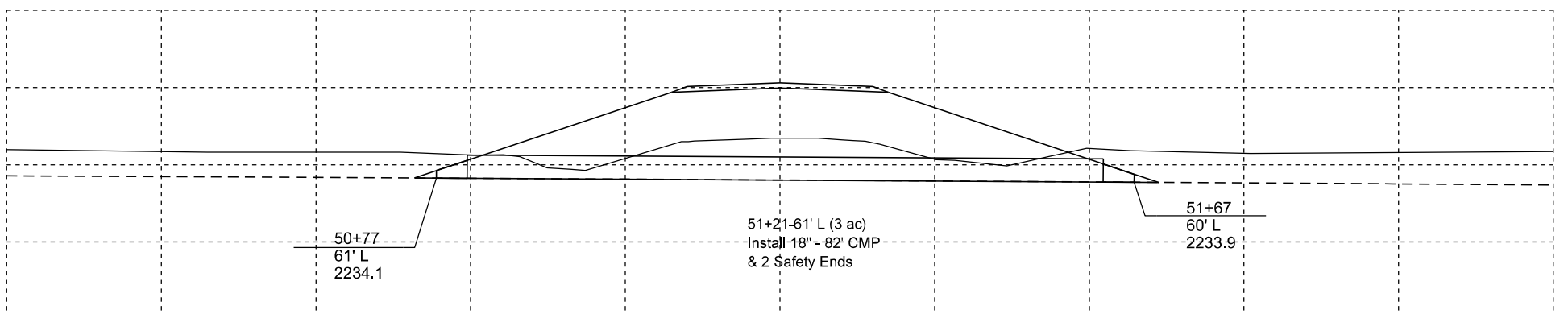
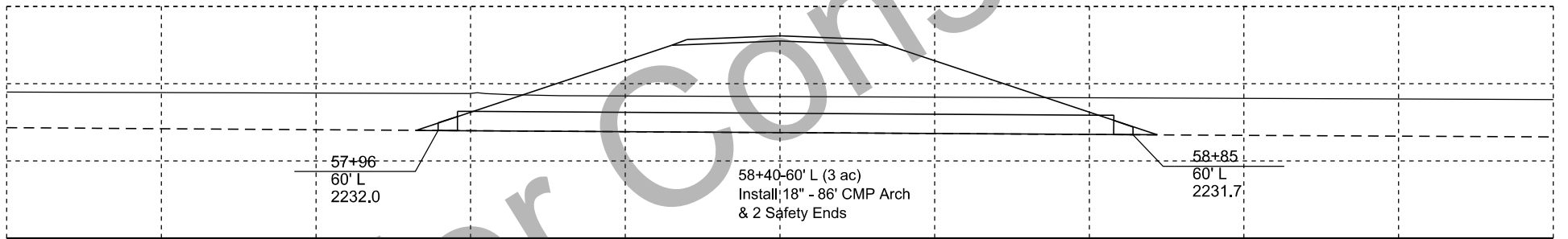
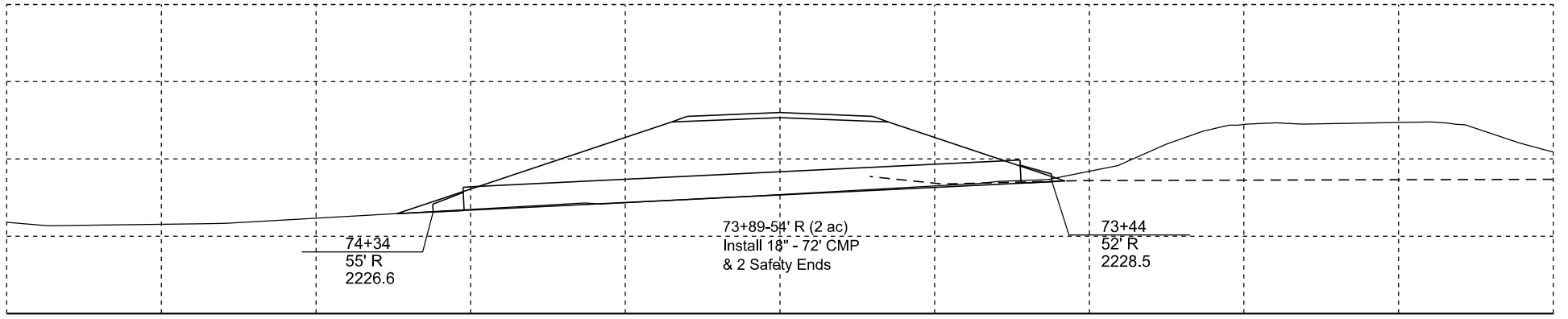
Not For Construction



Not For Construction



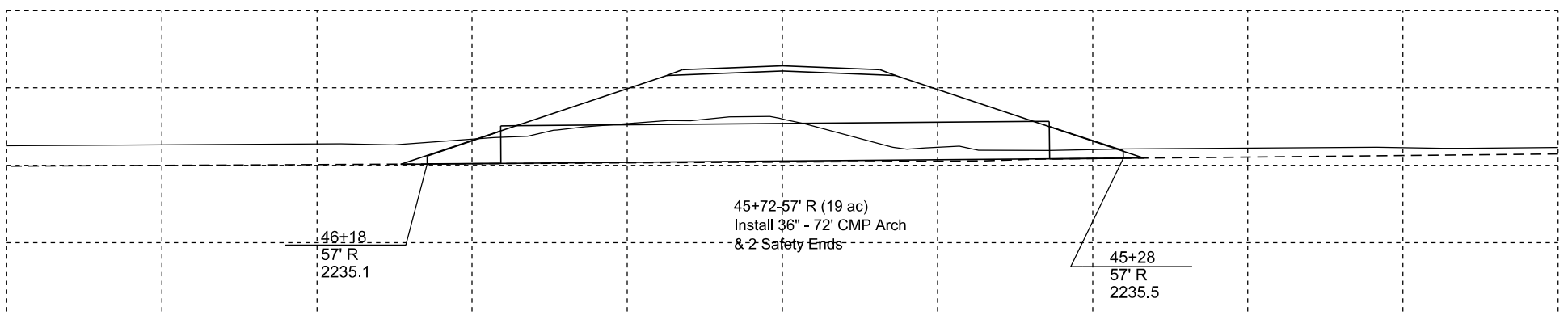
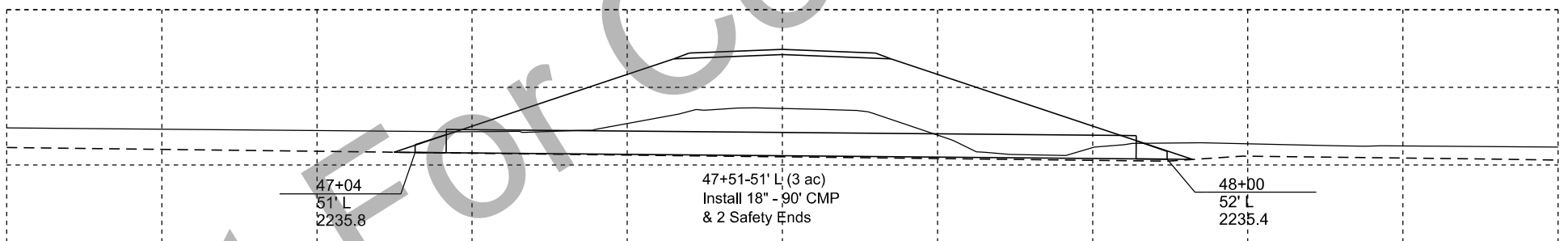
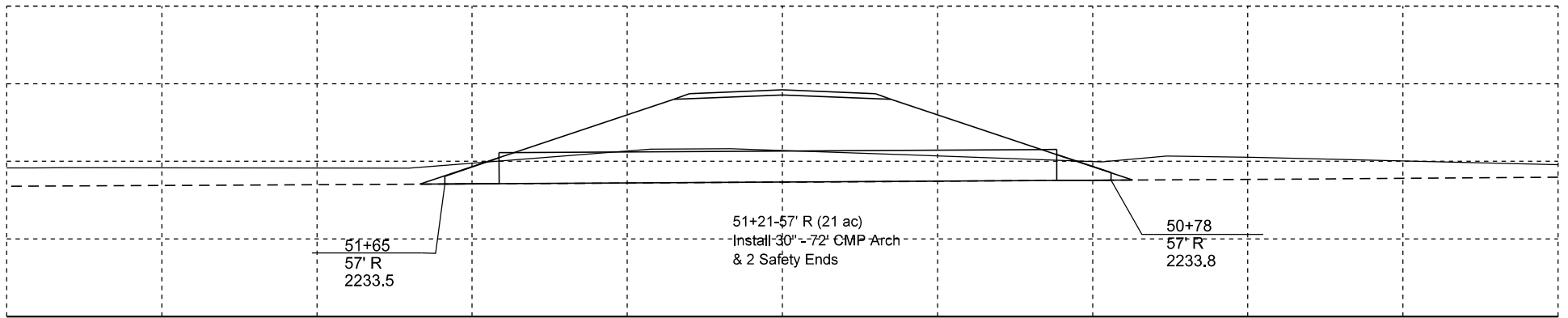
Not For Construction



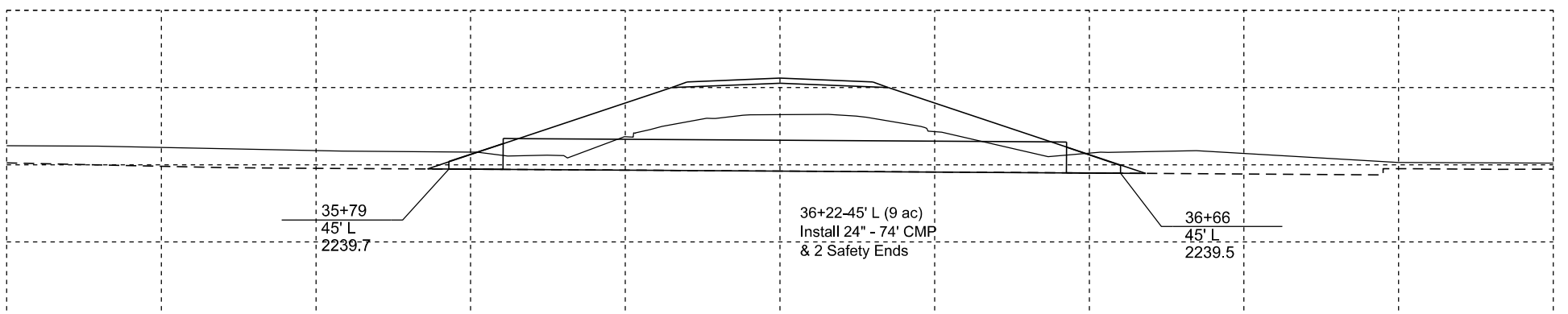
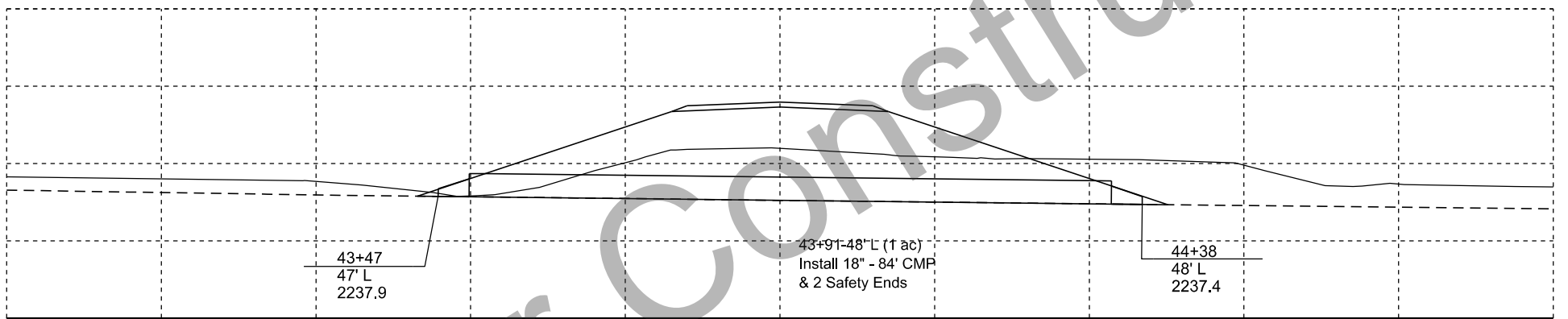
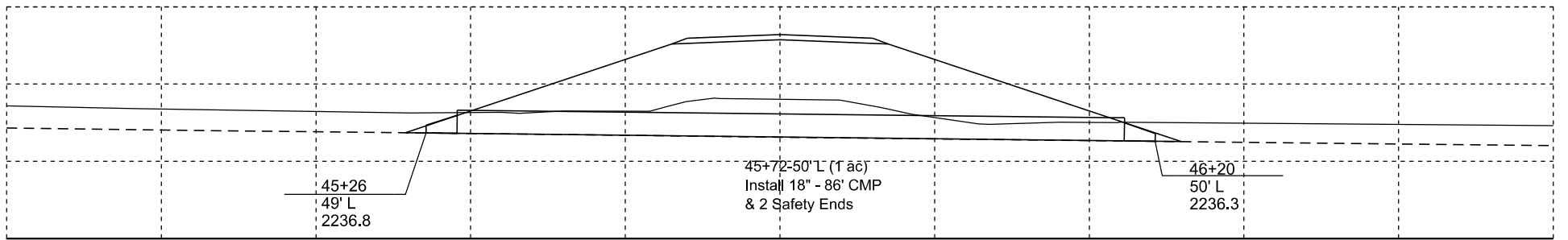
Not For Construction

STATE OF SOUTH DAKOTA	PROJECT	SHEET NO.	TOTAL SHEETS
	NH 0012(206)112	Z25	Z28

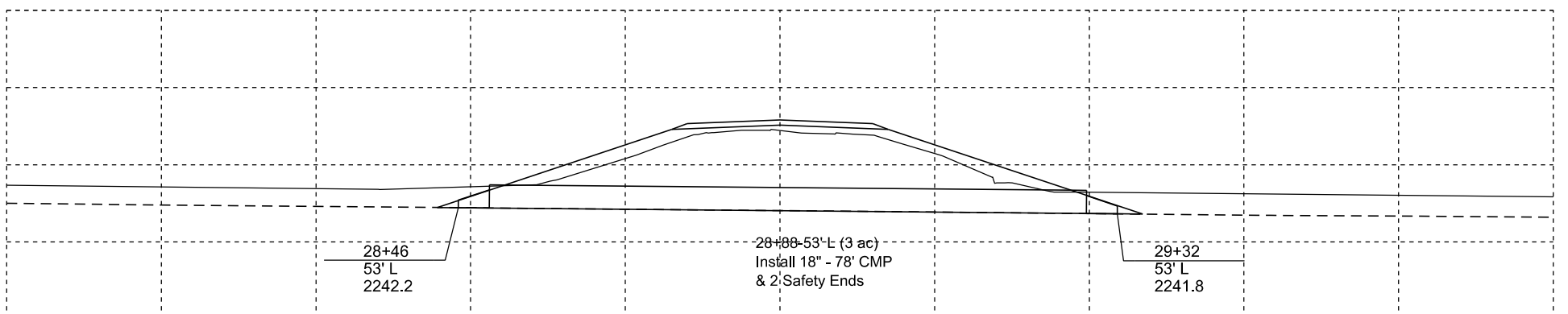
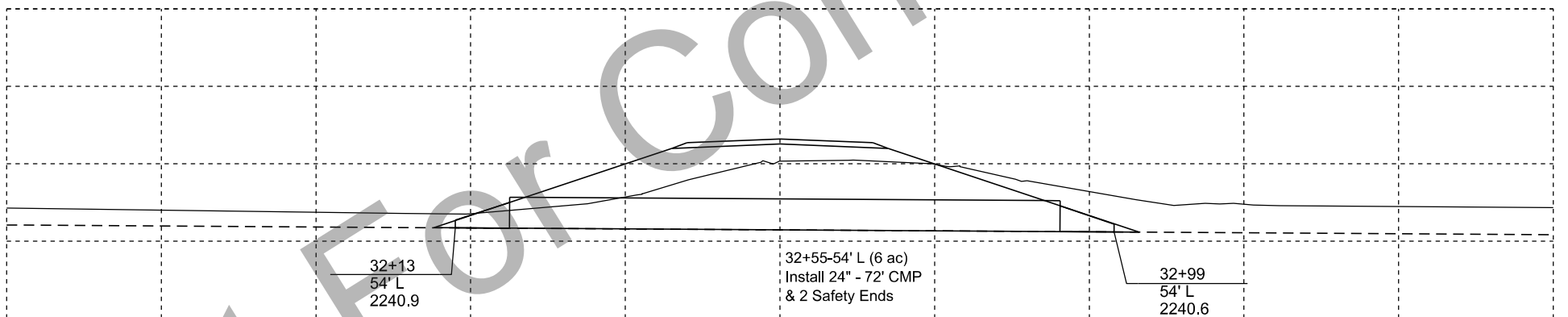
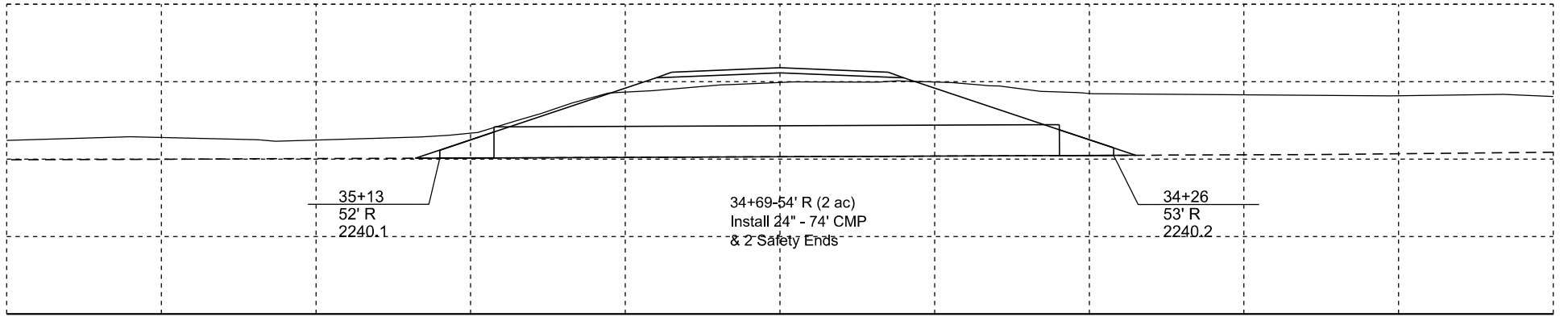
Plotting Date: 01/21/2021



Not For Construction



Not For Construction



Not For Construction