

# SECTION X: CROSS SECTIONS

STATE OF SOUTH DAKOTA	PROJECT	SHEET	TOTAL SHEETS
	NH 0012(206)112	X1	X185

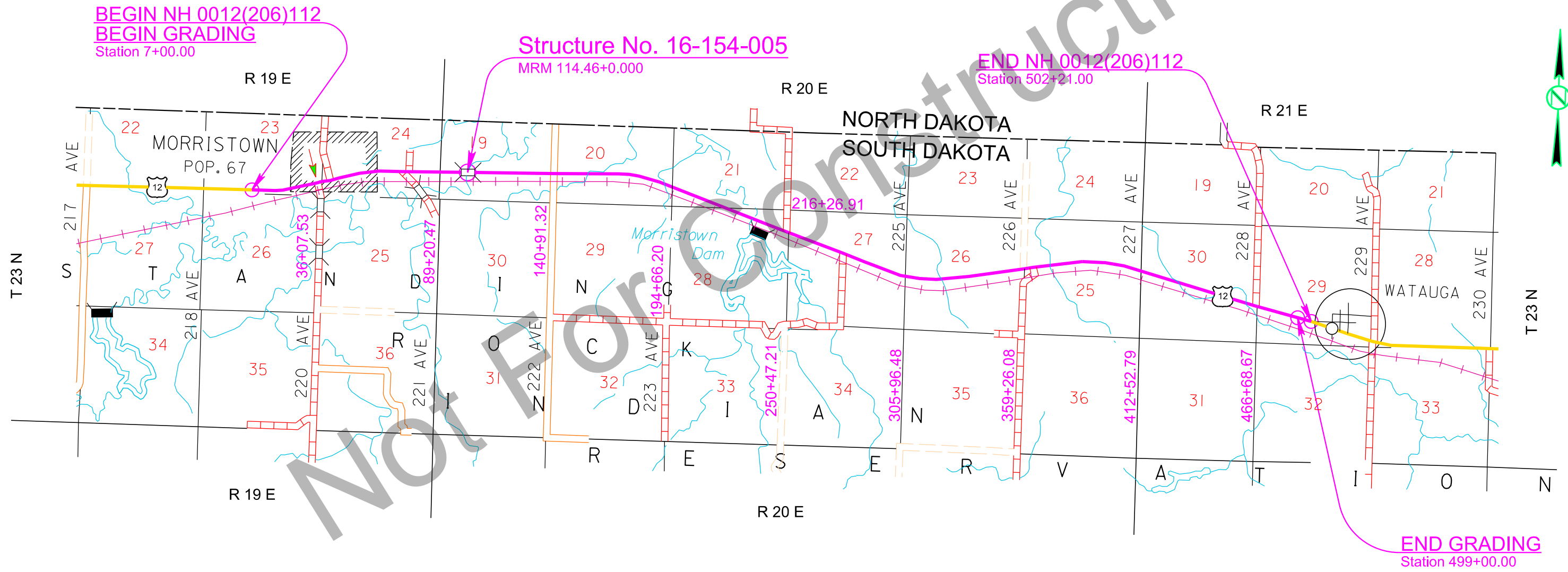
Plotting Date: 01/18/2022

## INDEX OF SHEETS

X1	General Layout with Index
X2-X?	Soil Blocks
X?-X?	Cross Sections

Plot Scale - 1:200

Plotted From - TRPR14077

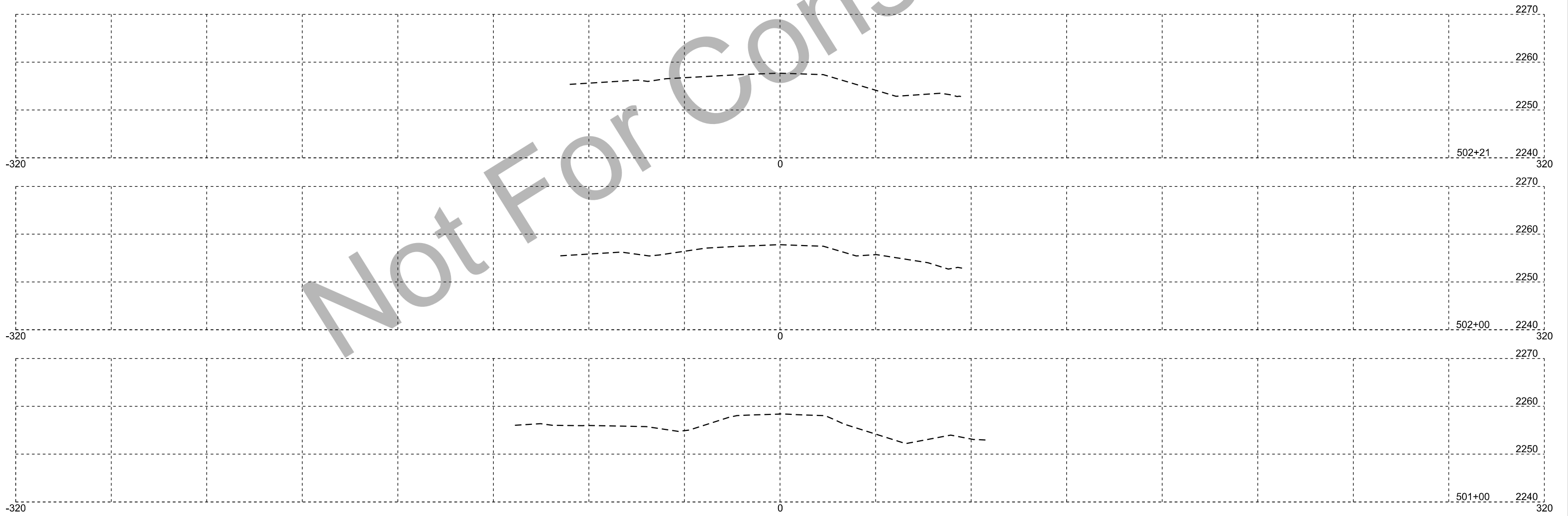


File - U:\traj\proj\Cons05\HW\TitleX.dgn

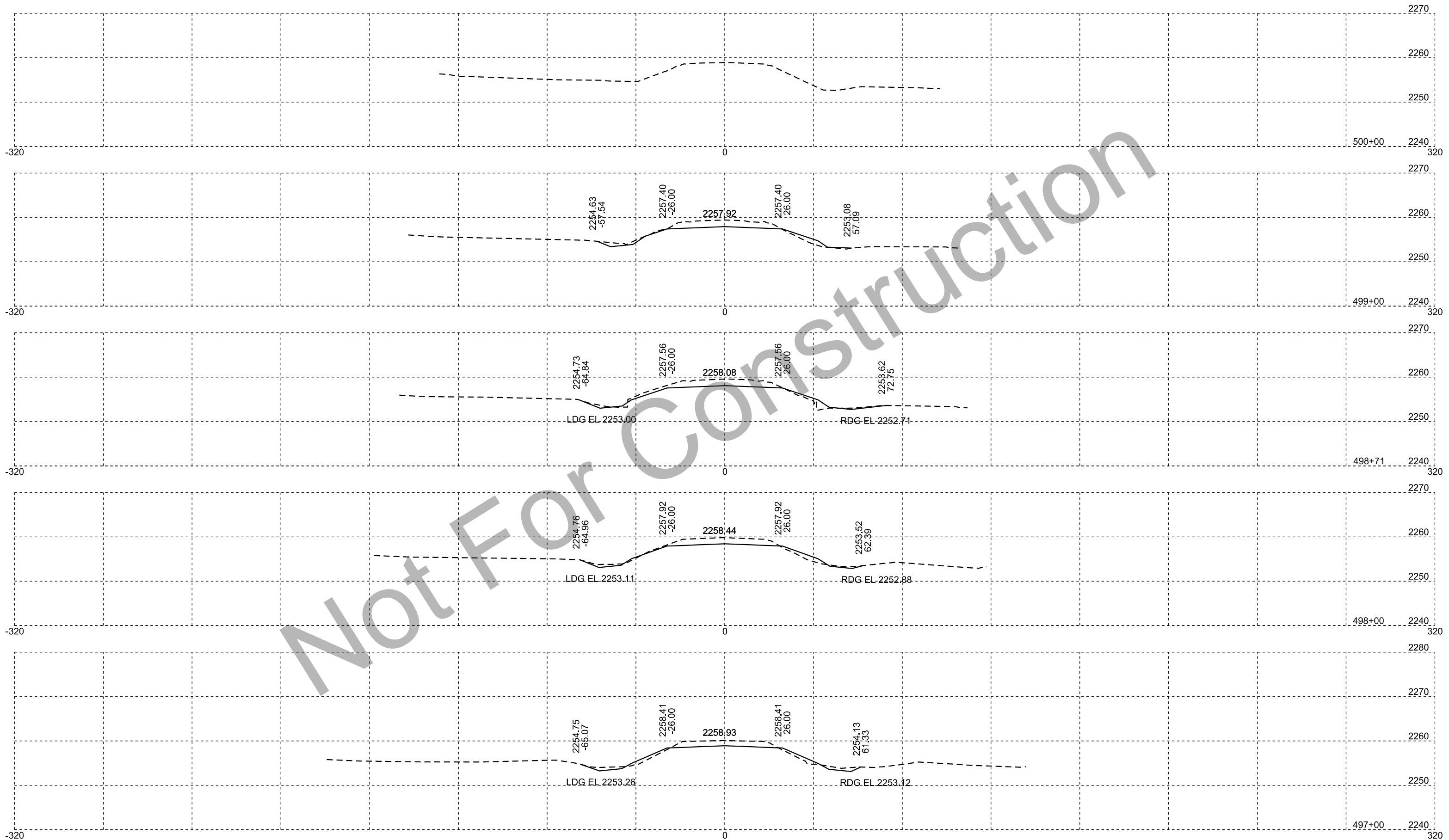
Plotting Date: 01/18/2022

STATE OF SOUTH DAKOTA	PROJECT	SHEET	TOTAL SHEETS
	NH 0012(206)112	X2	X185

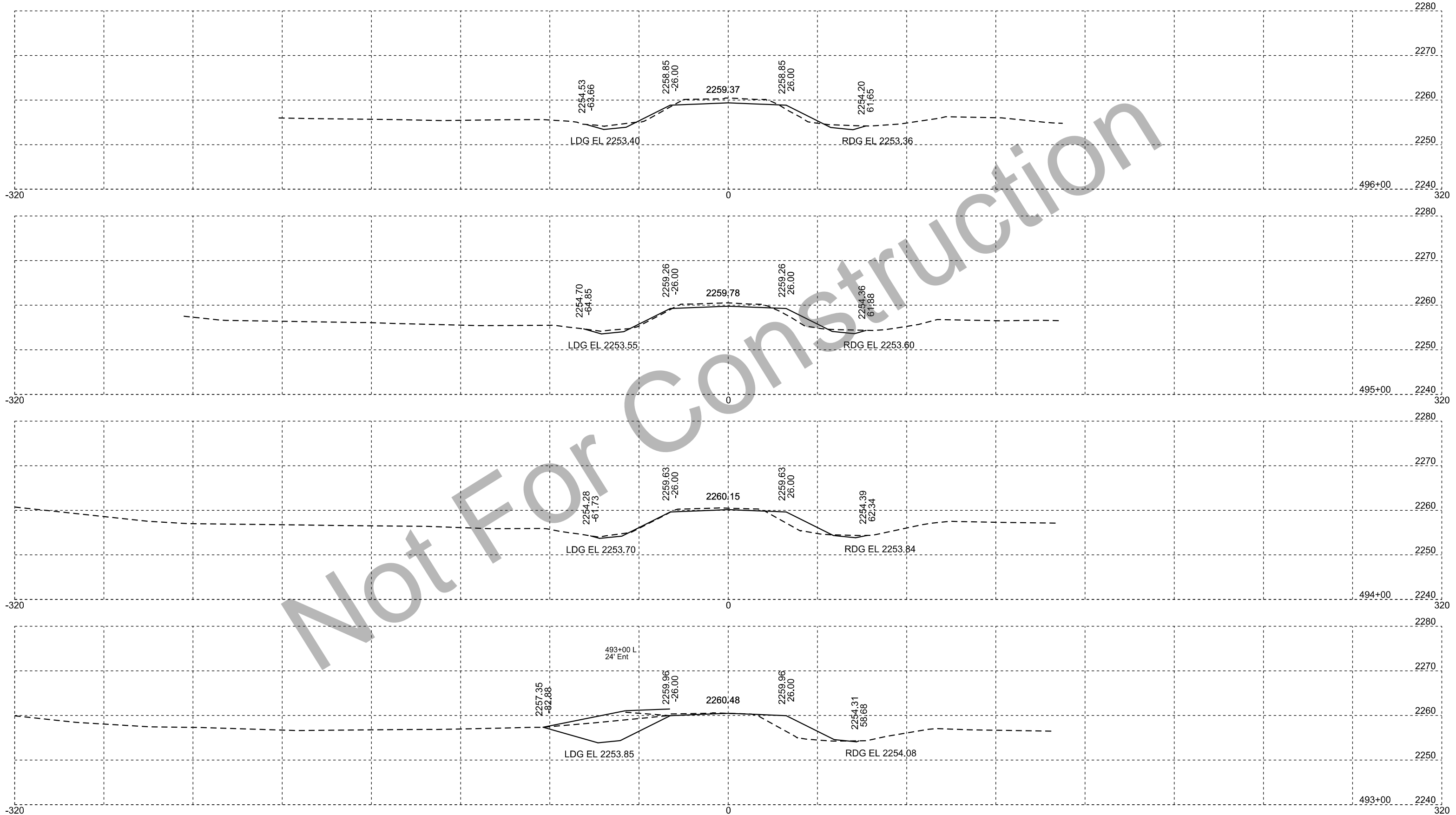
Not For Construction



STATE OF SOUTH DAKOTA	PROJECT	SHEET	TOTAL SHEETS
	NH 0012(206)112	X3	X185

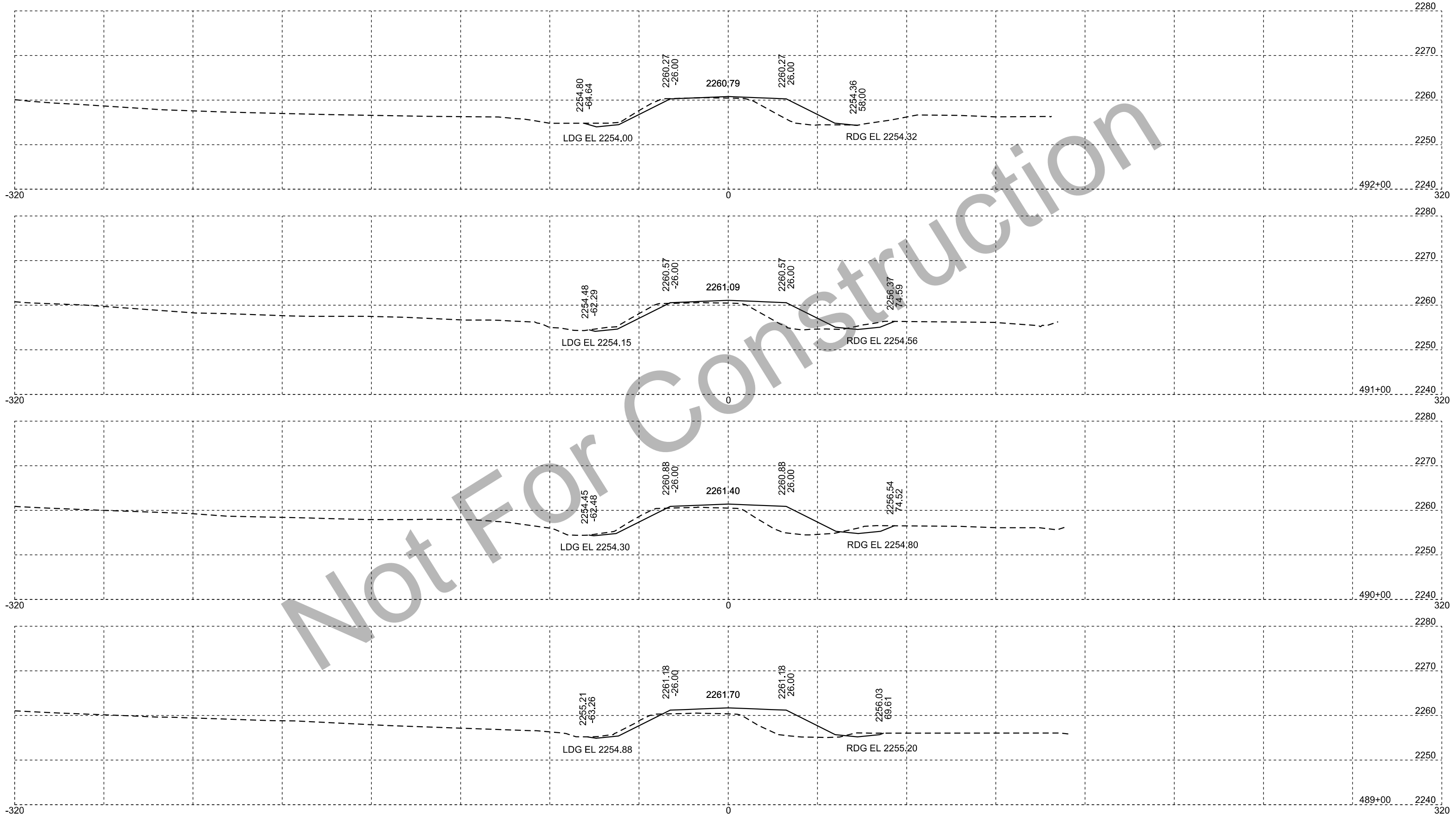


STATE OF SOUTH DAKOTA	PROJECT	SHEET	TOTAL SHEETS
	NH 0012(206)112	X4	X185



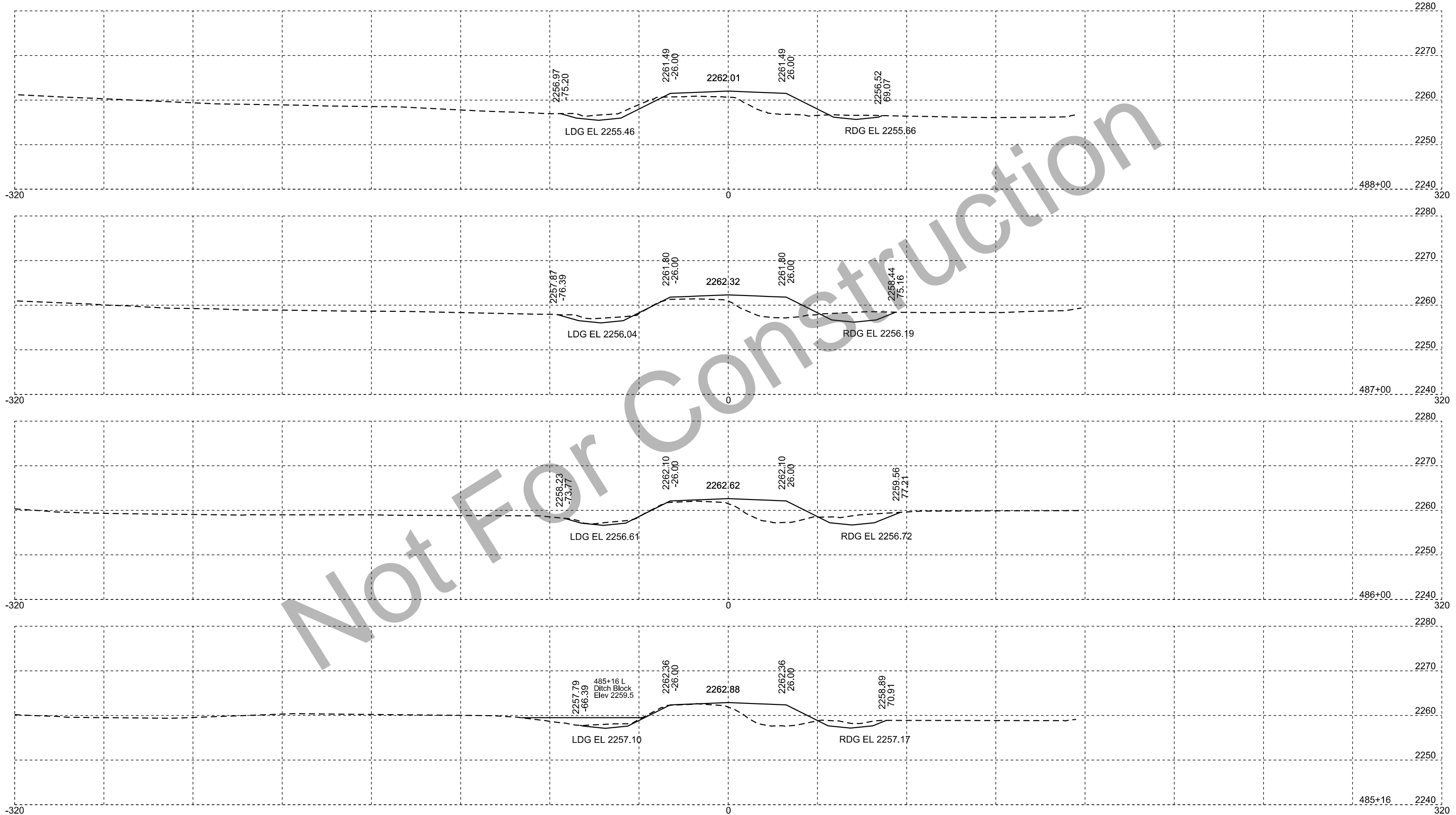
Not For Construction

STATE OF SOUTH DAKOTA	PROJECT	SHEET	TOTAL SHEETS
	NH 0012(206)112	X5	X185

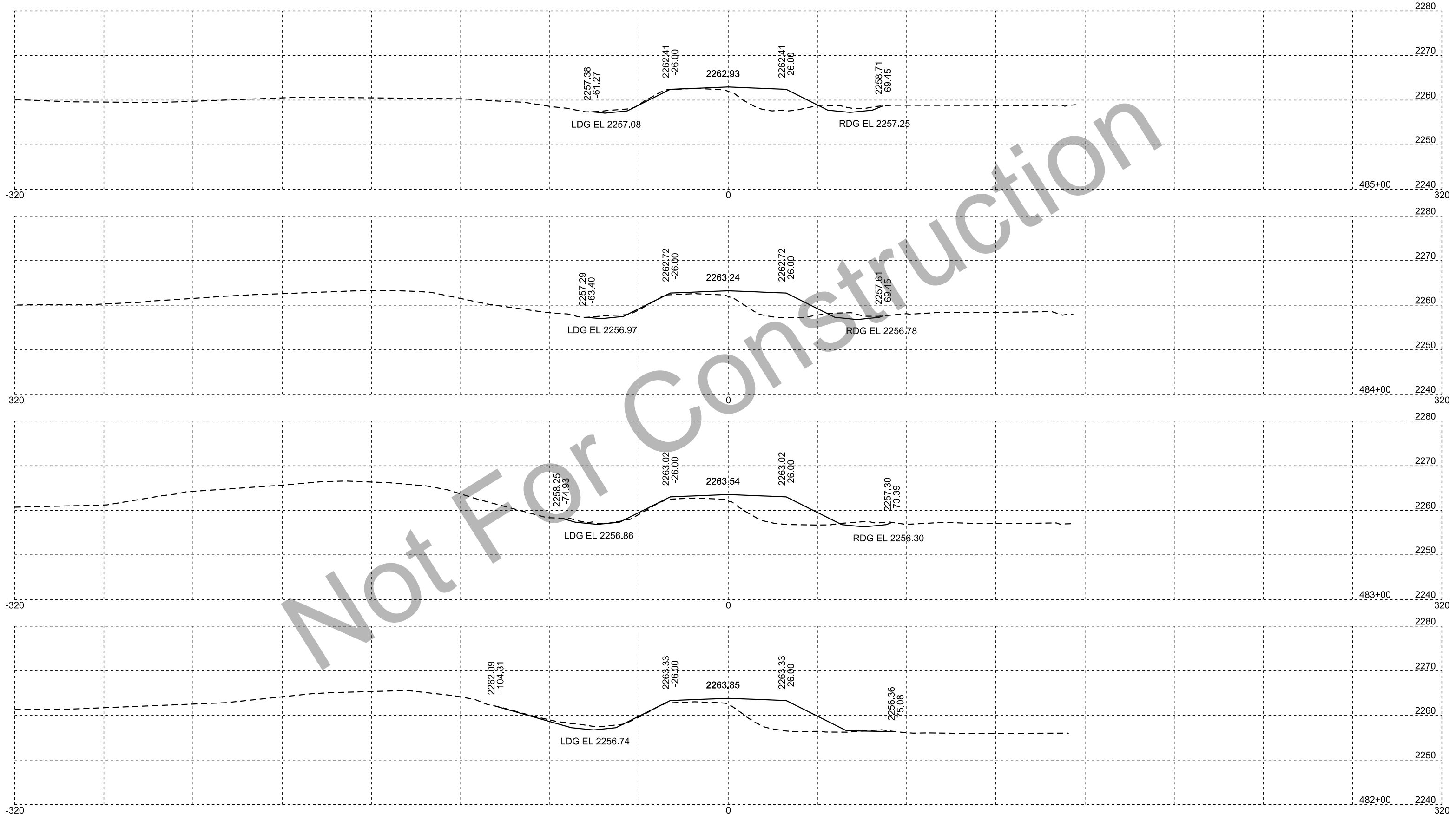


Not For Construction

STATE OF SOUTH DAKOTA	PROJECT	SHEET	TOTAL SHEETS
	NH 0012(206)112	X6	X185

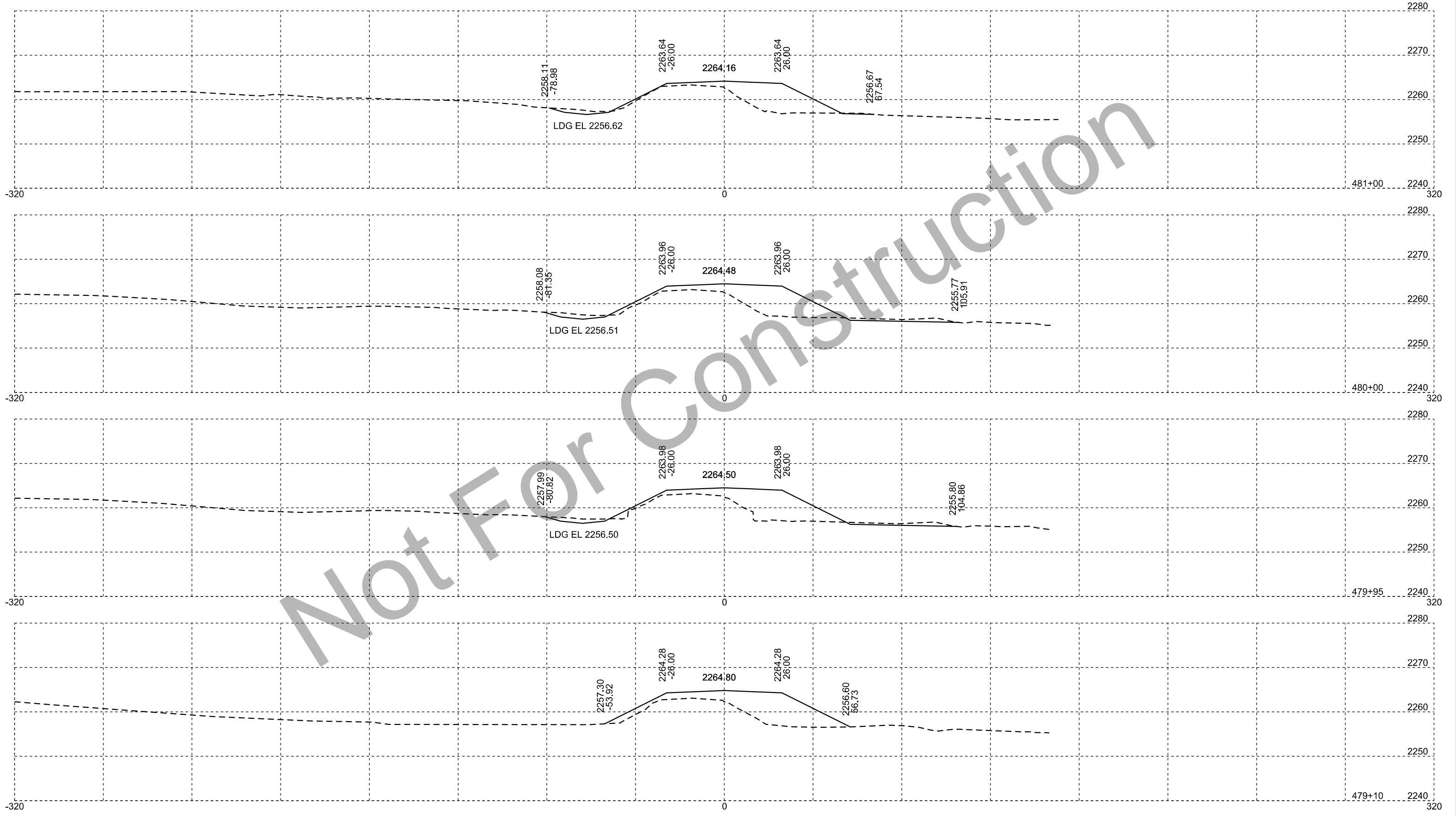


STATE OF SOUTH DAKOTA	PROJECT	SHEET	TOTAL SHEETS
	NH 0012(206)112	X7	X185



Not For Construction

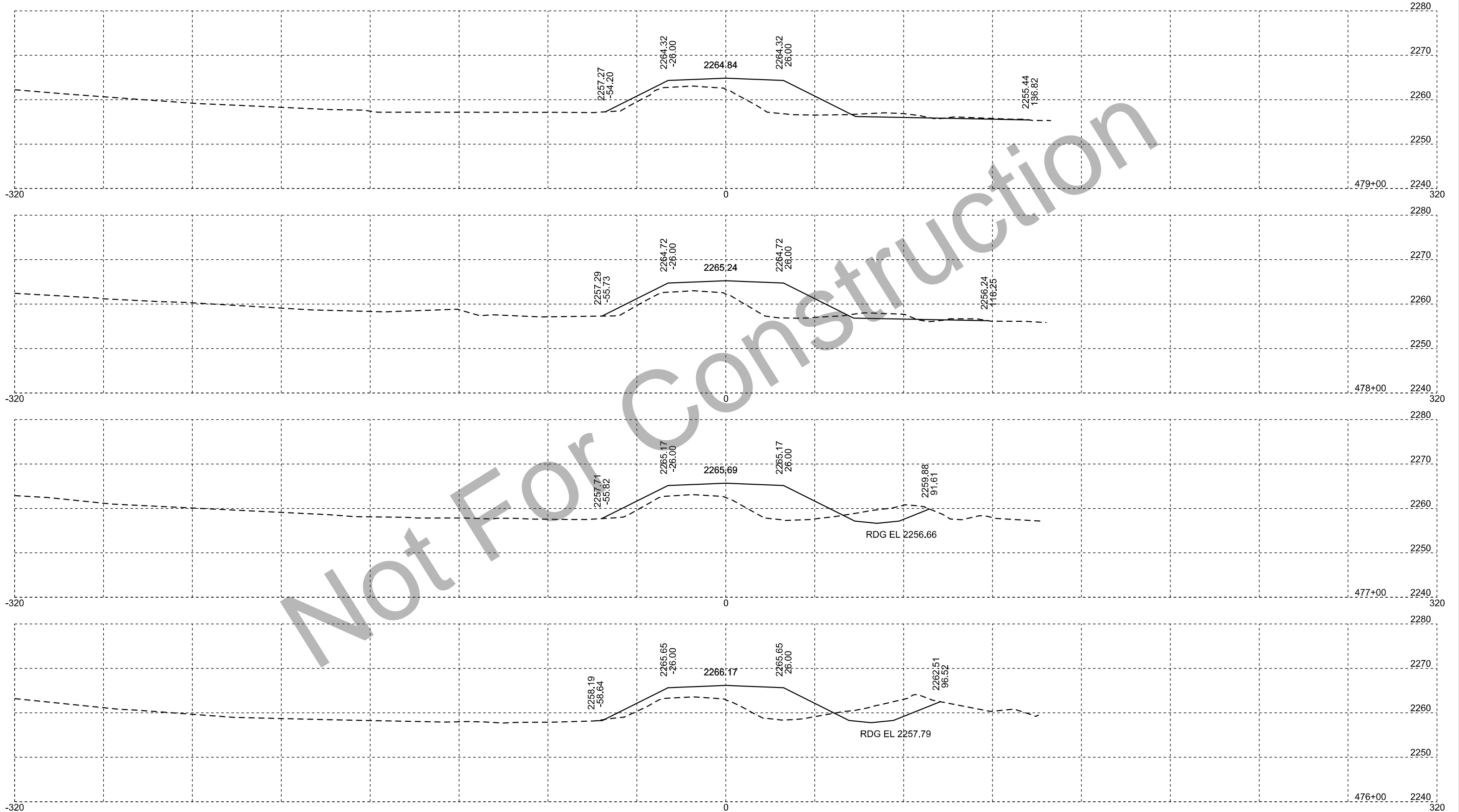
STATE OF SOUTH DAKOTA	PROJECT	SHEET	TOTAL SHEETS
	NH 0012(206)112	X8	X185



Not For Construction

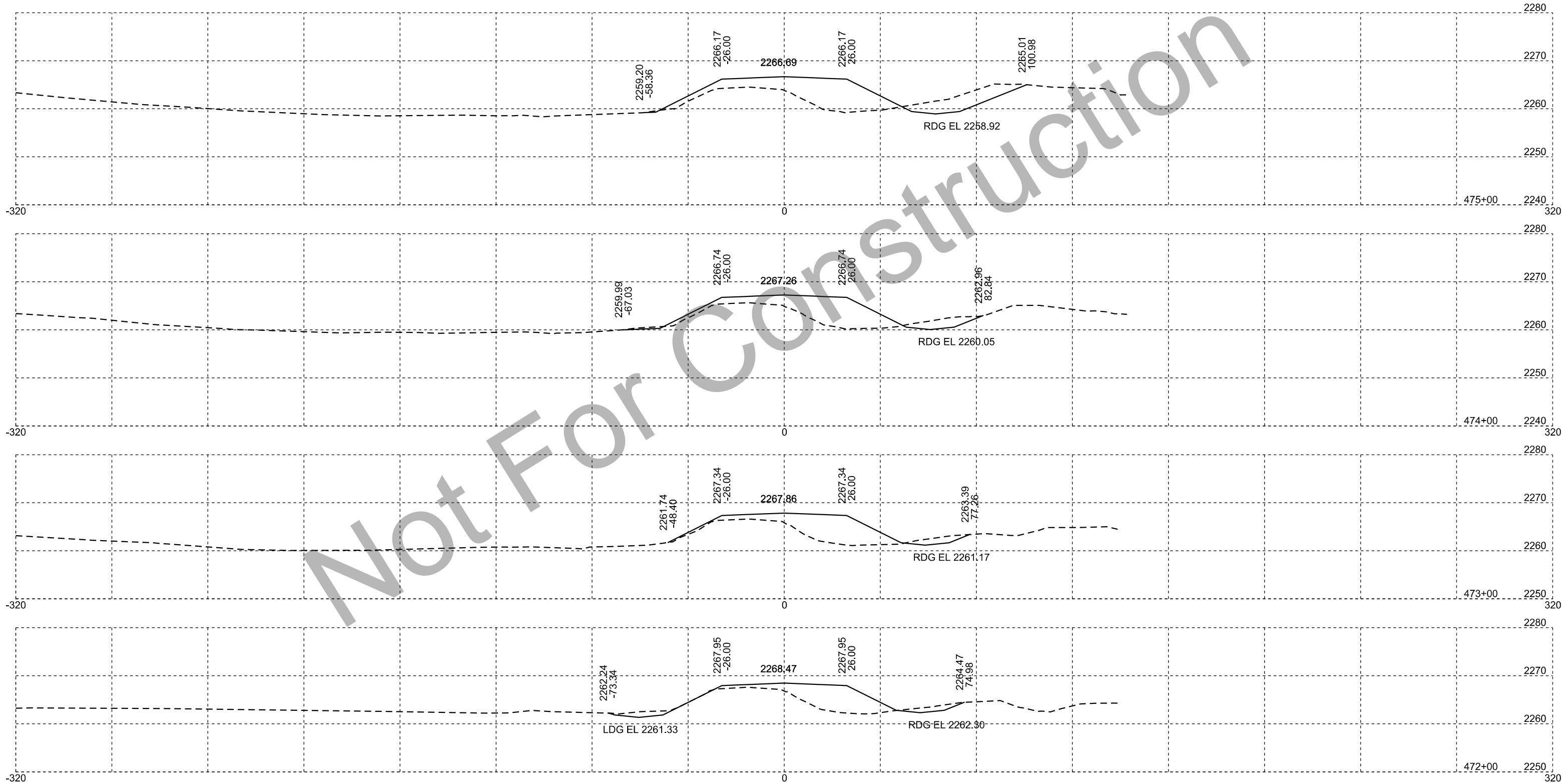


STATE OF SOUTH DAKOTA	PROJECT	SHEET	TOTAL SHEETS
	NH 0012(206)112	X9	X185



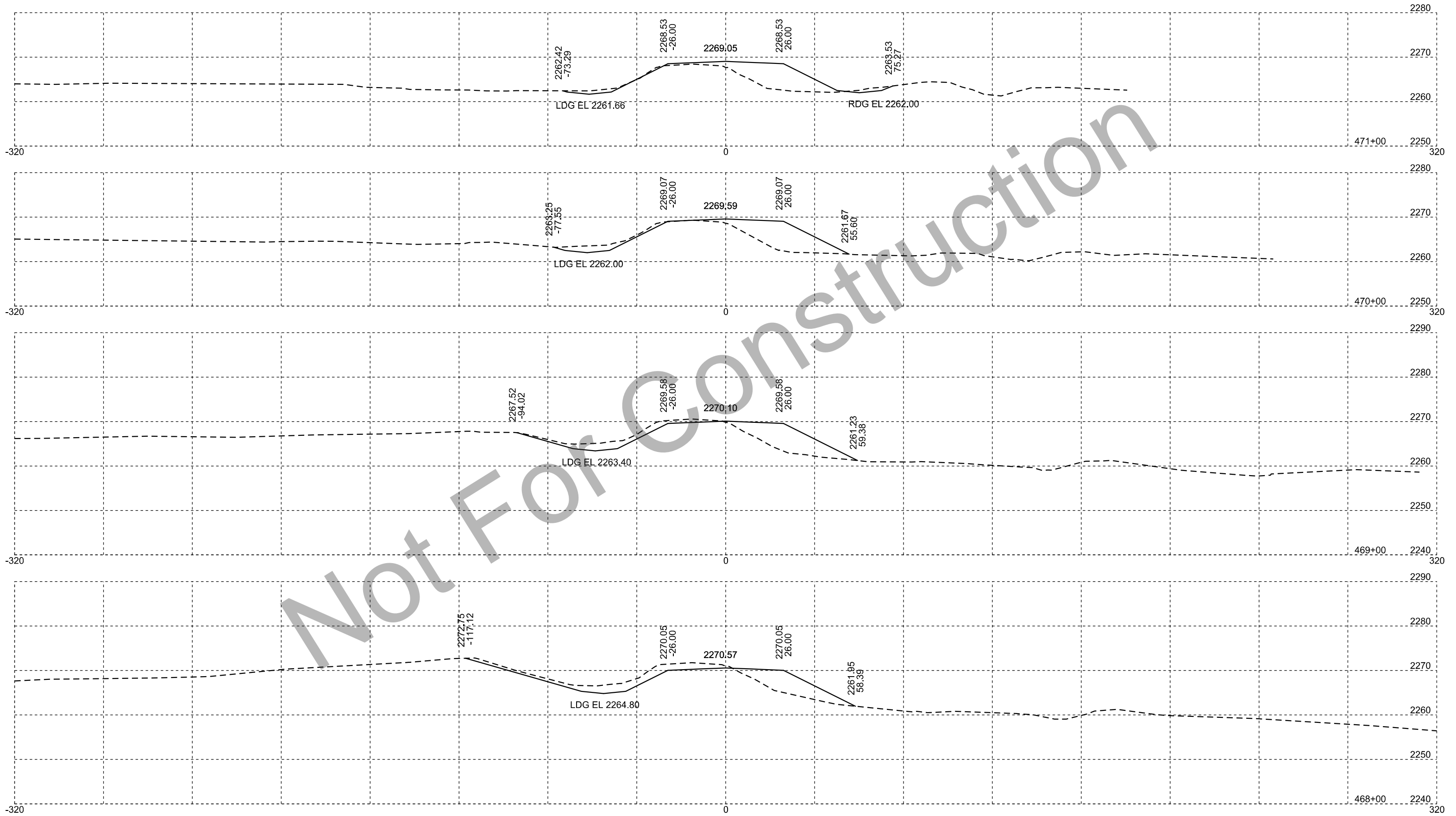
Not For Construction

STATE OF SOUTH DAKOTA	PROJECT	SHEET	TOTAL SHEETS
	NH 0012(206)112	X10	X185

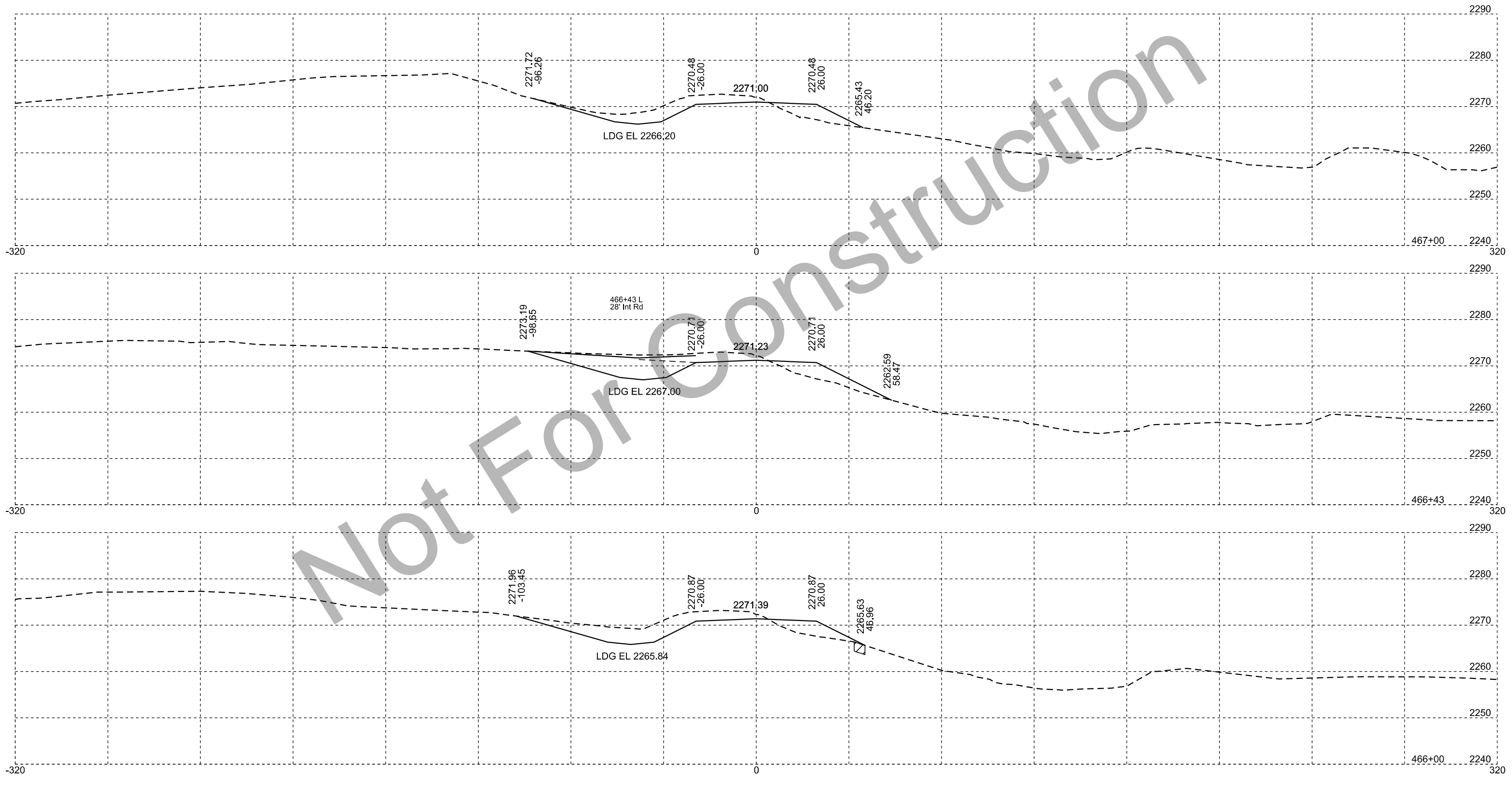


Not For Construction

STATE OF SOUTH DAKOTA	PROJECT	SHEET	TOTAL SHEETS
	NH 0012(206)112	X11	X185

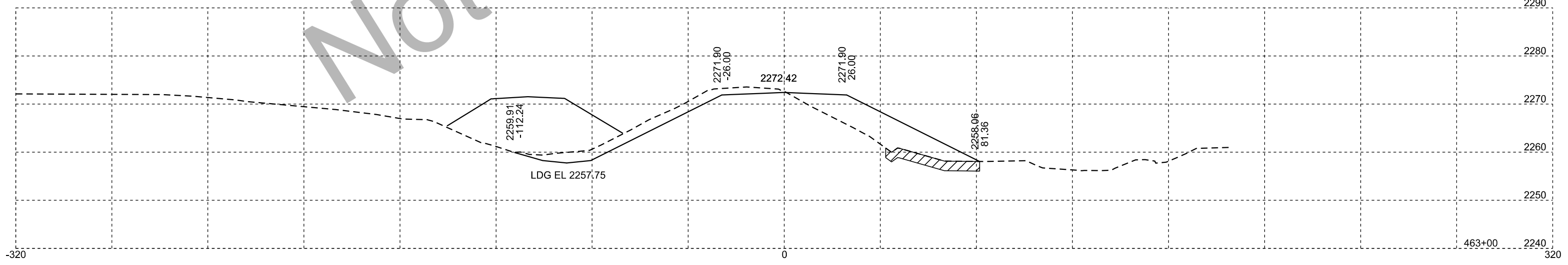
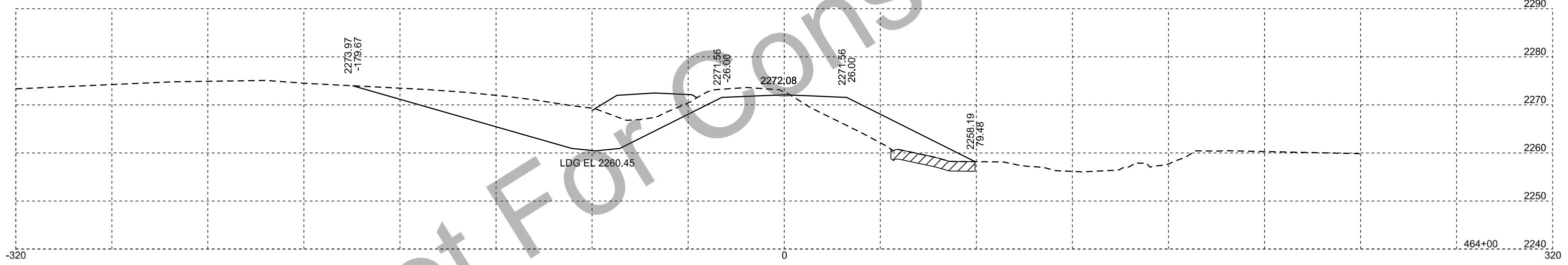
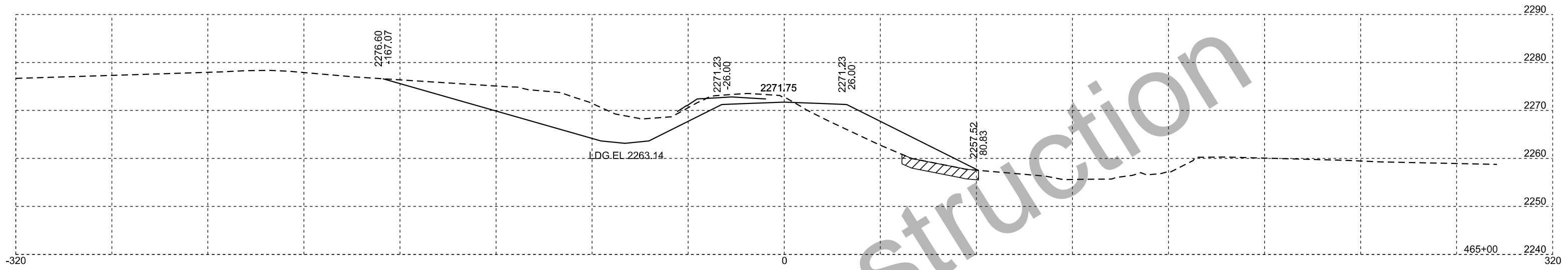


STATE OF SOUTH DAKOTA	PROJECT	SHEET	TOTAL SHEETS
	NH 0012(206)112	X12	X185

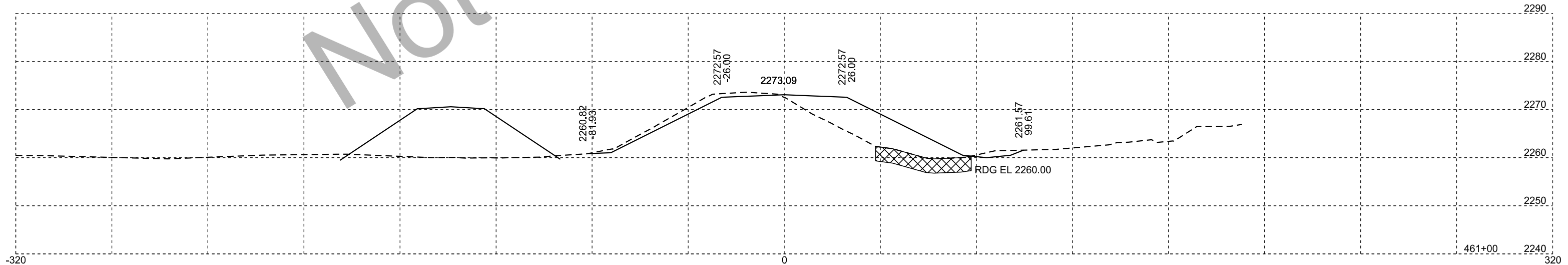
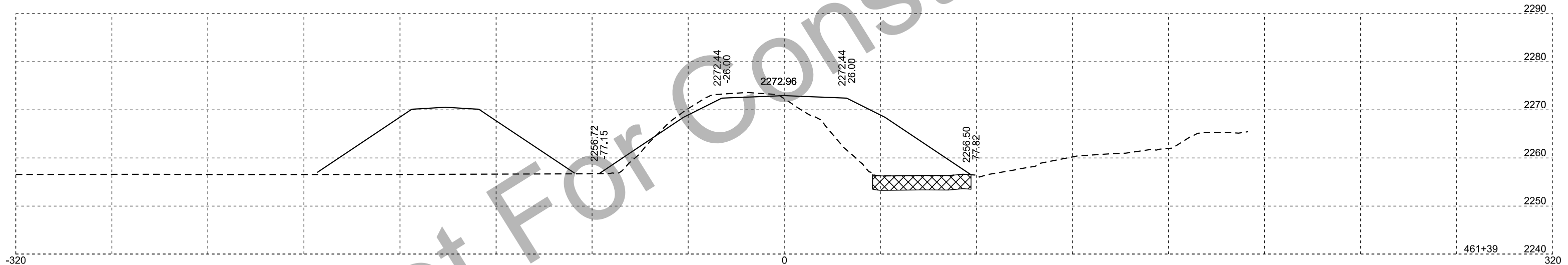
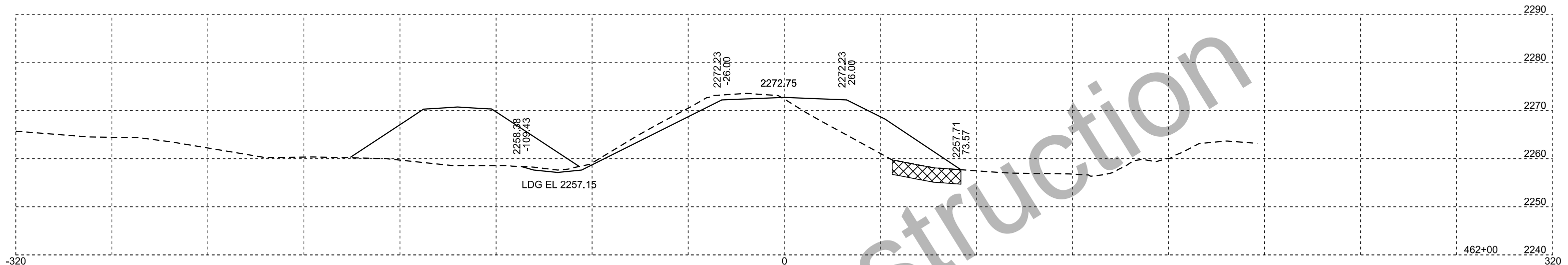


Not For Construction

STATE OF SOUTH DAKOTA	PROJECT	SHEET	TOTAL SHEETS
	NH 0012(206)112	X13	X185

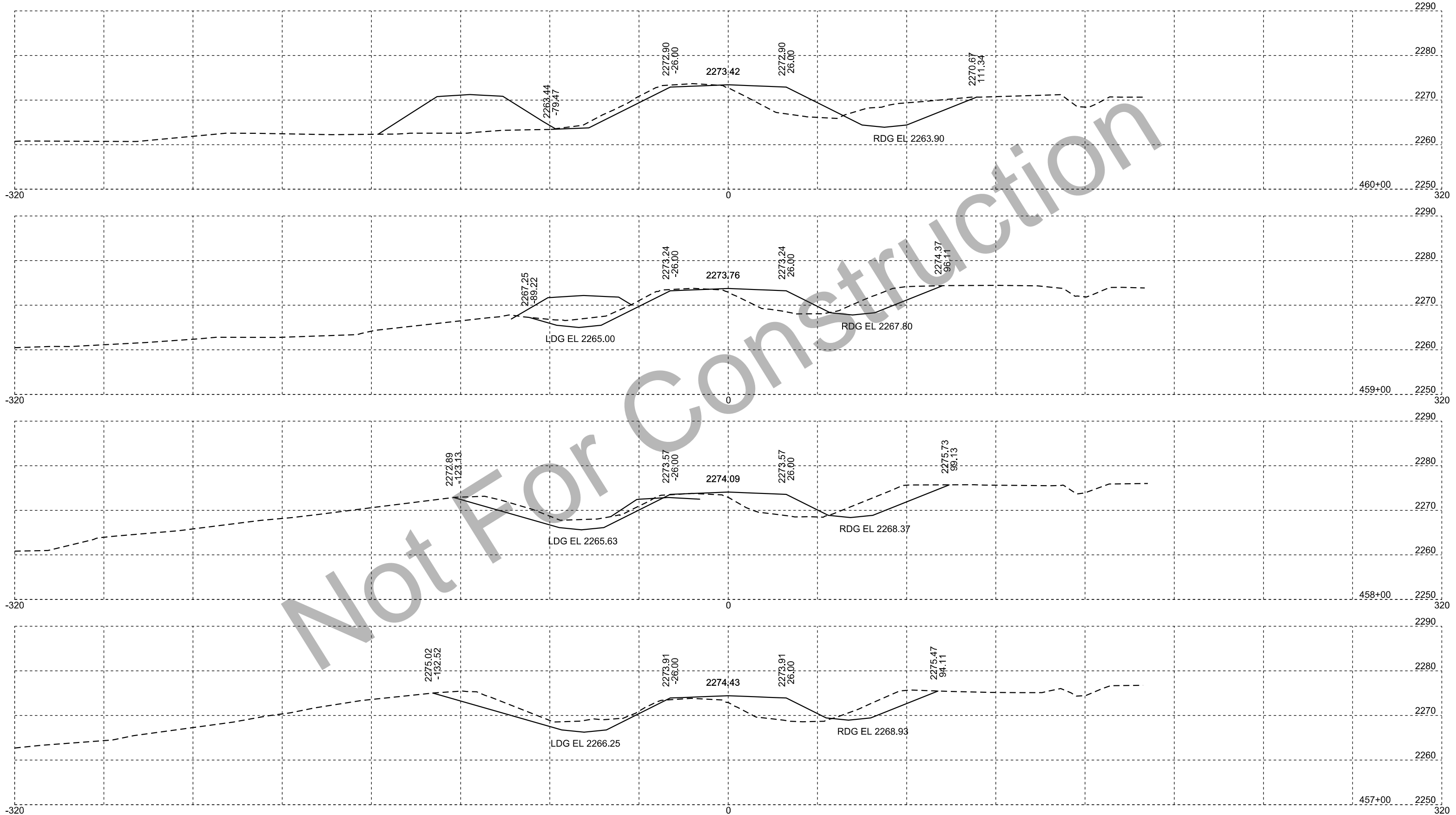


STATE OF SOUTH DAKOTA	PROJECT	SHEET	TOTAL SHEETS
	NH 0012(206)112	X14	X185



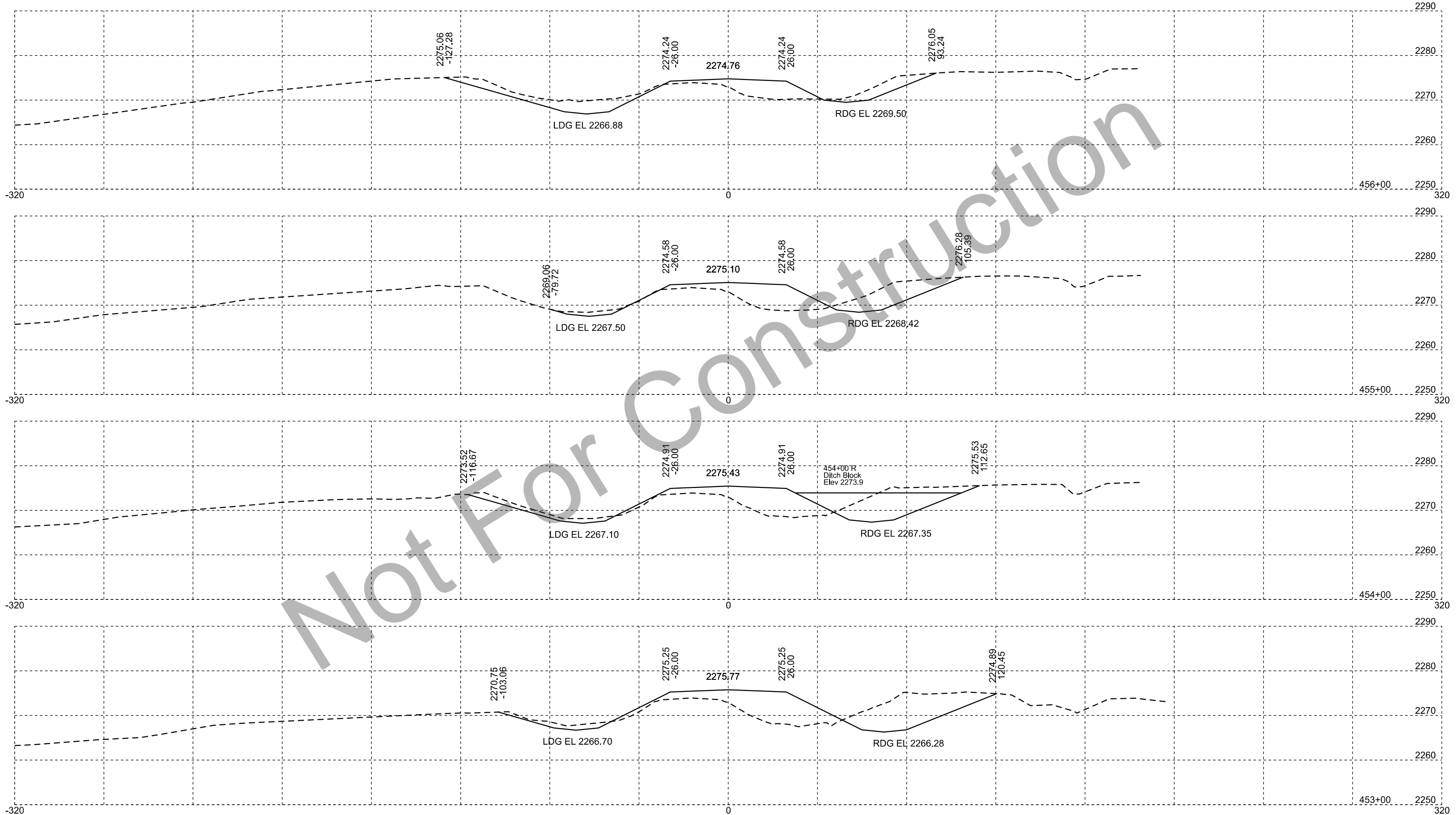
Not For Construction

STATE OF SOUTH DAKOTA	PROJECT	SHEET	TOTAL SHEETS
	NH 0012(206)112	X15	X185



Not For Construction

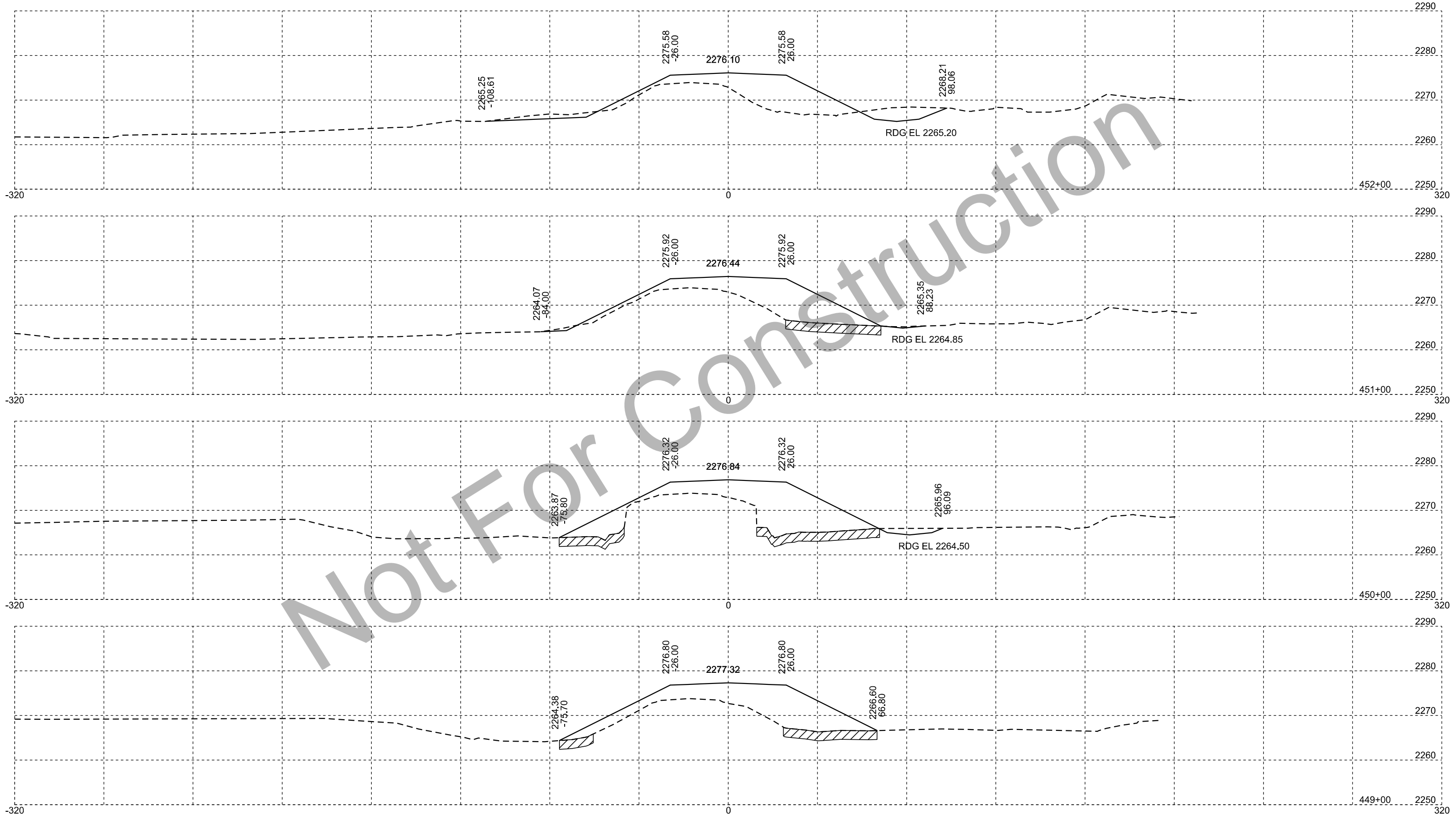
STATE OF SOUTH DAKOTA	PROJECT	SHEET	TOTAL SHEETS
	NH 0012(206)112	X16	X185



Not For Construction

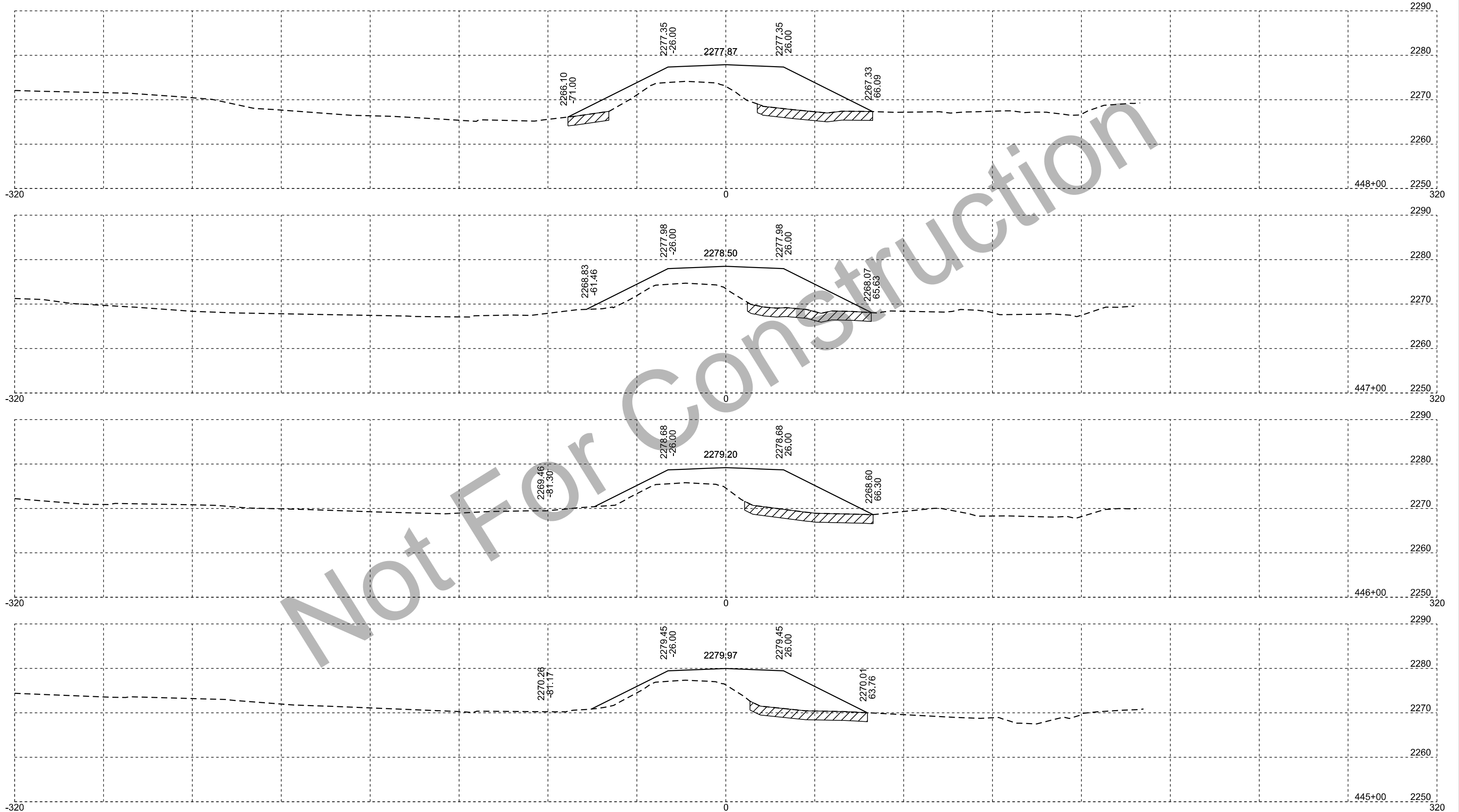


STATE OF SOUTH DAKOTA	PROJECT	SHEET	TOTAL SHEETS
	NH 0012(206)112	X17	X185



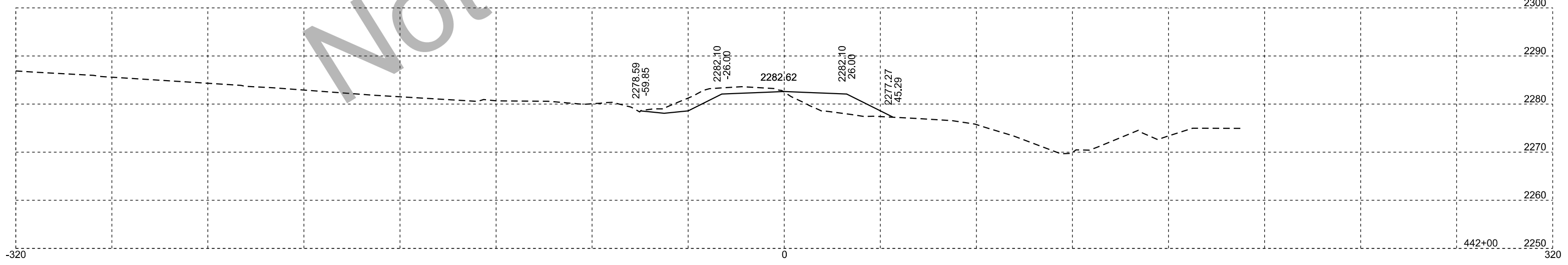
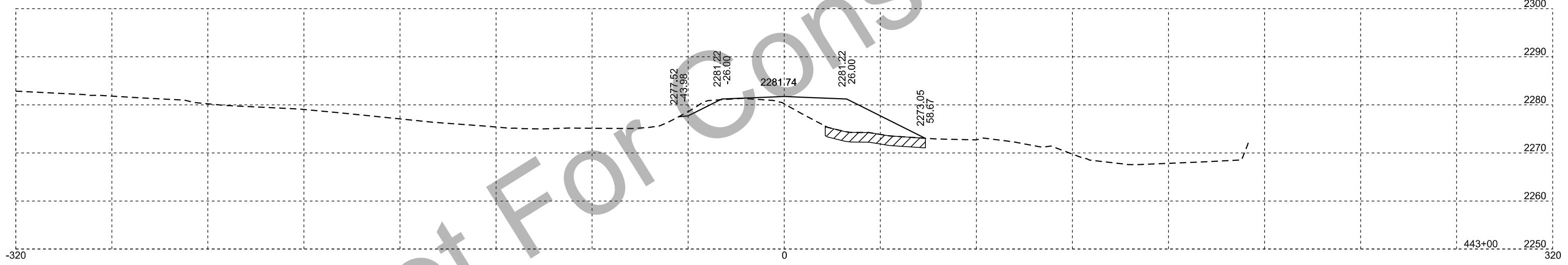
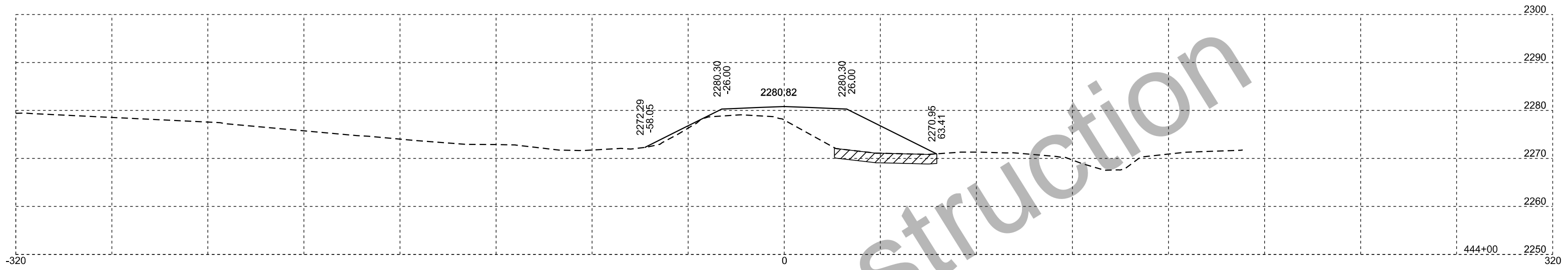
Not For Construction

STATE OF SOUTH DAKOTA	PROJECT	SHEET	TOTAL SHEETS
	NH 0012(206)112	X18	X185



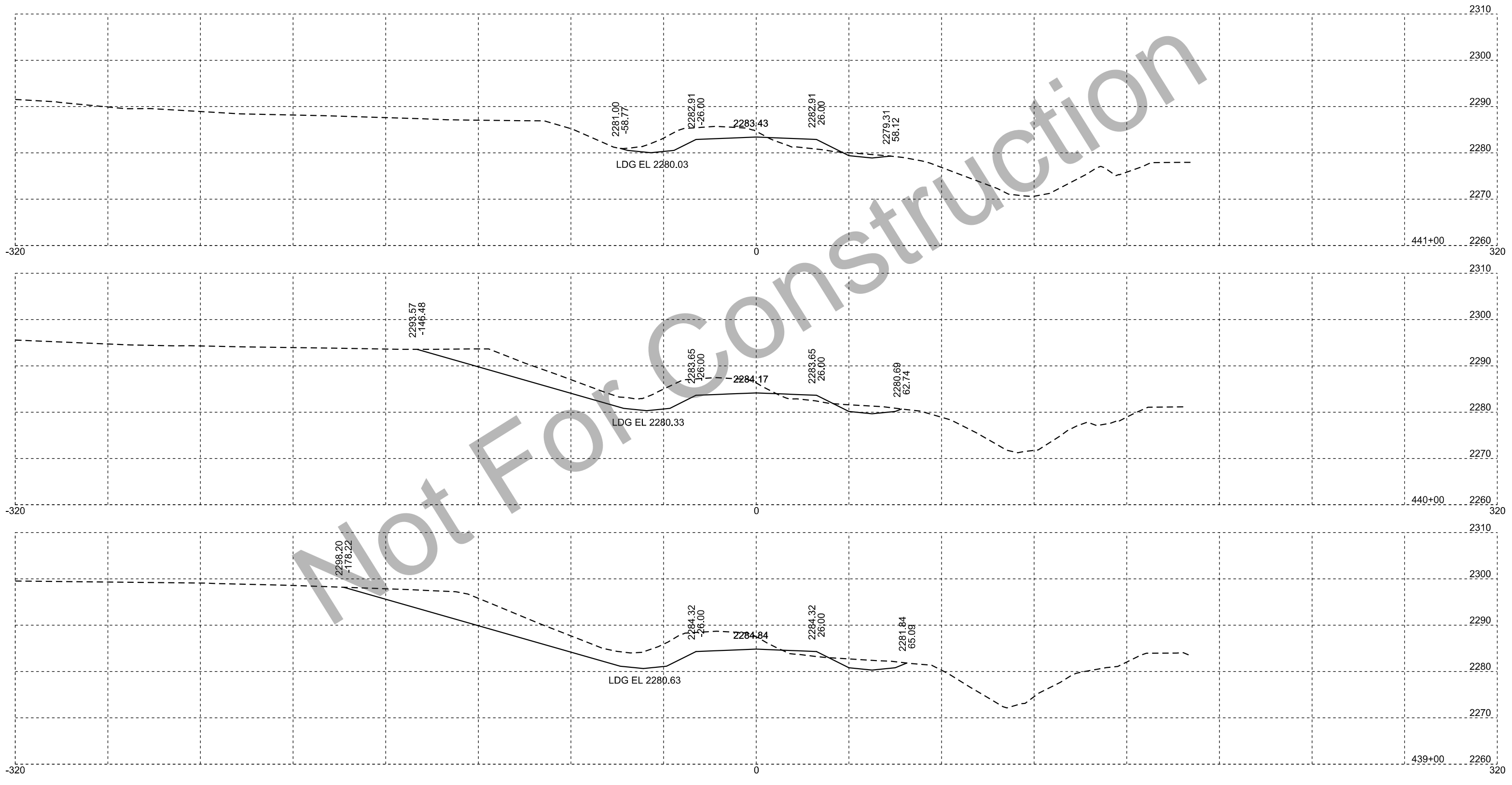
Not For Construction

STATE OF SOUTH DAKOTA	PROJECT	SHEET	TOTAL SHEETS
	NH 0012(206)112	X19	X185



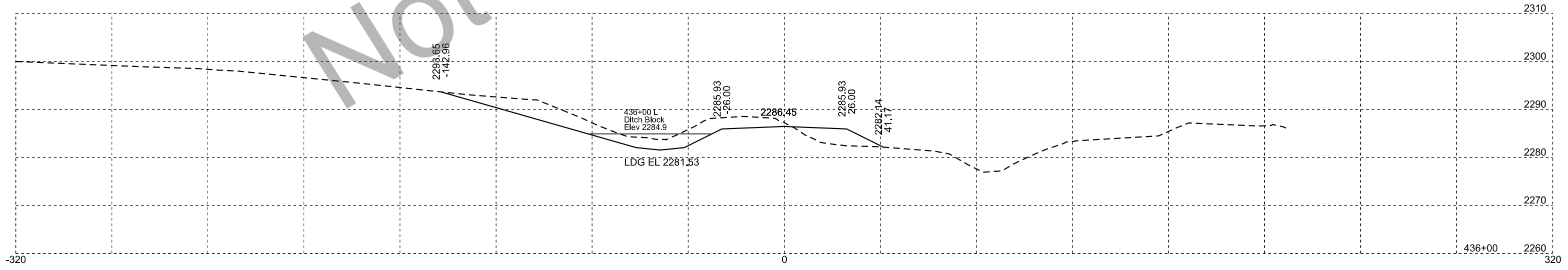
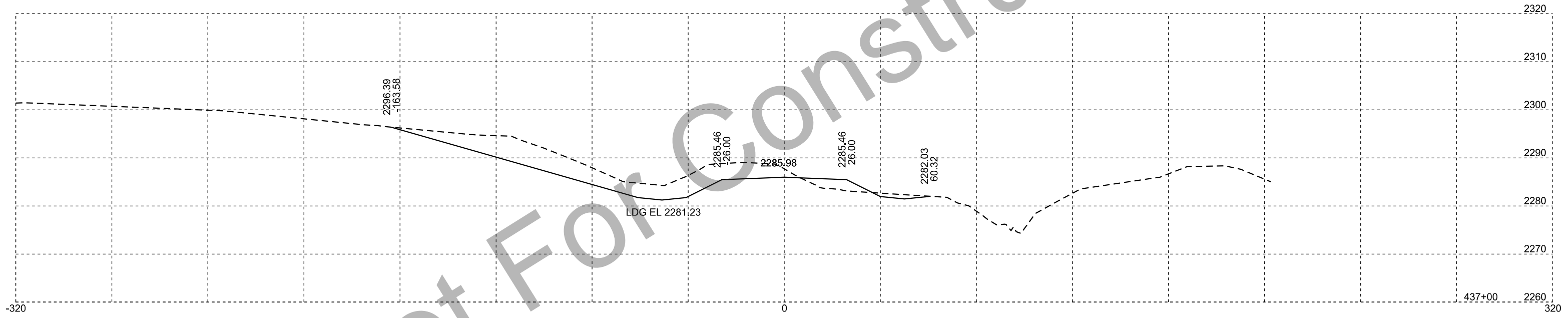
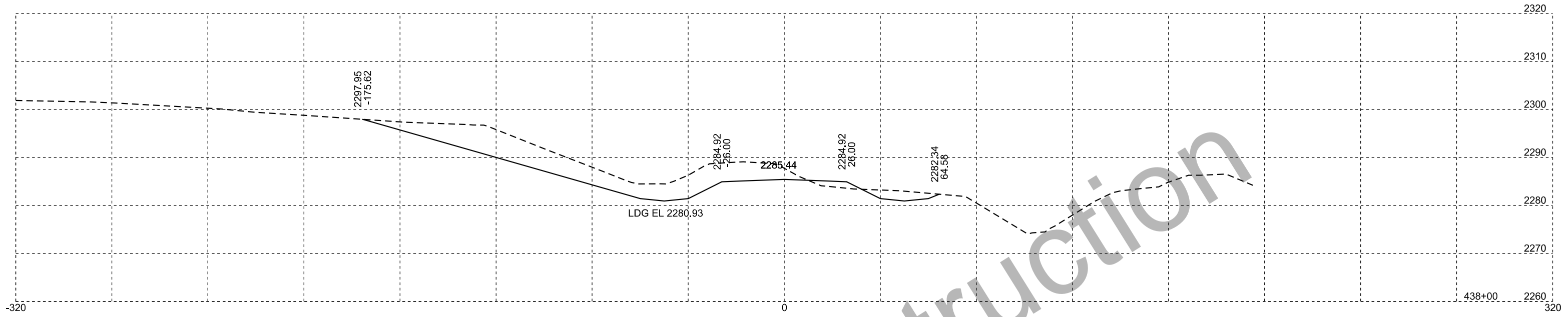
Not For Construction

STATE OF SOUTH DAKOTA	PROJECT	SHEET	TOTAL SHEETS
	NH 0012(206)112	X20	X185

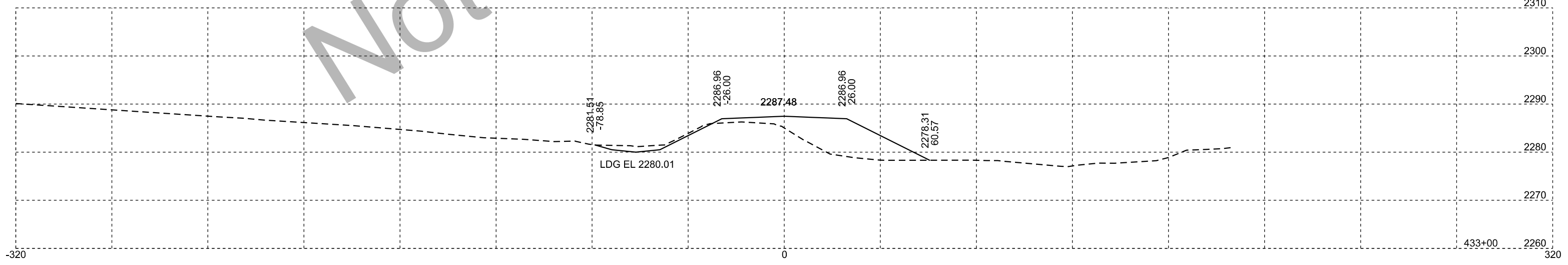
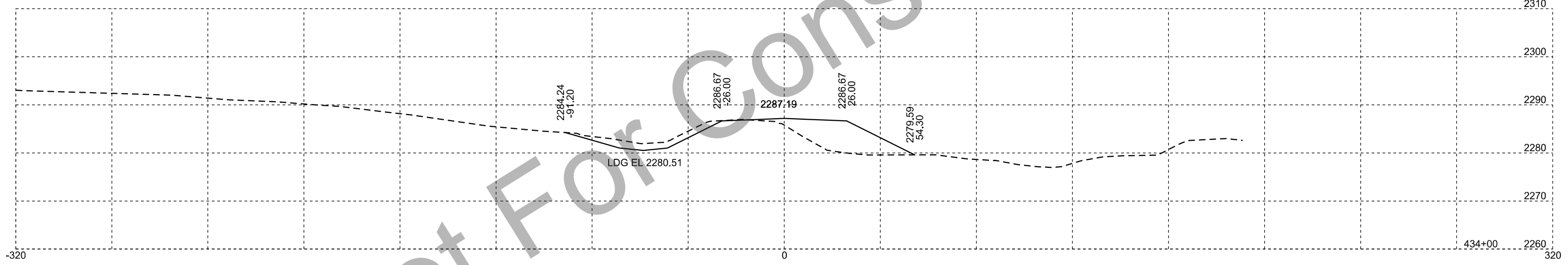
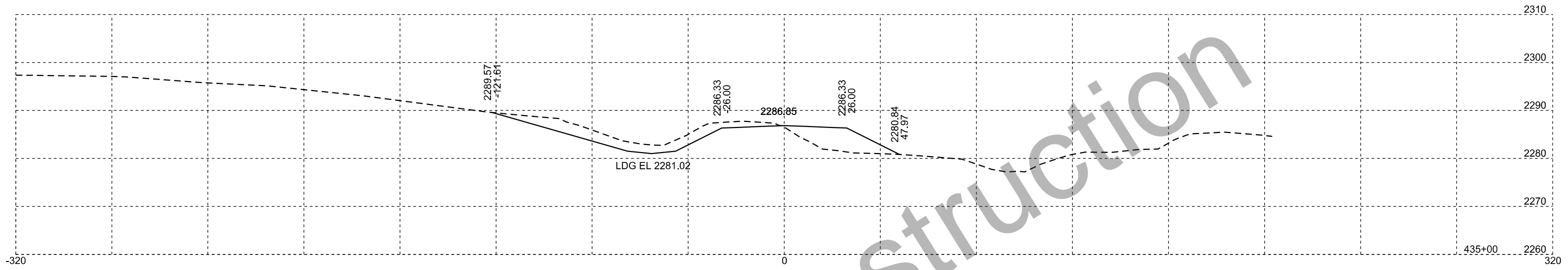


Not For Construction

STATE OF SOUTH DAKOTA	PROJECT	SHEET	TOTAL SHEETS
	NH 0012(206)112	X21	X185

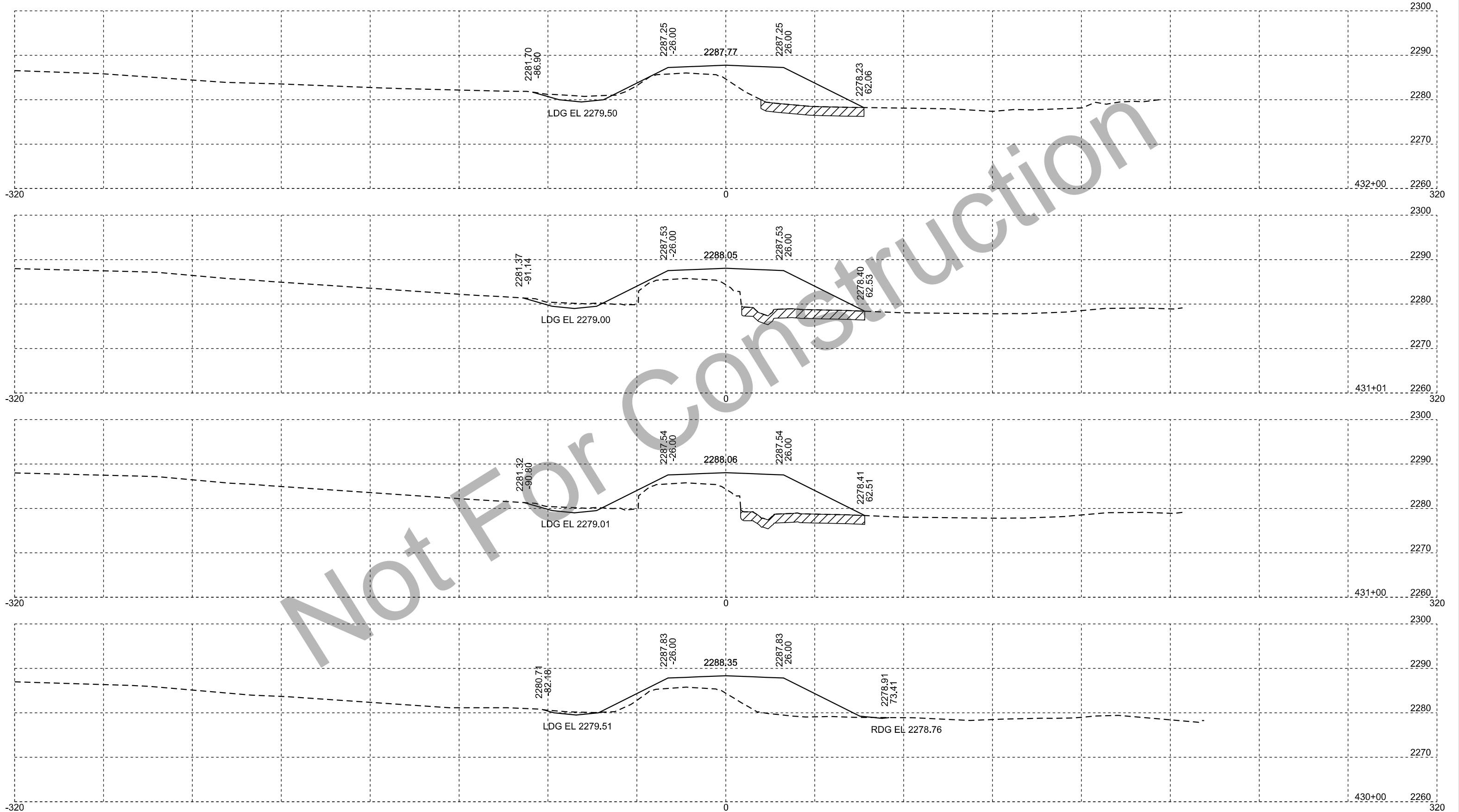


STATE OF SOUTH DAKOTA	PROJECT	SHEET	TOTAL SHEETS
	NH 0012(206)112	X22	X185



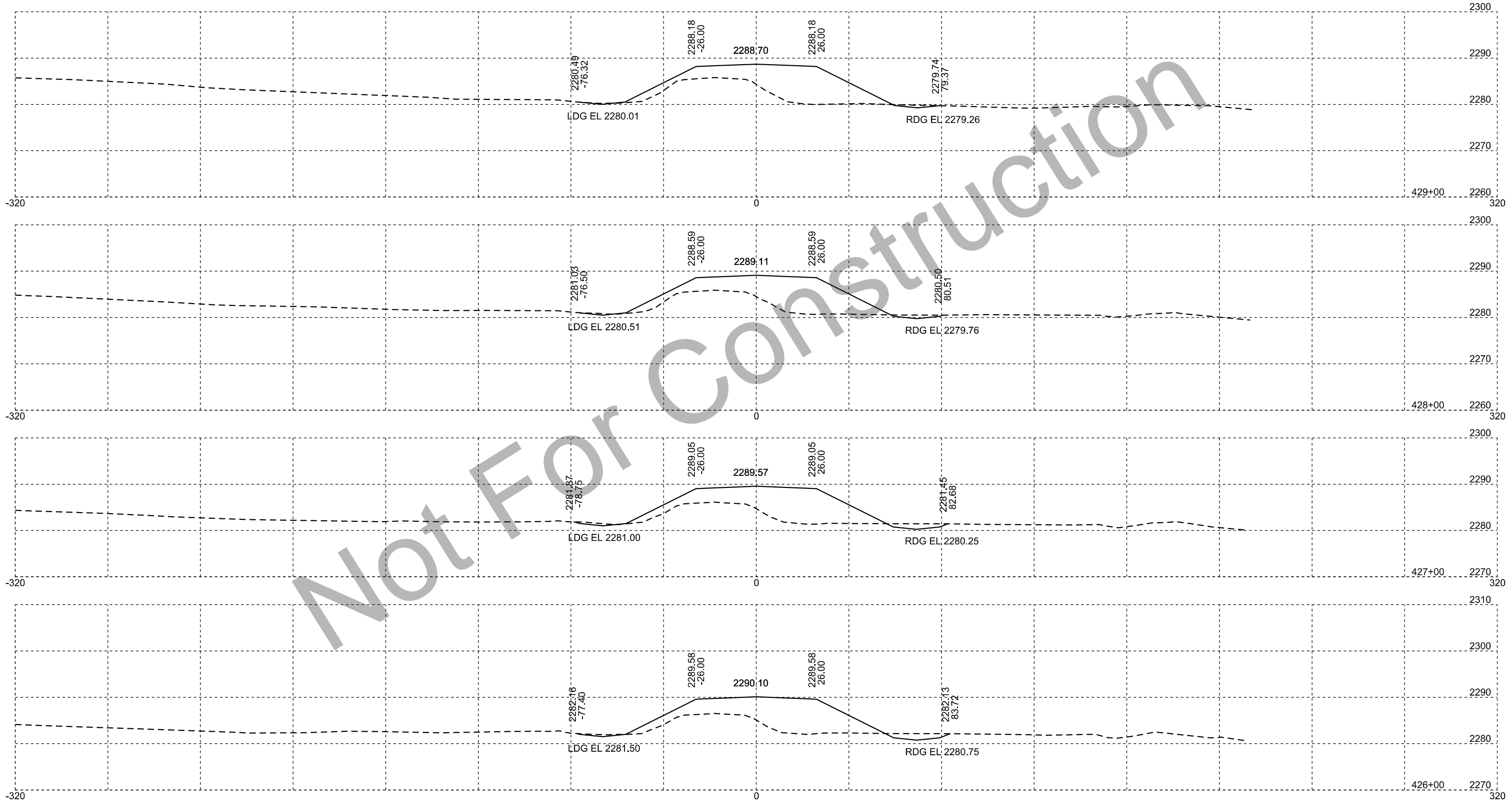
Not For Construction

STATE OF SOUTH DAKOTA	PROJECT	SHEET	TOTAL SHEETS
	NH 0012(206)112	X23	X185



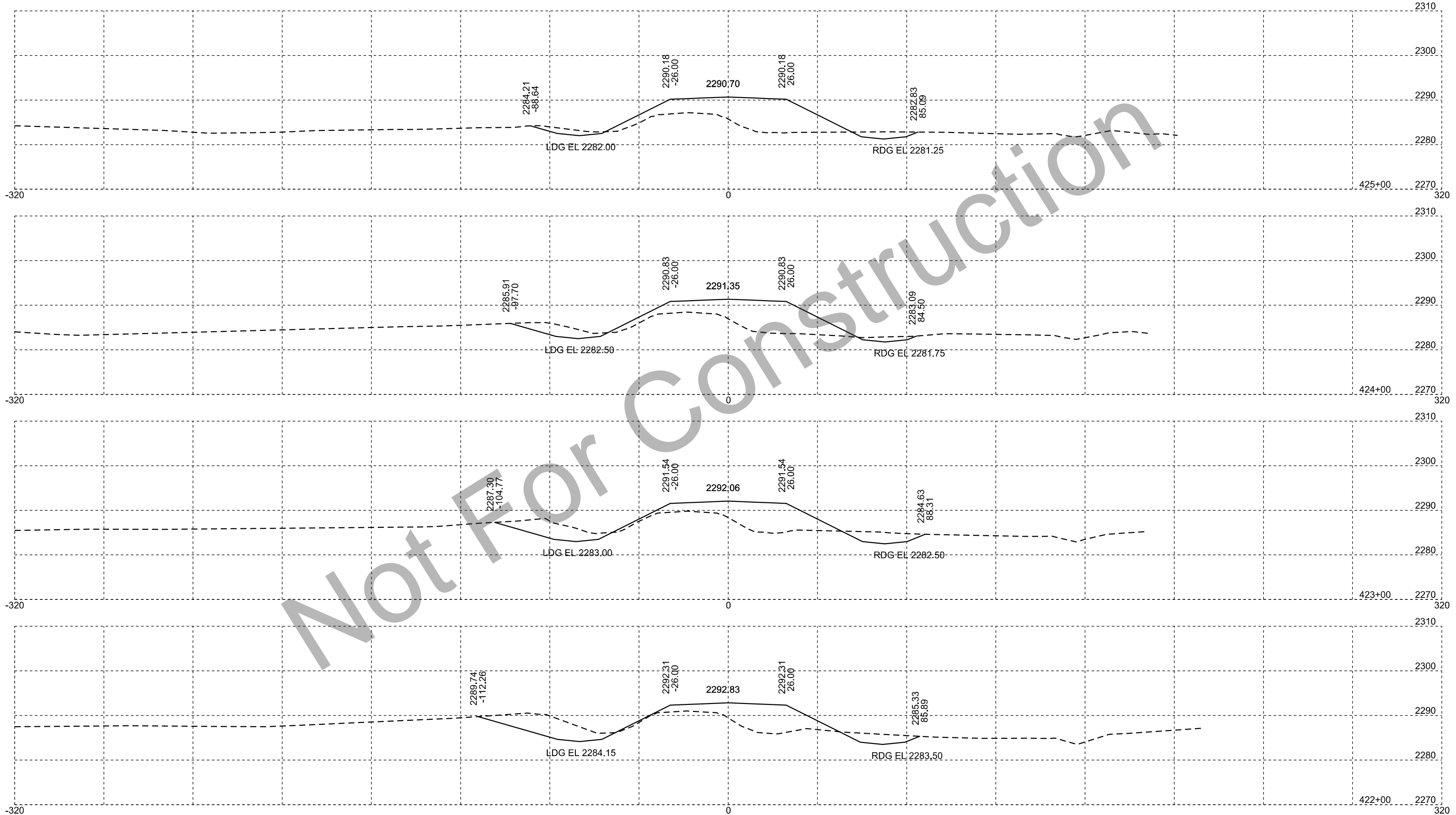
Not For Construction

STATE OF SOUTH DAKOTA	PROJECT	SHEET	TOTAL SHEETS
	NH 0012(206)112	X24	X185



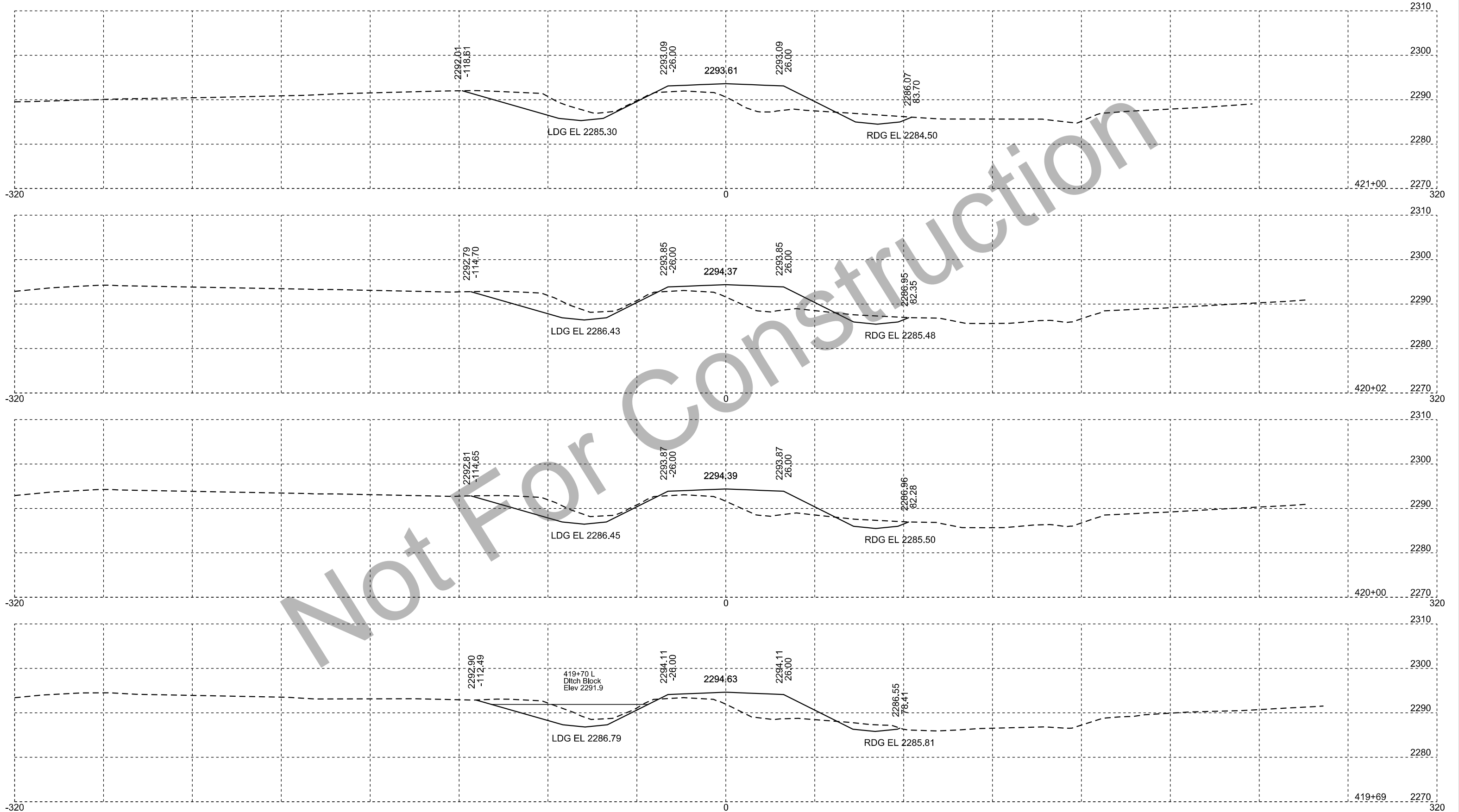


STATE OF SOUTH DAKOTA	PROJECT	SHEET	TOTAL SHEETS
	NH 0012(206)112	X25	X185



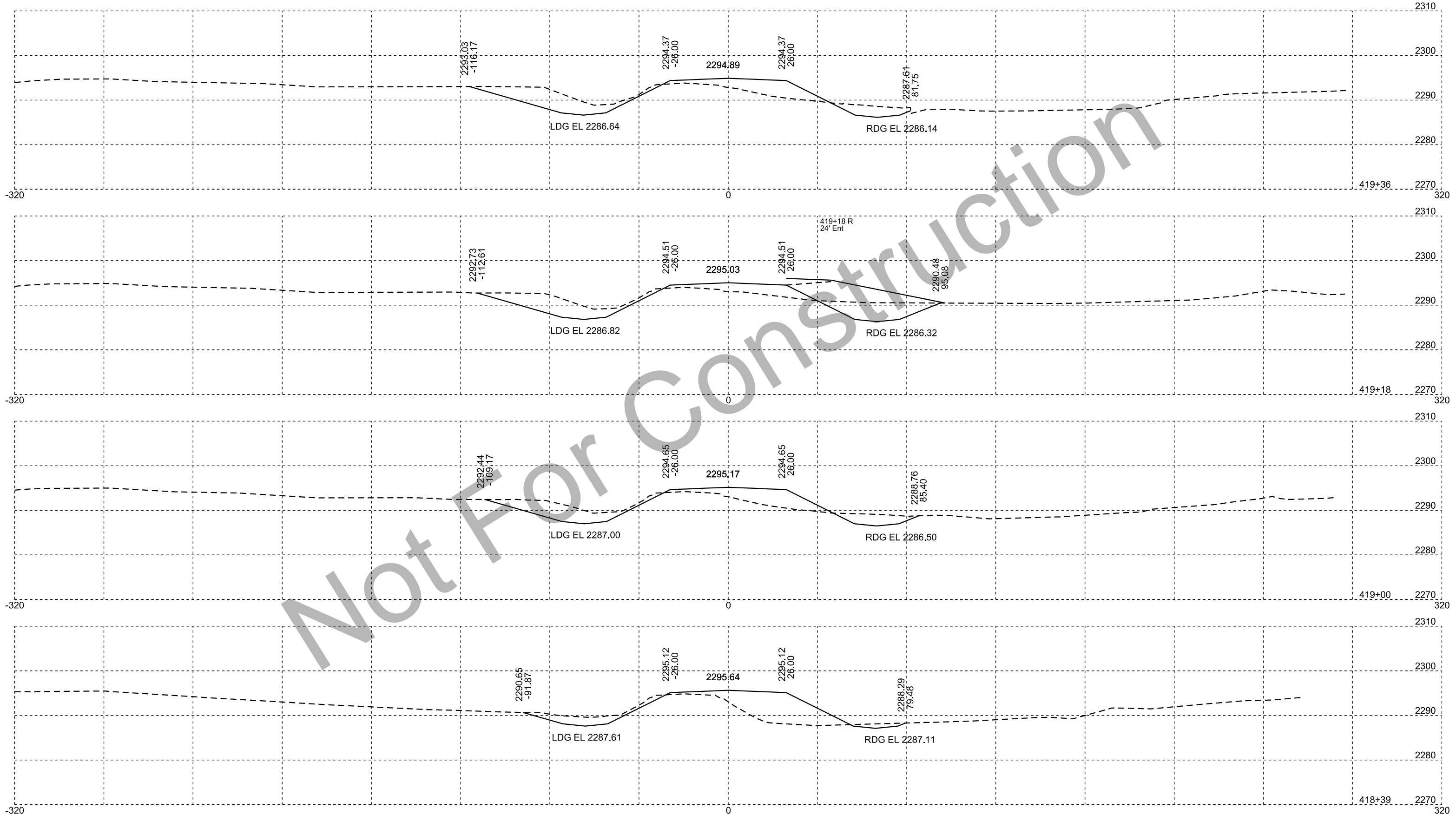
Not For Construction

STATE OF SOUTH DAKOTA	PROJECT	SHEET	TOTAL SHEETS
	NH 0012(206)112	X26	X185



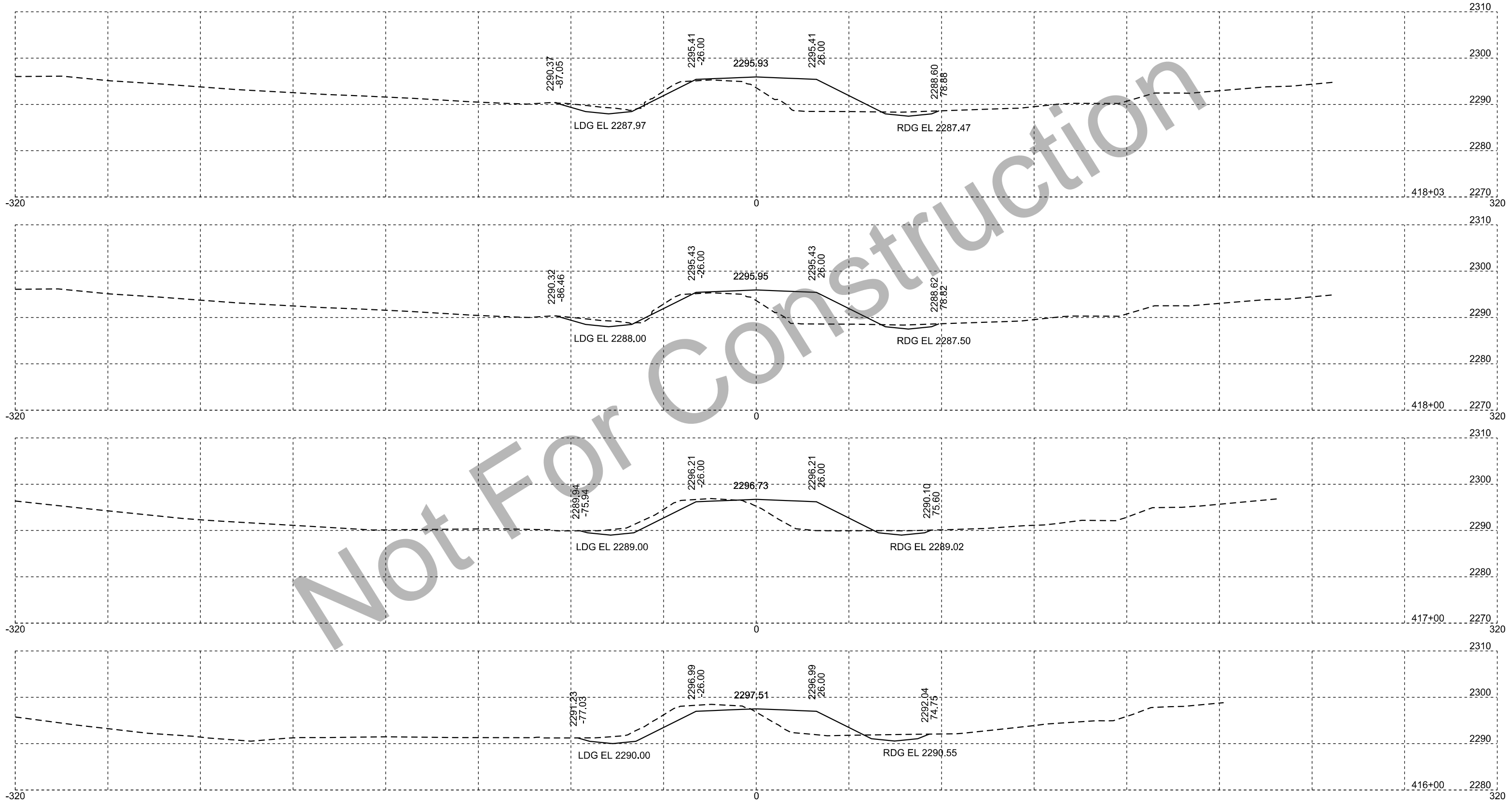
Not For Construction

STATE OF SOUTH DAKOTA	PROJECT	SHEET	TOTAL SHEETS
	NH 0012(206)112	X27	X185



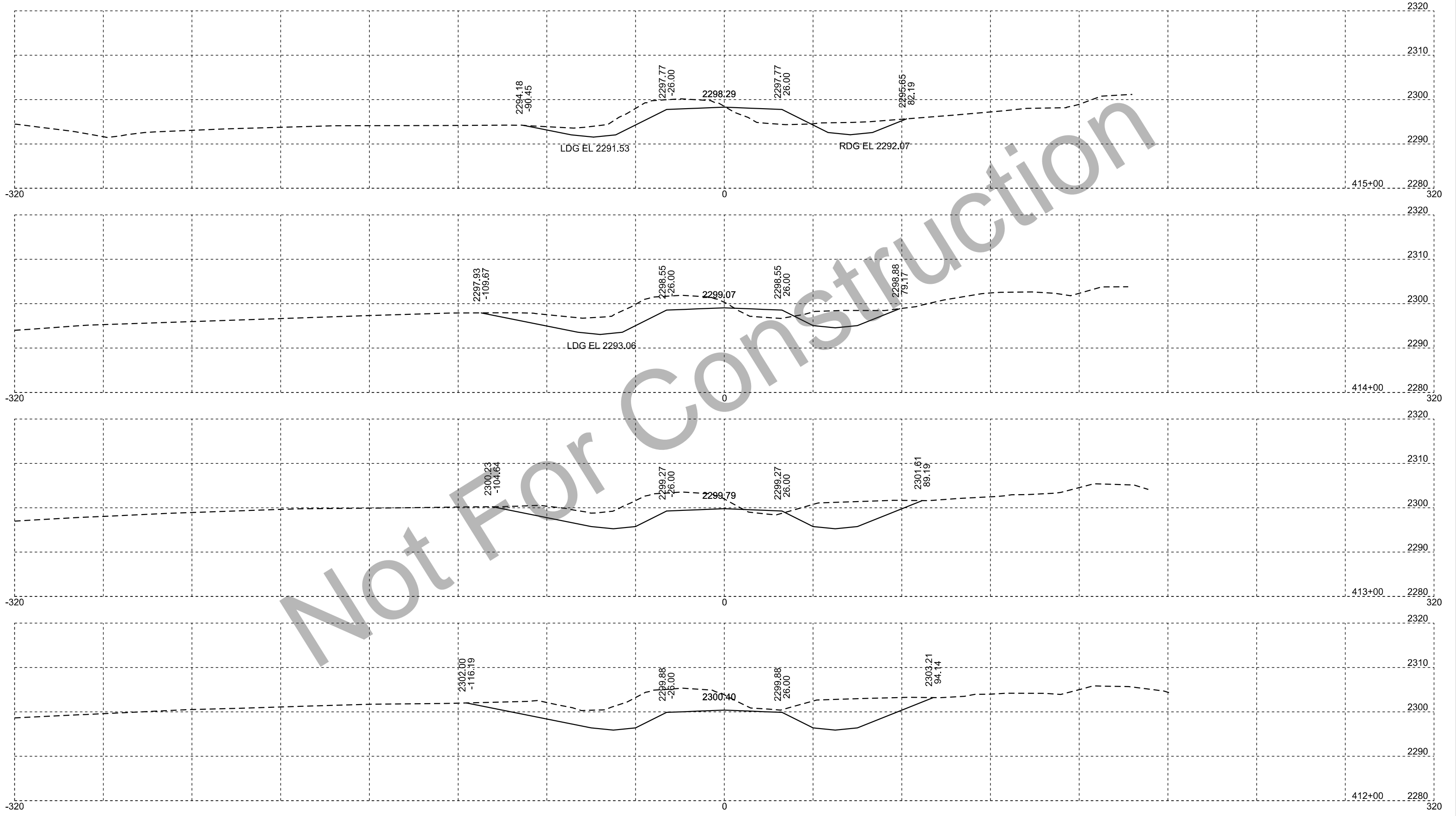
Not For Construction

STATE OF SOUTH DAKOTA	PROJECT	SHEET	TOTAL SHEETS
	NH 0012(206)112	X28	X185



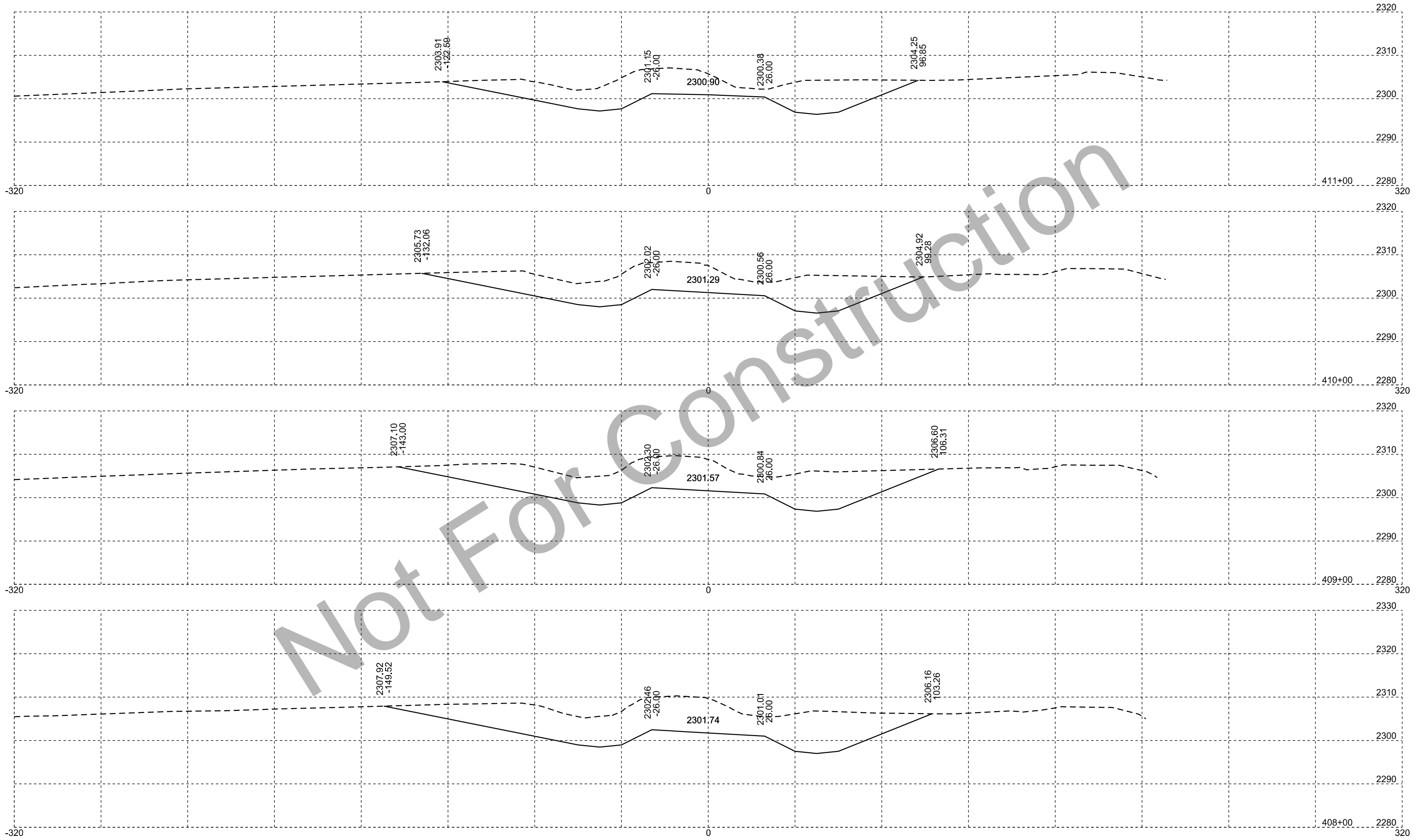
Not For Construction

STATE OF SOUTH DAKOTA	PROJECT	SHEET	TOTAL SHEETS
	NH 0012(206)112	X29	X185



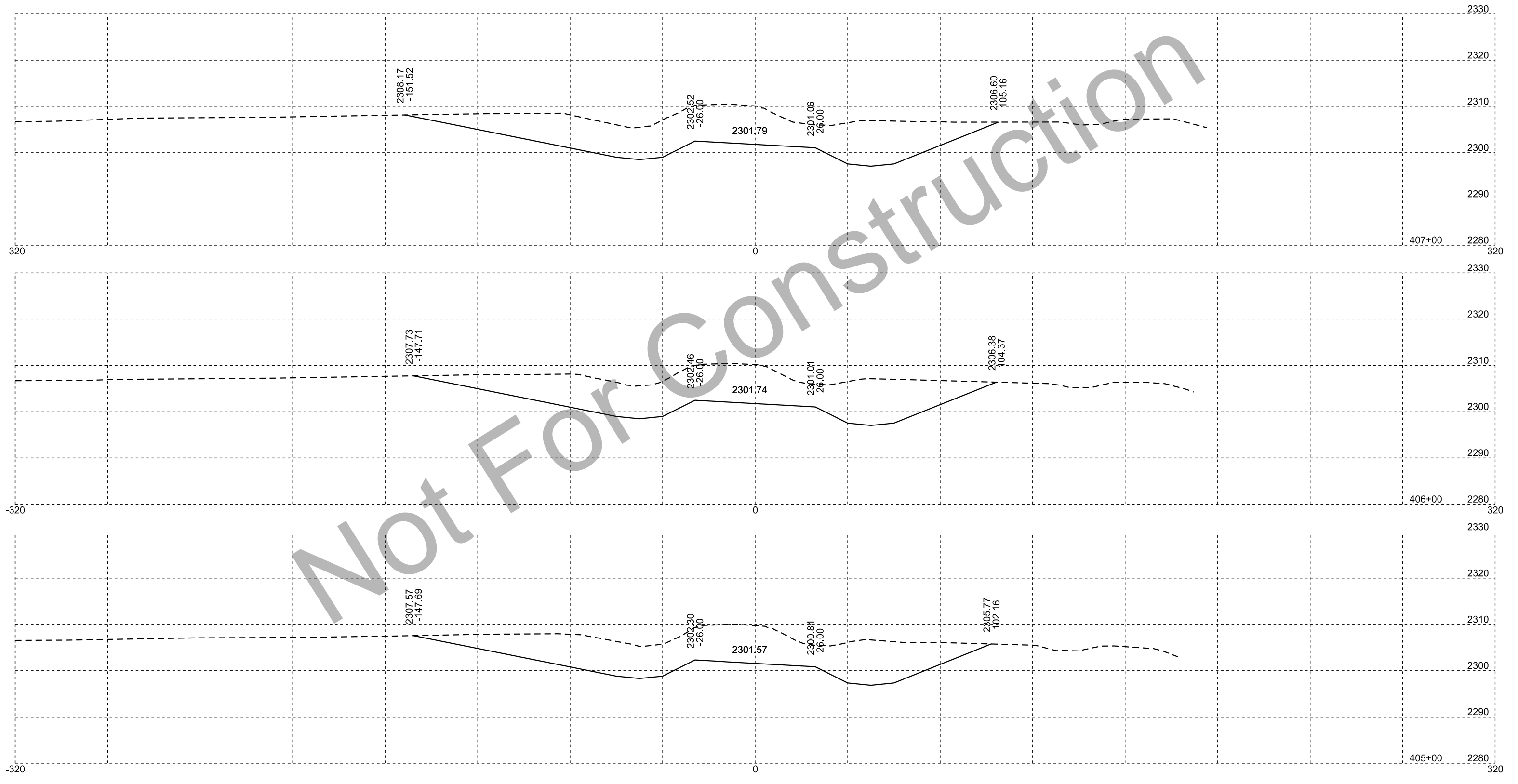
Not For Construction

STATE OF SOUTH DAKOTA	PROJECT	SHEET	TOTAL SHEETS
	NH 0012(206)112	X30	X185



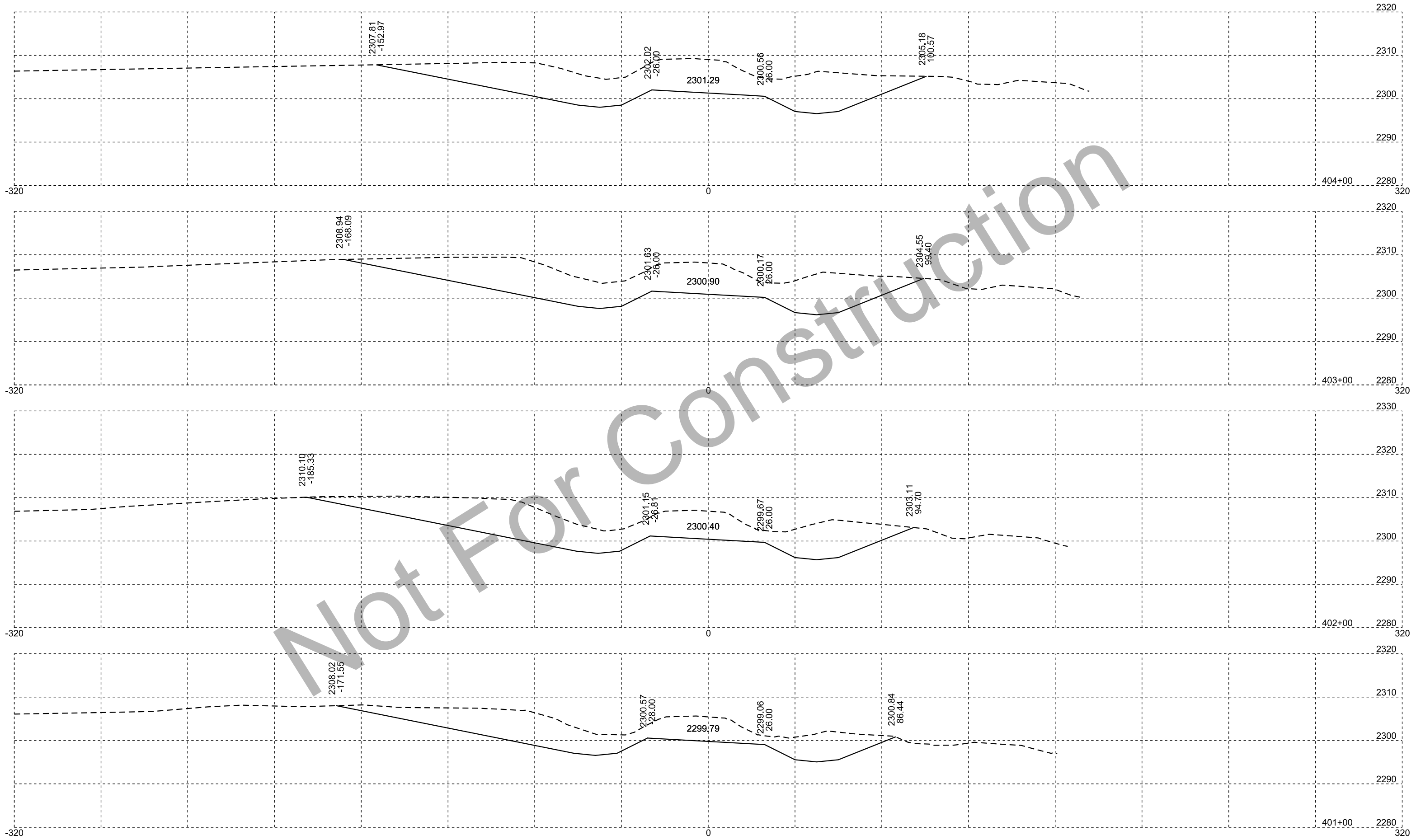
Not For Construction

STATE OF SOUTH DAKOTA	PROJECT	SHEET	TOTAL SHEETS
	NH 0012(206)112	X31	X185



Not For Construction

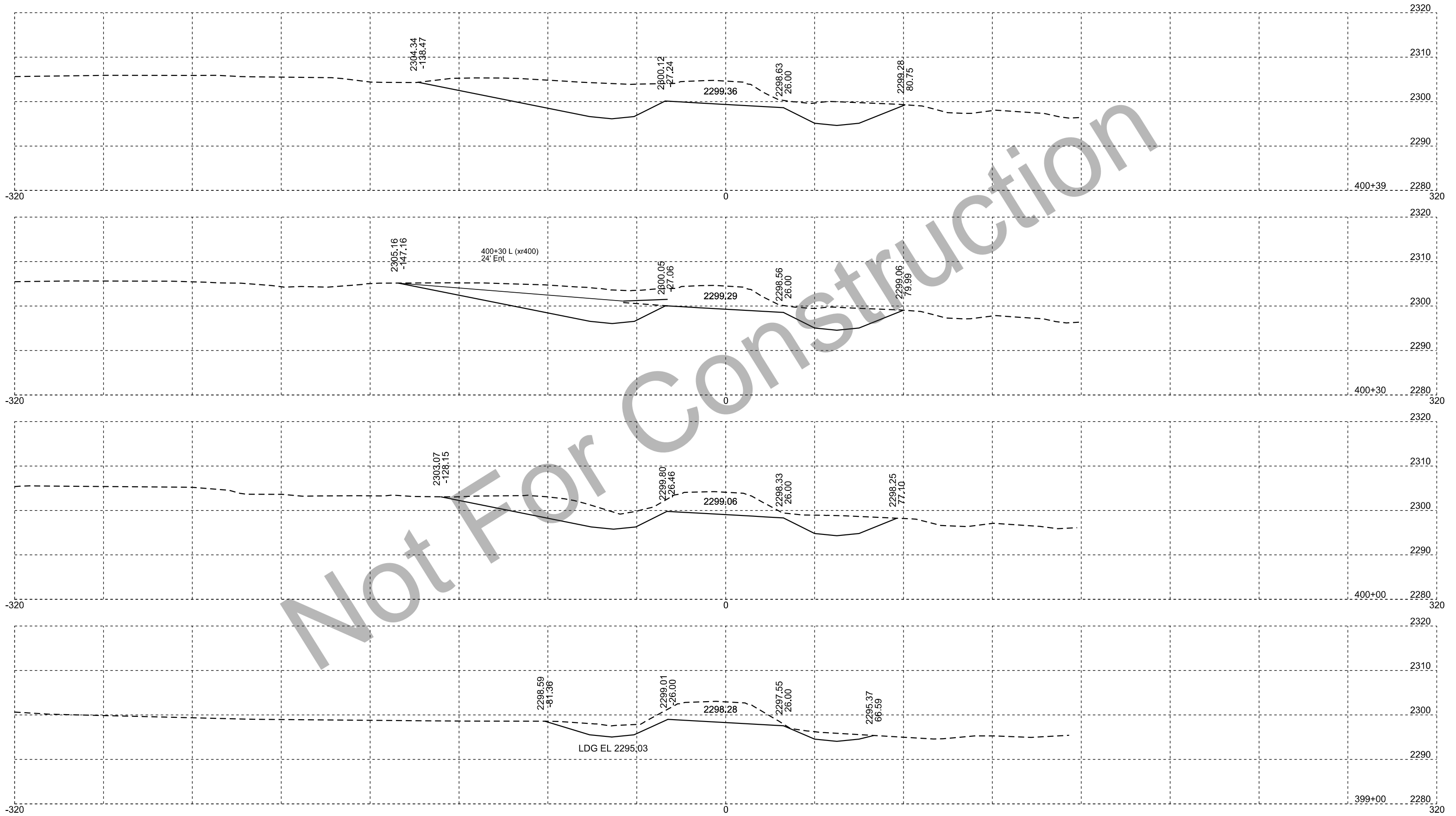
STATE OF SOUTH DAKOTA	PROJECT	SHEET	TOTAL SHEETS
	NH 0012(206)112	X32	X185



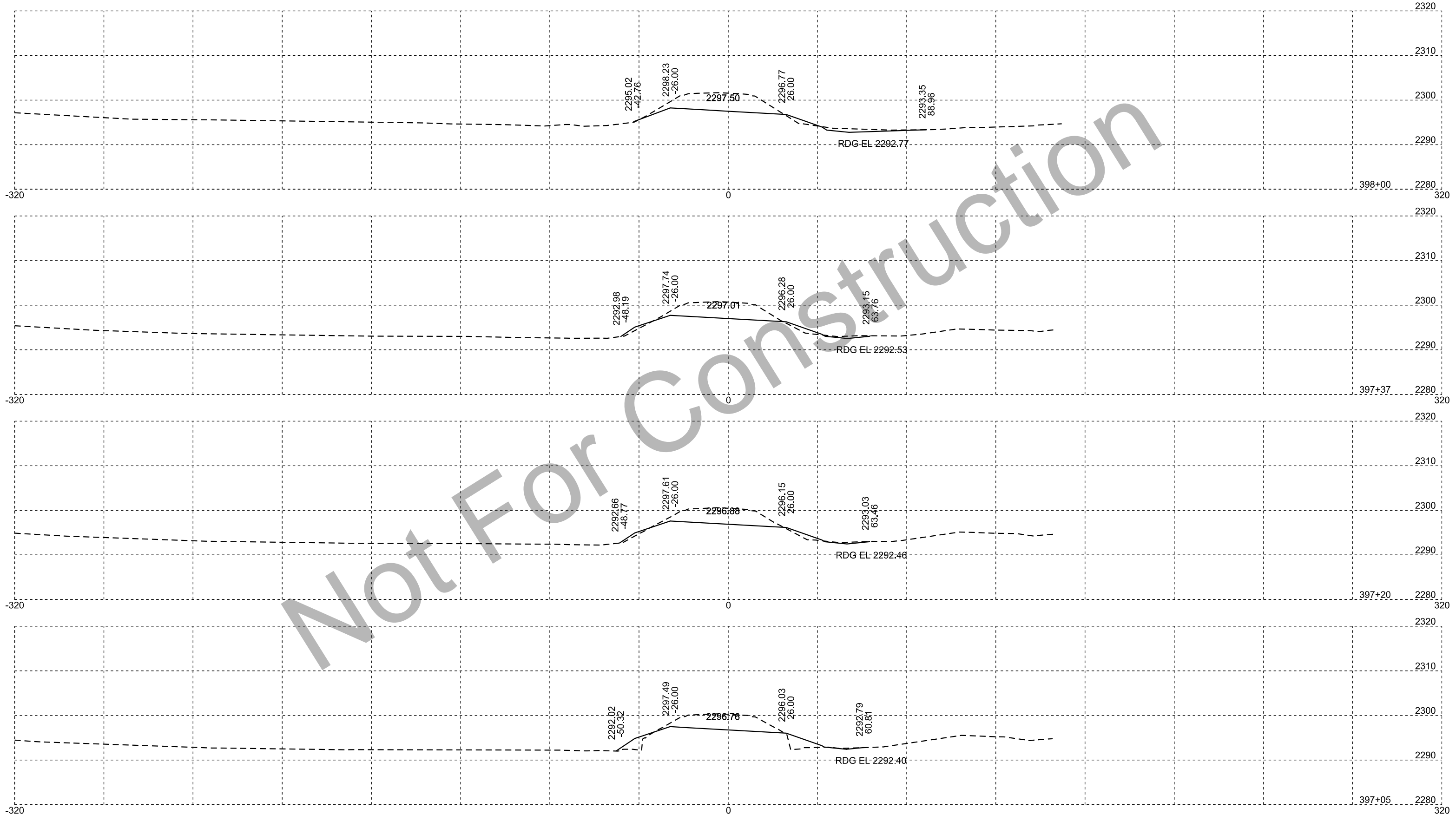
Not For Construction



STATE OF SOUTH DAKOTA	PROJECT	SHEET	TOTAL SHEETS
	NH 0012(206)112	X33	X185

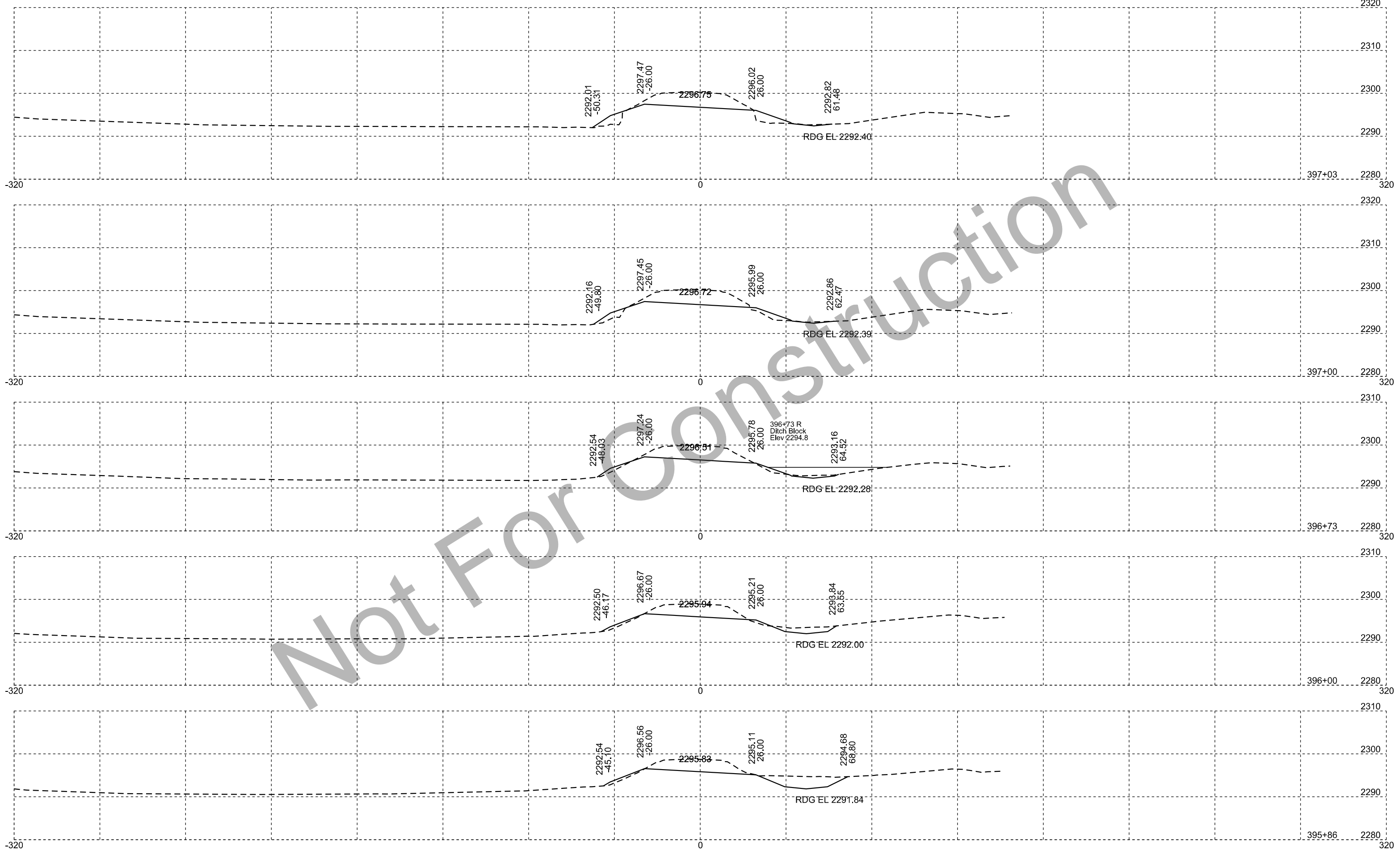


STATE OF SOUTH DAKOTA	PROJECT	SHEET	TOTAL SHEETS
	NH 0012(206)112	X34	X185



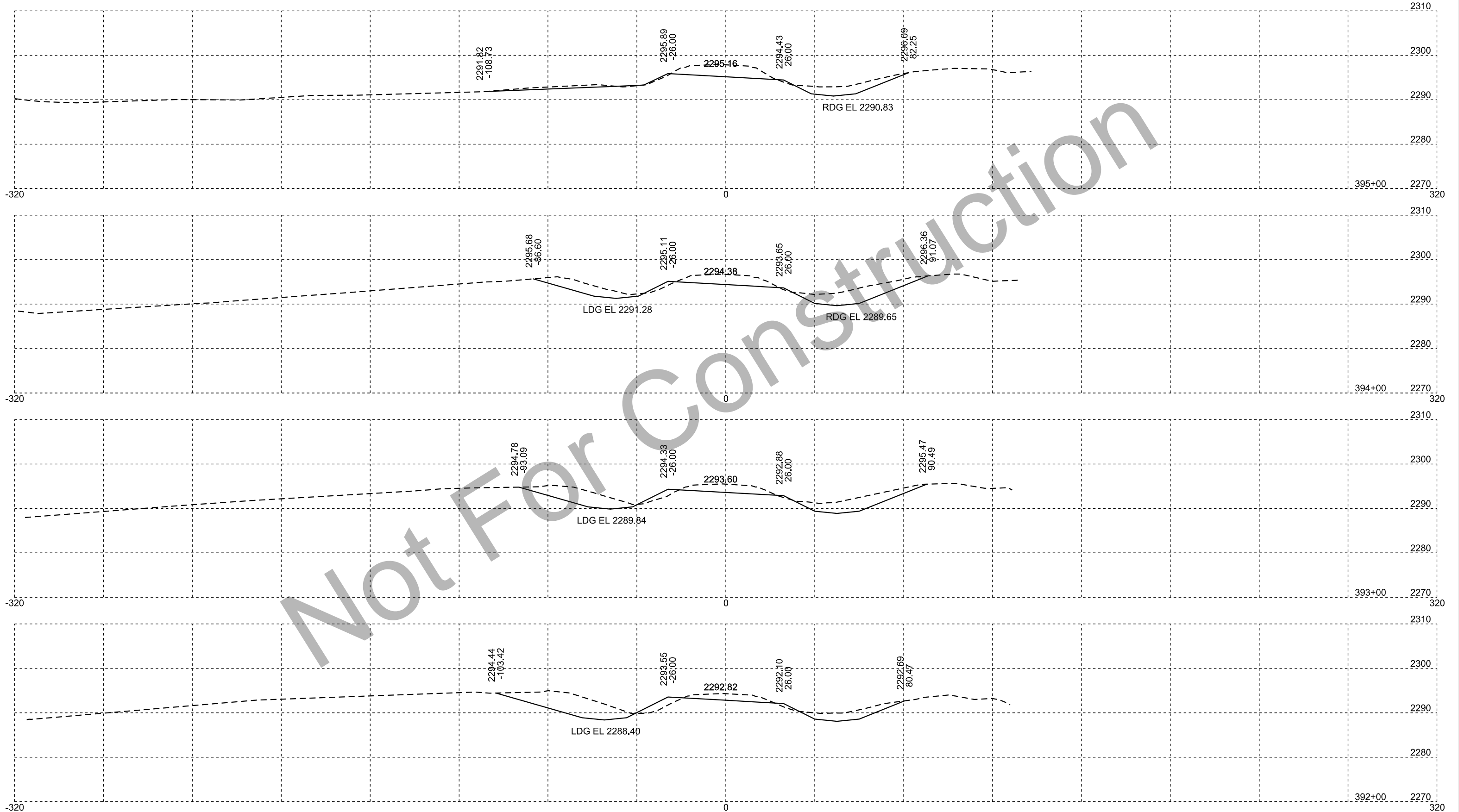
Not For Construction

STATE OF SOUTH DAKOTA	PROJECT	SHEET	TOTAL SHEETS
	NH 0012(206)112	X35	X185



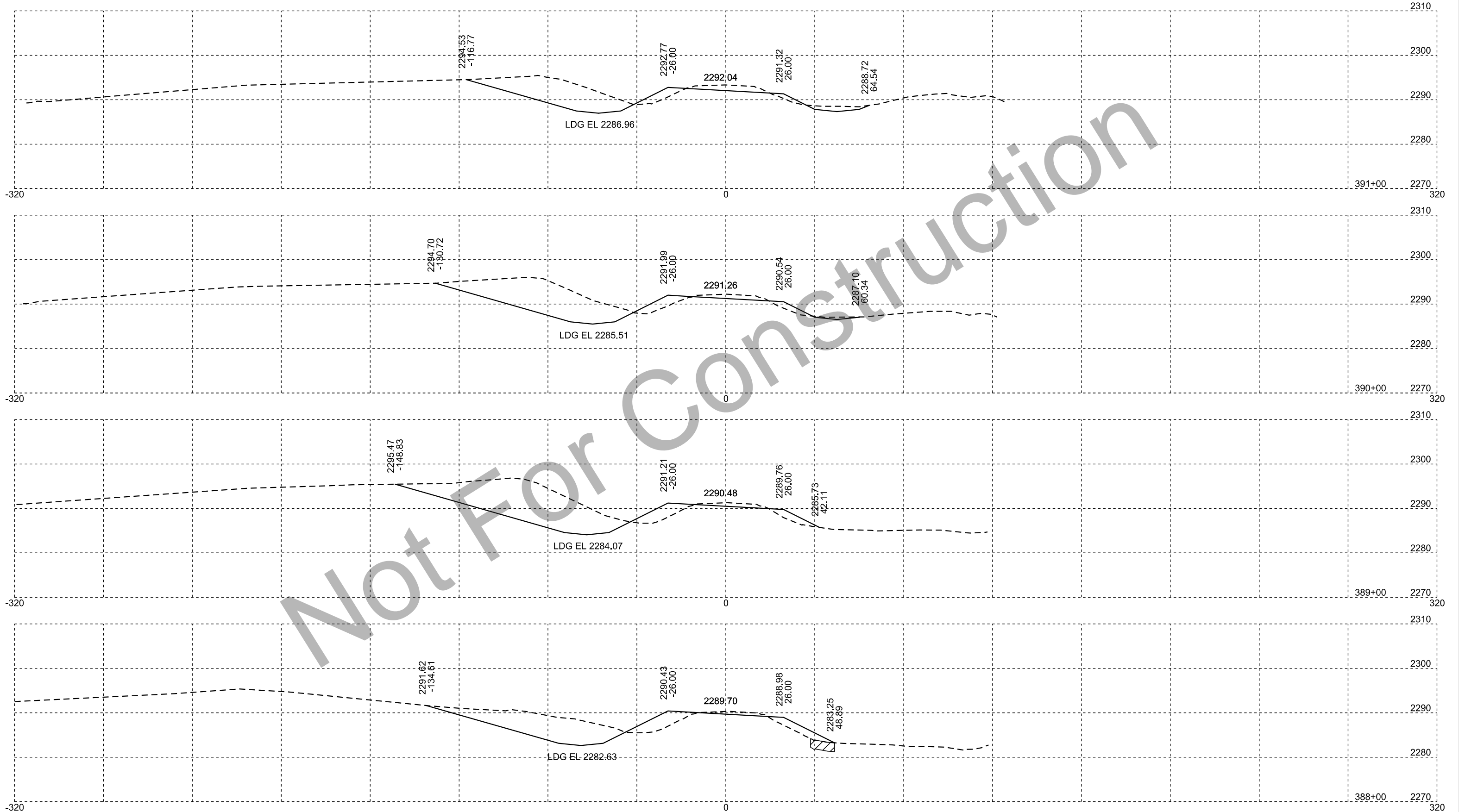
Not For Construction

STATE OF SOUTH DAKOTA	PROJECT	SHEET	TOTAL SHEETS
	NH 0012(206)112	X36	X185



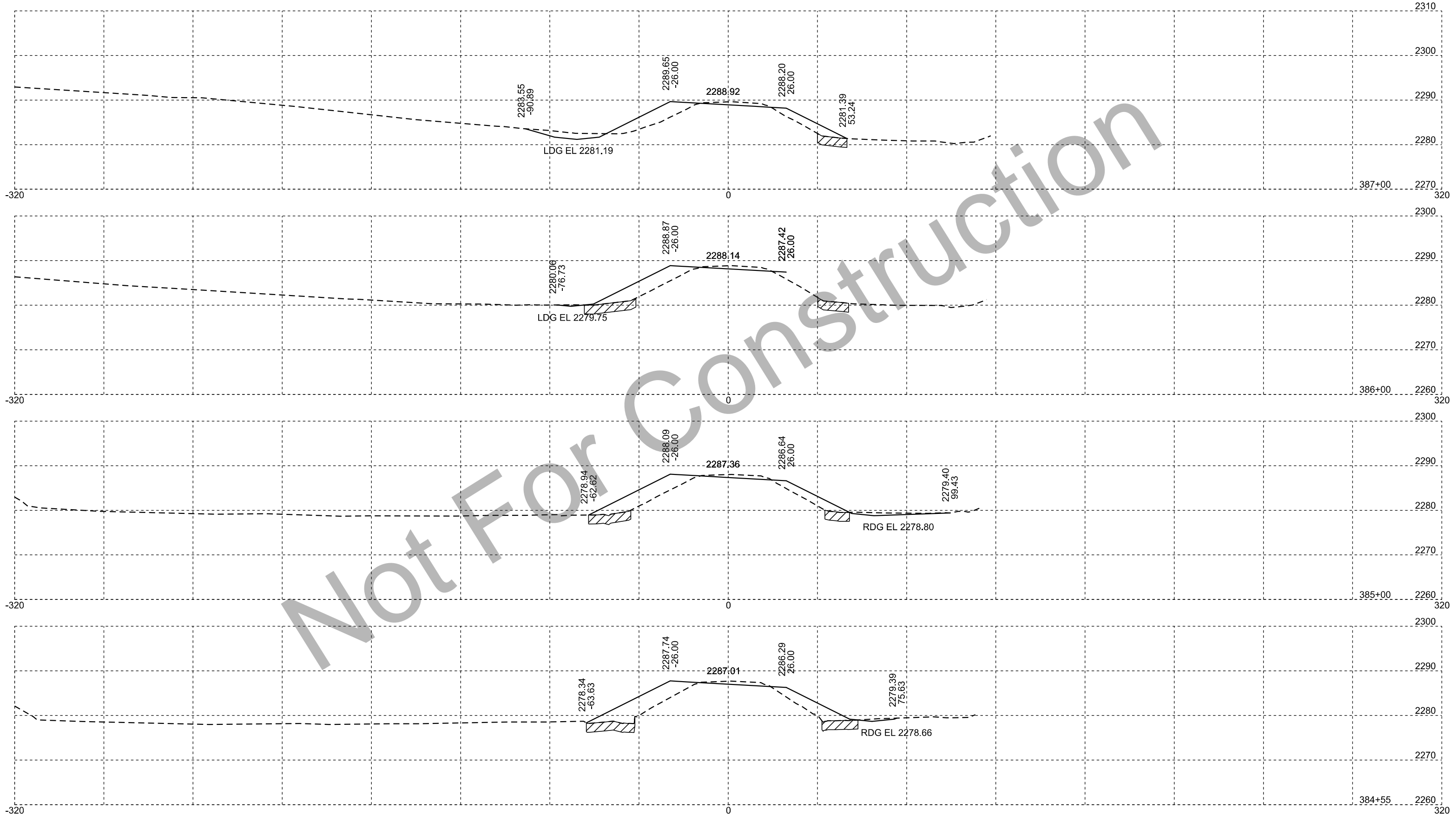
Not For Construction

STATE OF SOUTH DAKOTA	PROJECT	SHEET	TOTAL SHEETS
	NH 0012(206)112	X37	X185



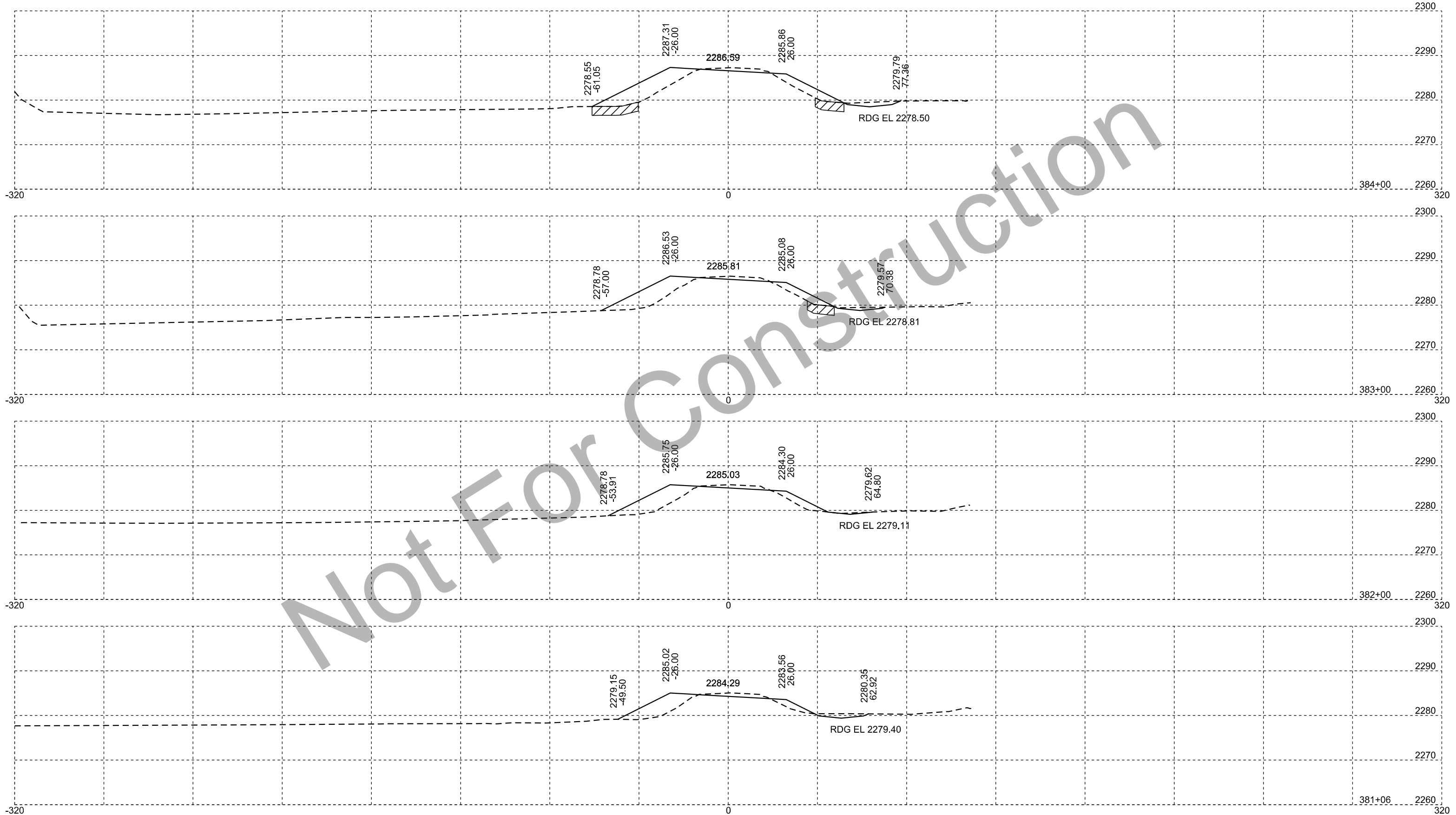
Not For Construction

STATE OF SOUTH DAKOTA	PROJECT	SHEET	TOTAL SHEETS
	NH 0012(206)112	X38	X185



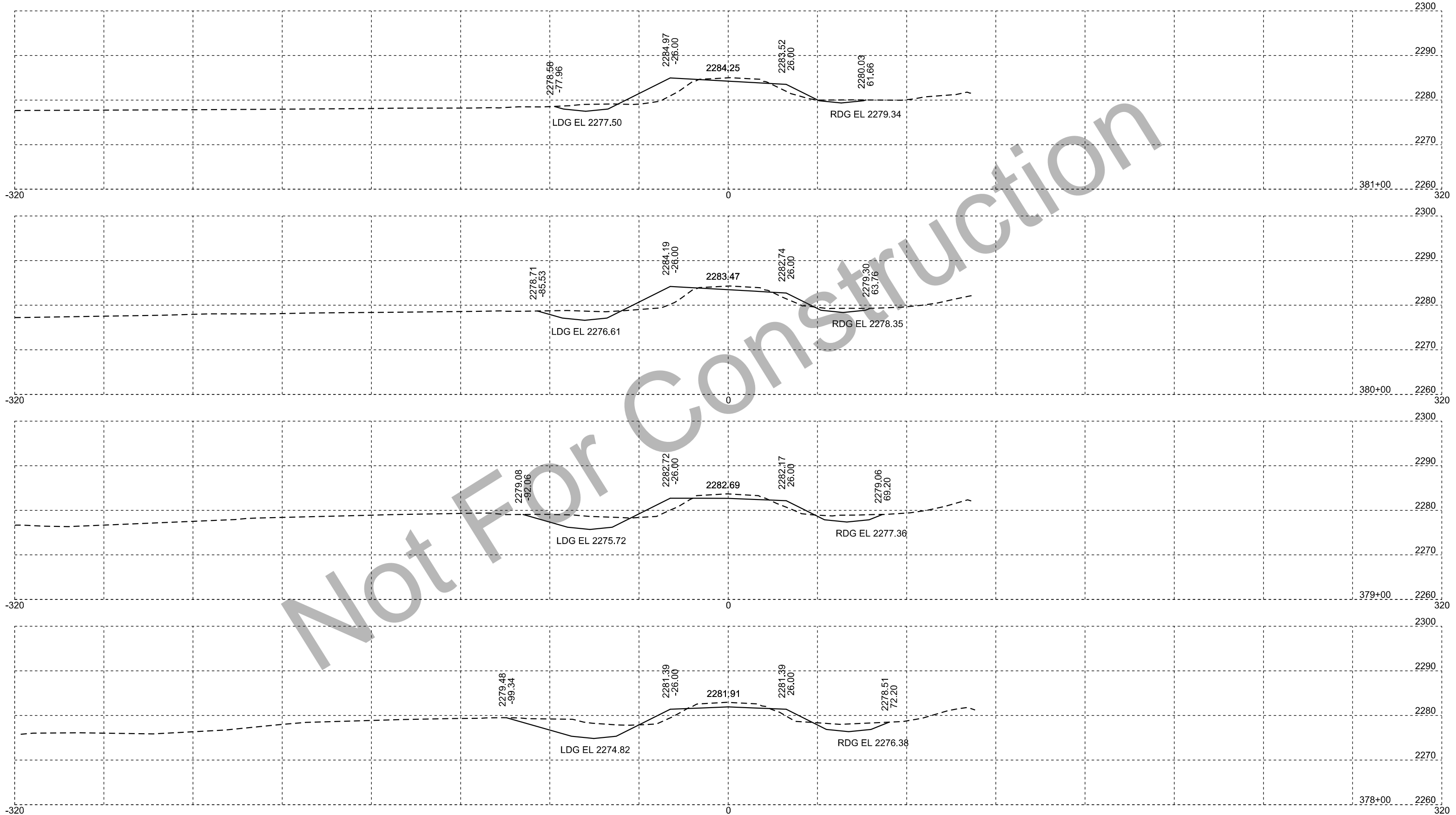
Not For Construction

STATE OF SOUTH DAKOTA	PROJECT	SHEET	TOTAL SHEETS
	NH 0012(206)112	X39	X185



Not For Construction

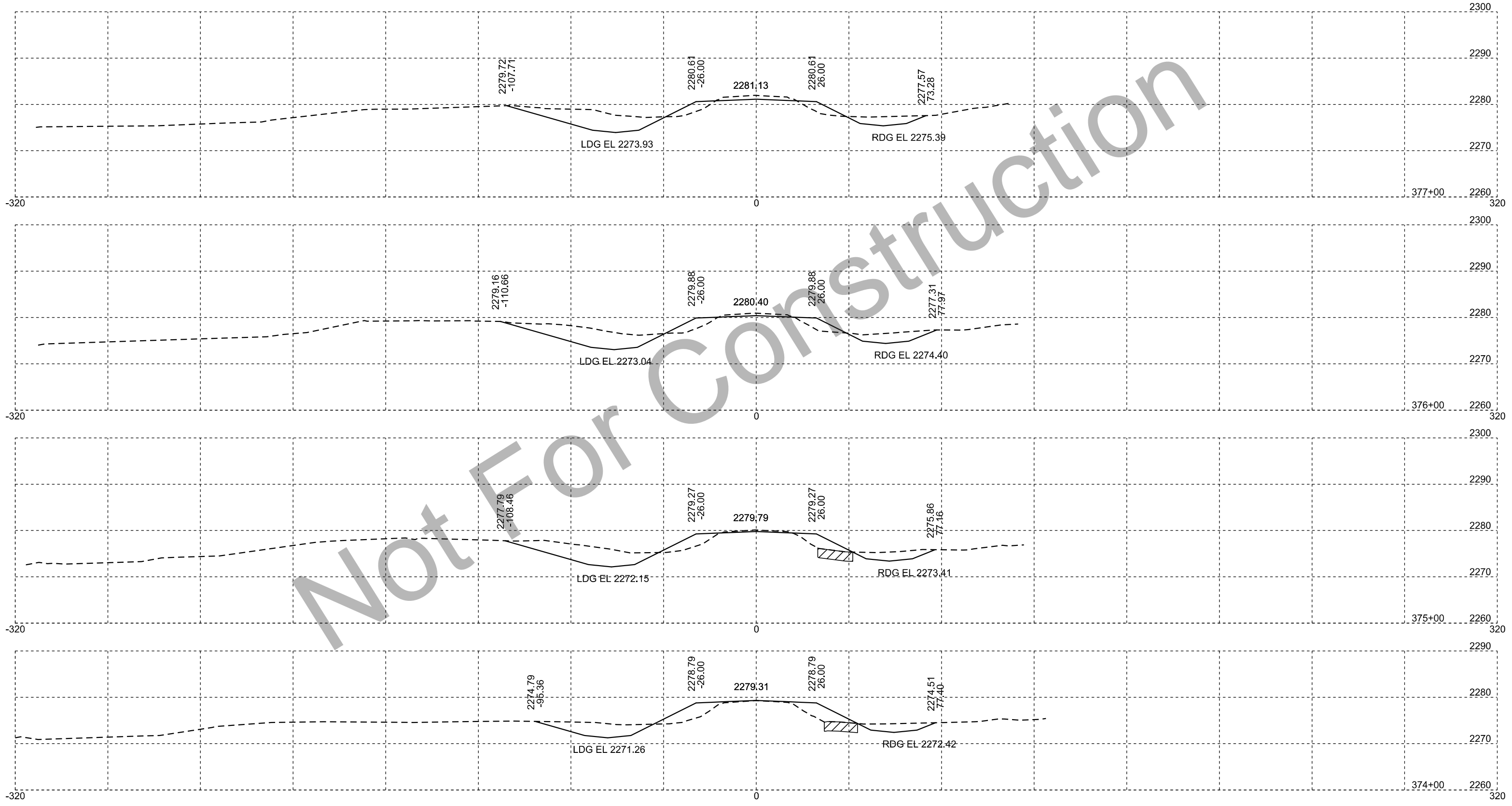
STATE OF SOUTH DAKOTA	PROJECT	SHEET	TOTAL SHEETS
	NH 0012(206)112	X40	X185



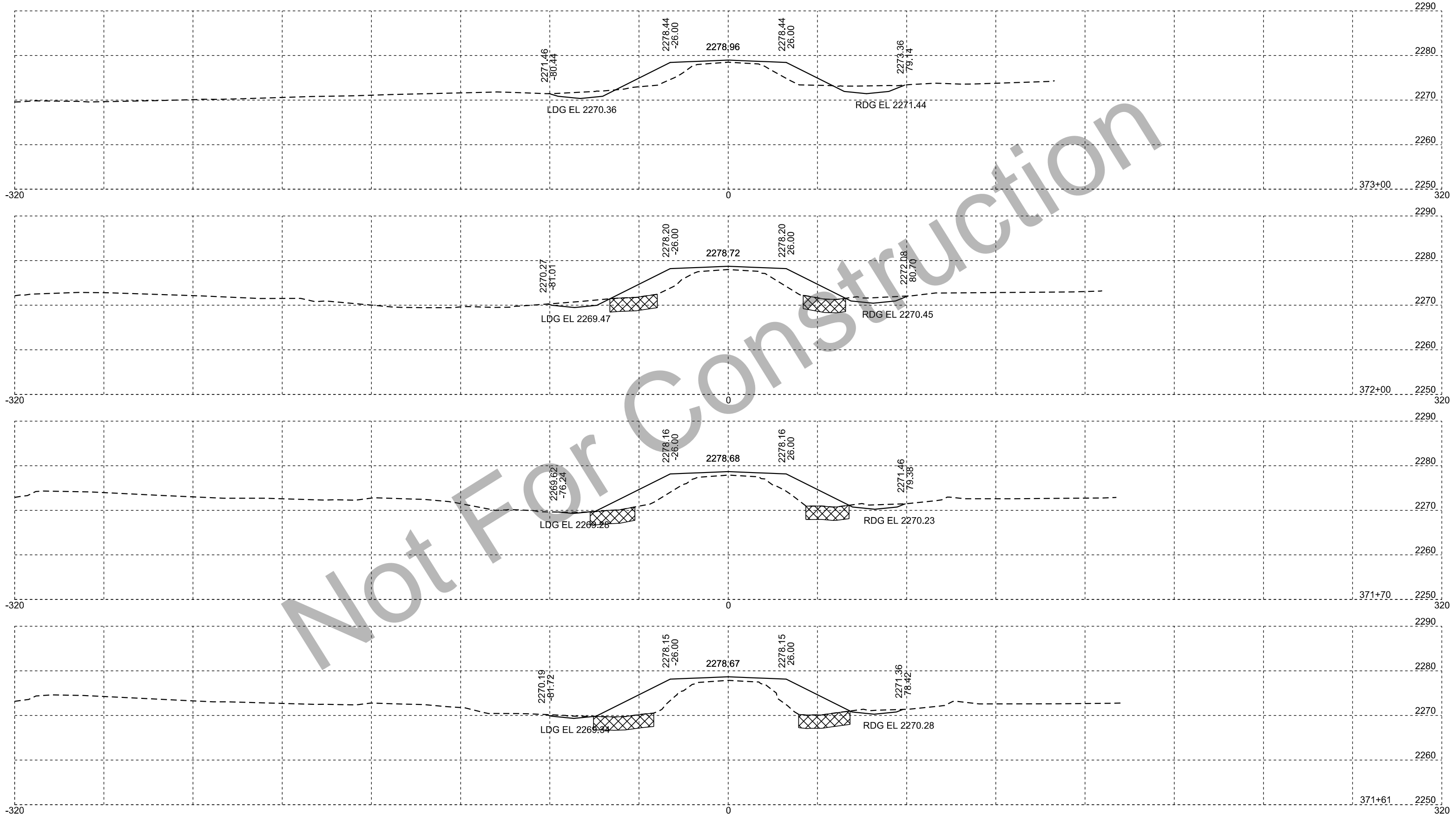
Not For Construction



STATE OF SOUTH DAKOTA	PROJECT	SHEET	TOTAL SHEETS
	NH 0012(206)112	X41	X185

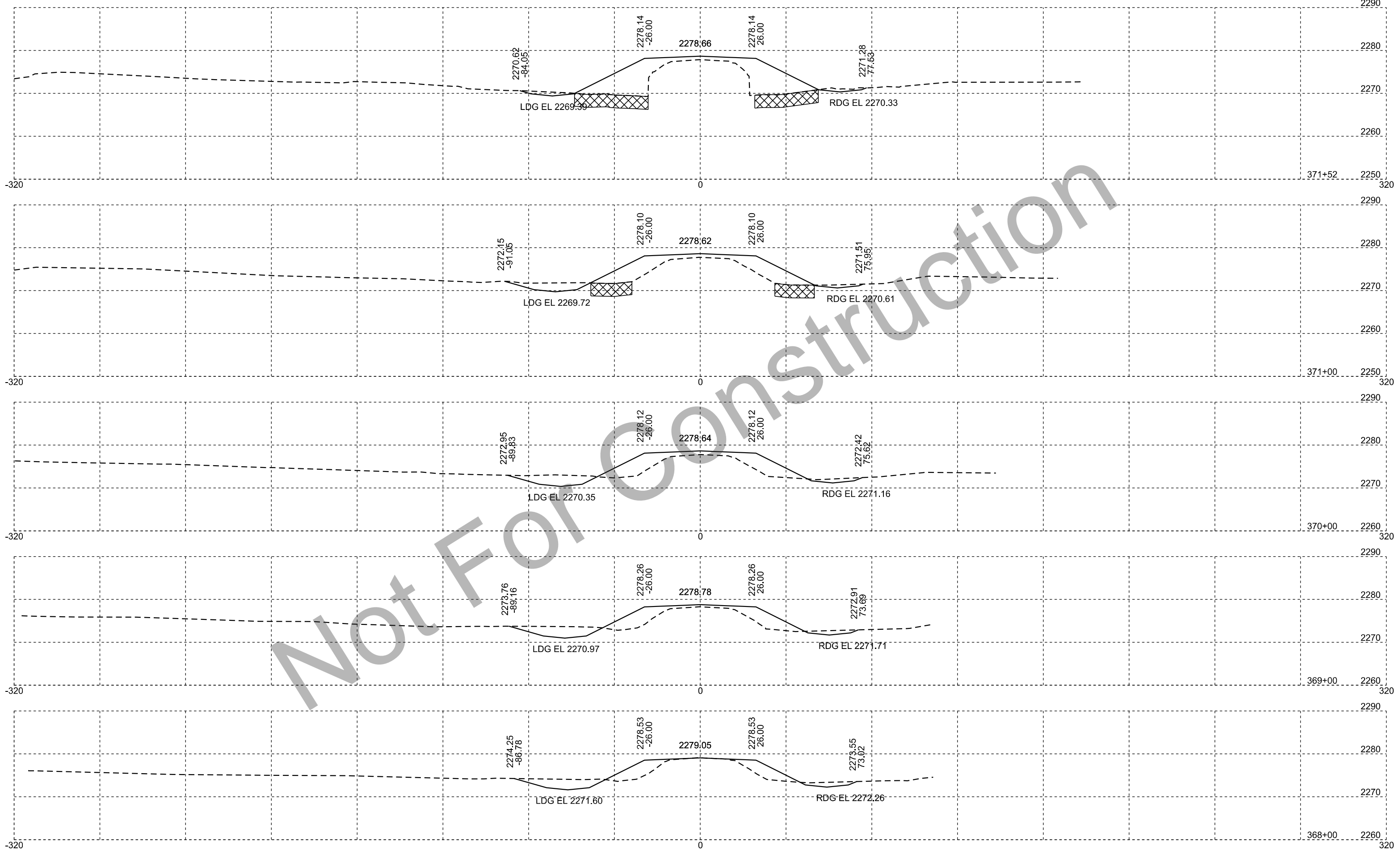


STATE OF SOUTH DAKOTA	PROJECT	SHEET	TOTAL SHEETS
	NH 0012(206)112	X42	X185



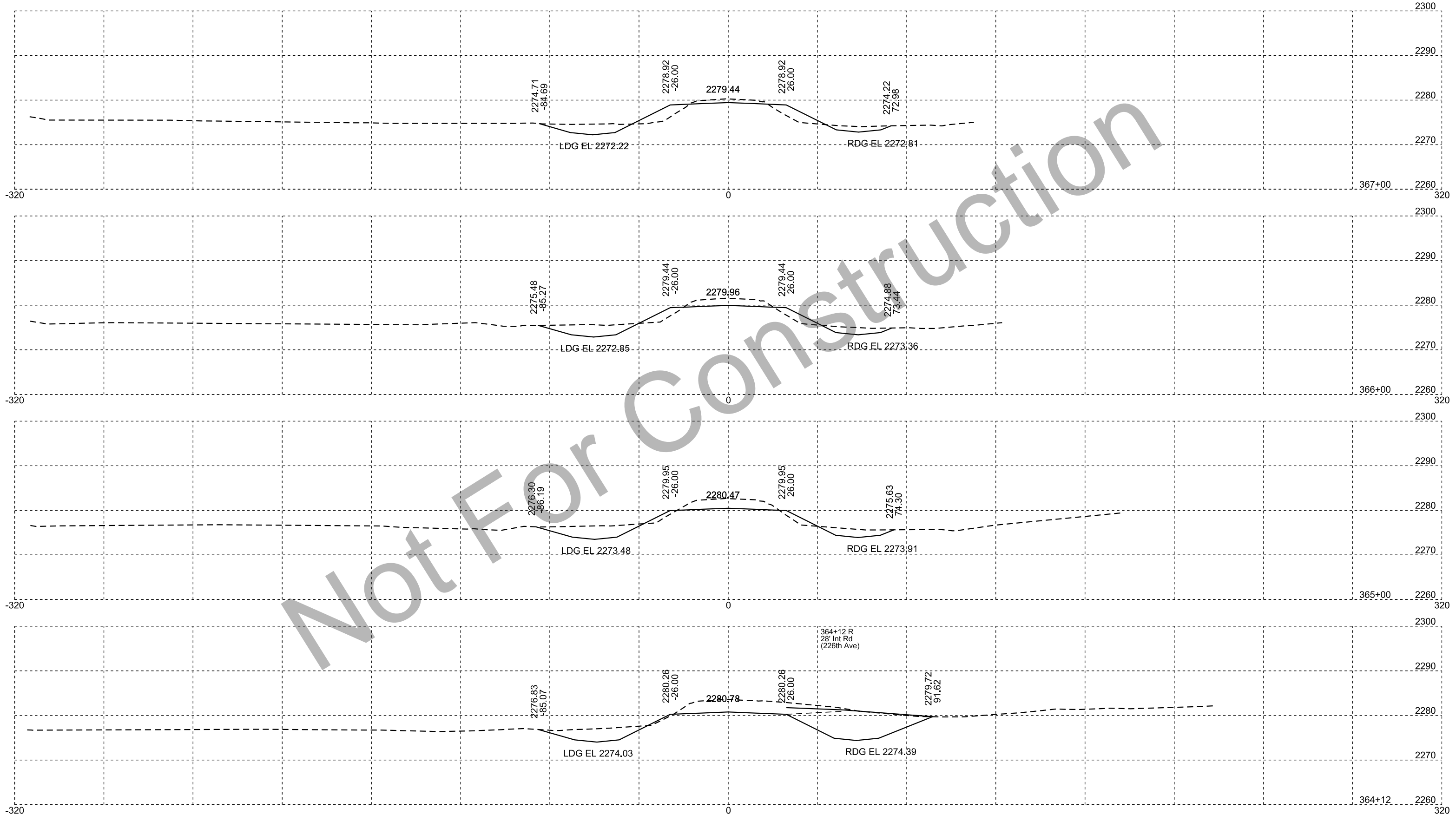
Not For Construction

STATE OF SOUTH DAKOTA	PROJECT	SHEET	TOTAL SHEETS
	NH 0012(206)112	X43	X185



Not For Construction

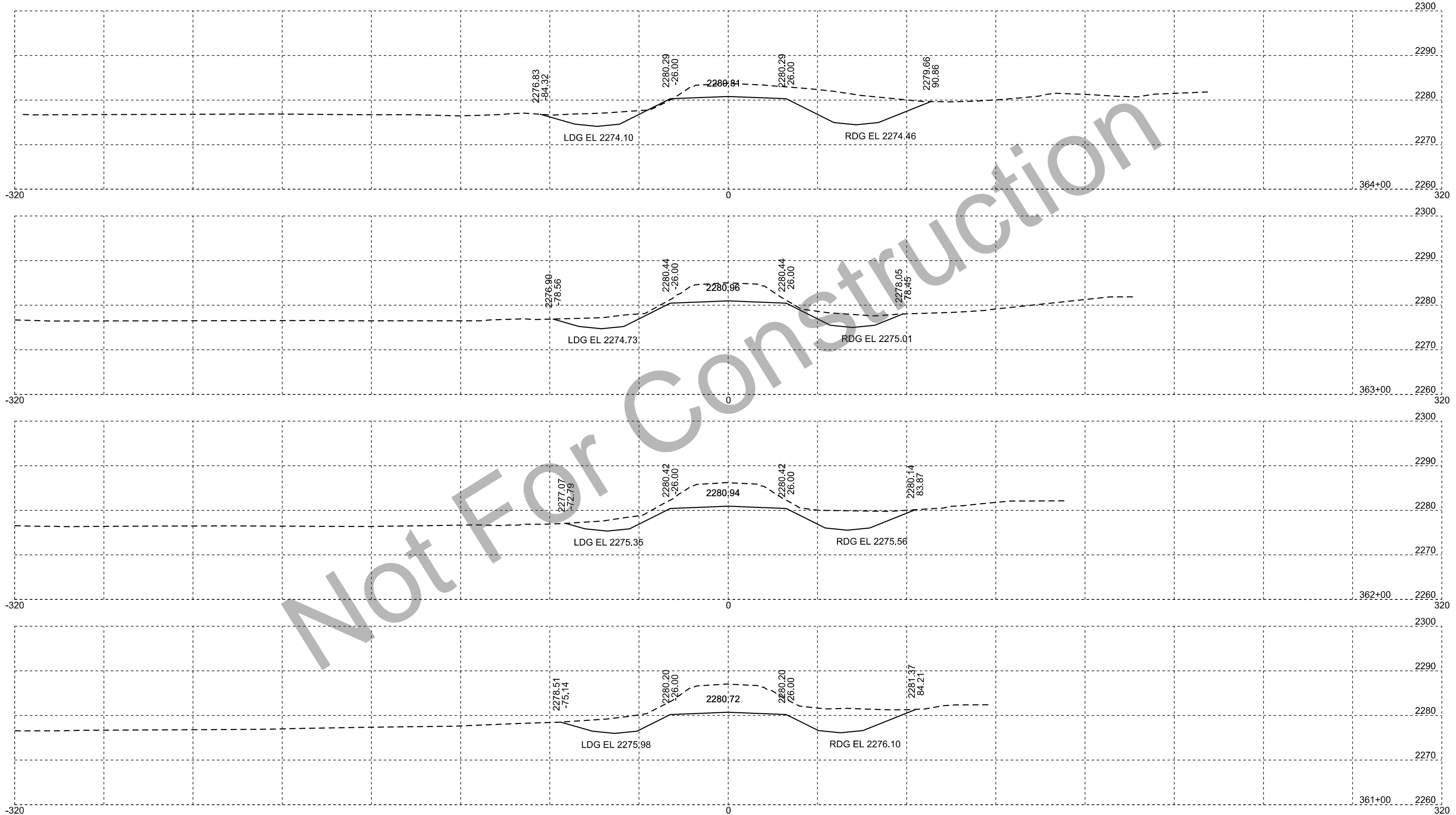
STATE OF SOUTH DAKOTA	PROJECT	SHEET	TOTAL SHEETS
	NH 0012(206)112	X44	X185



Not For Construction

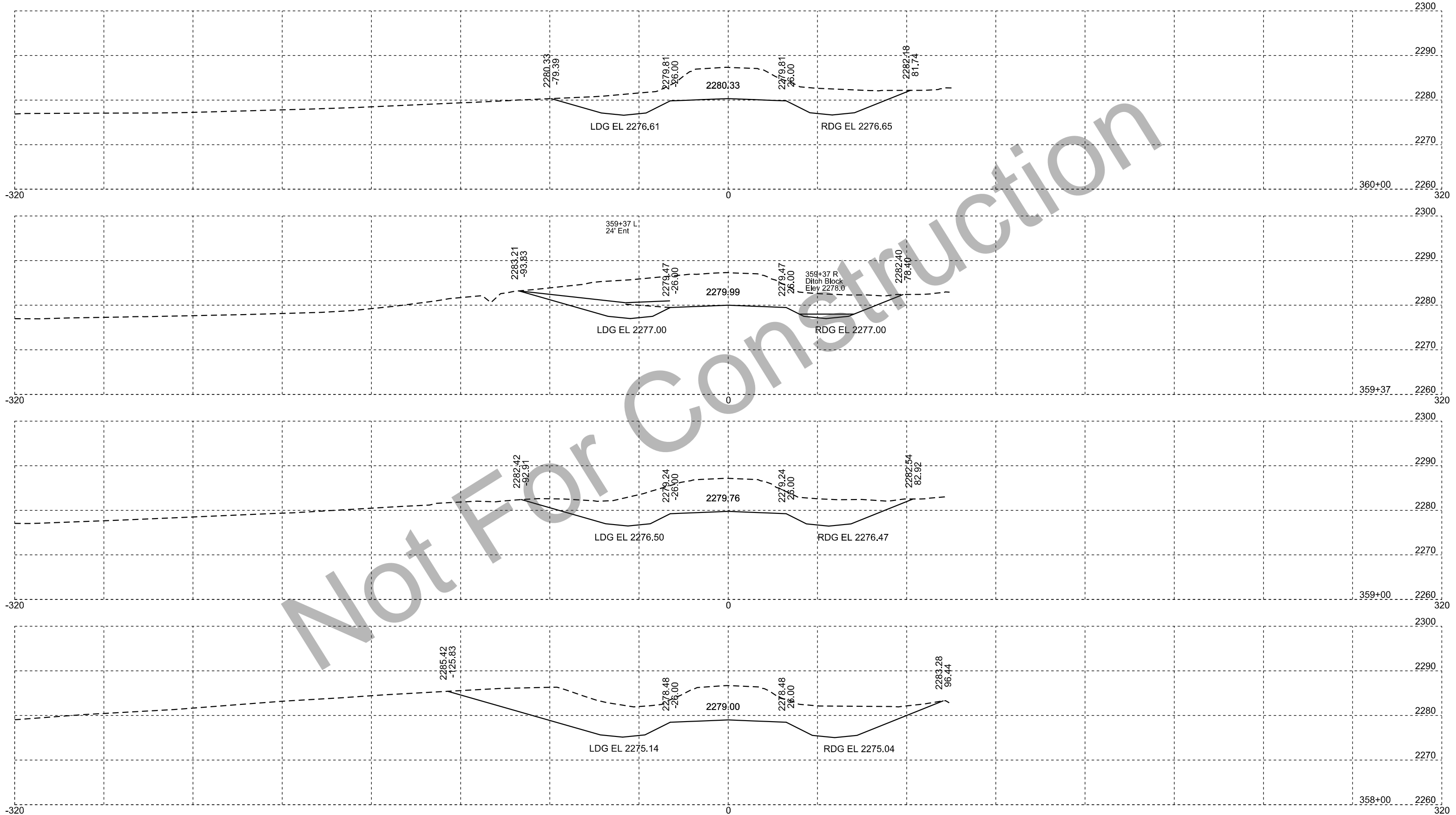
364+12 R  
28' Int Rd  
(226th Ave)

STATE OF SOUTH DAKOTA	PROJECT	SHEET	TOTAL SHEETS
	NH 0012(206)112	X45	X185



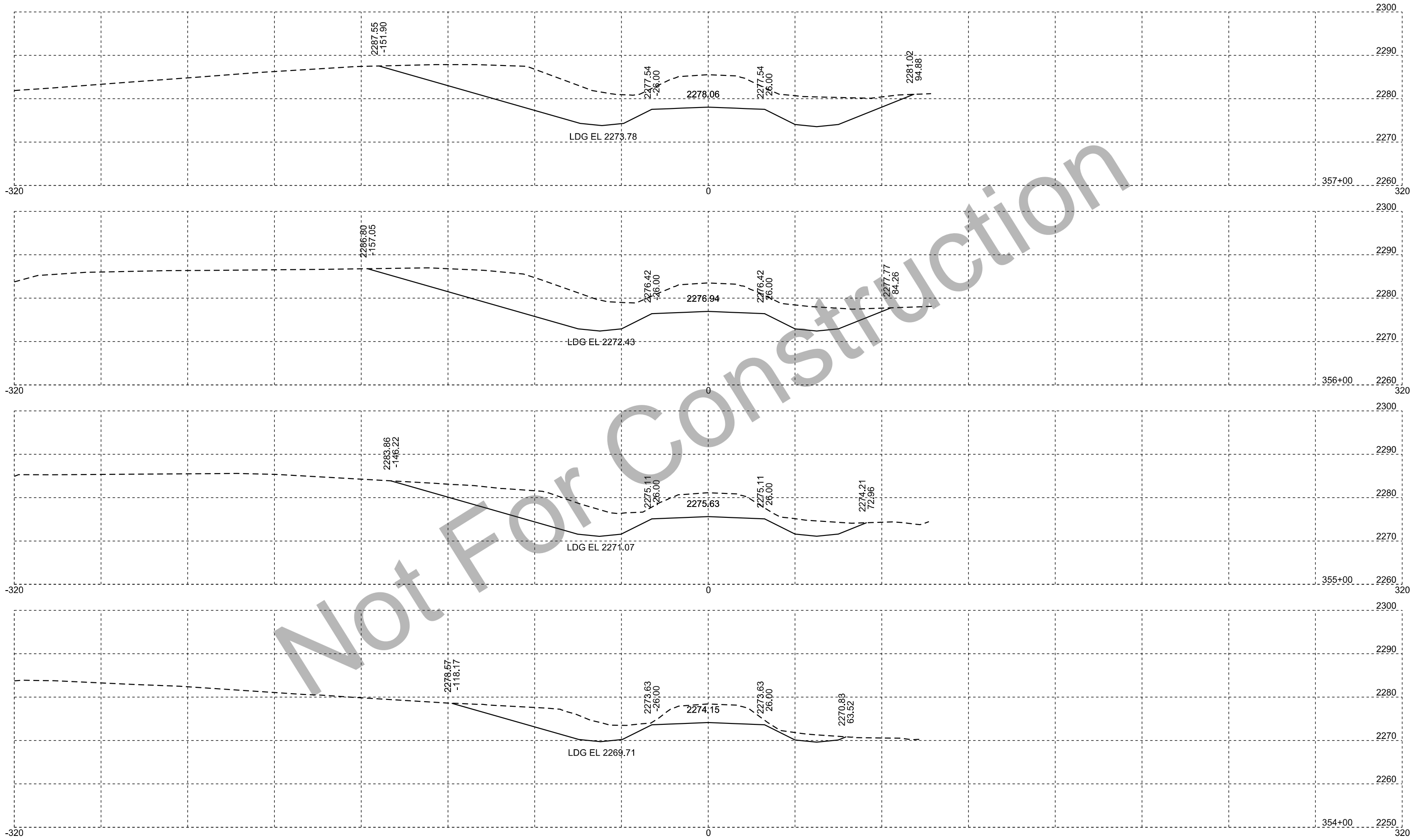
Not For Construction

STATE OF SOUTH DAKOTA	PROJECT	SHEET	TOTAL SHEETS
	NH 0012(206)112	X46	X185



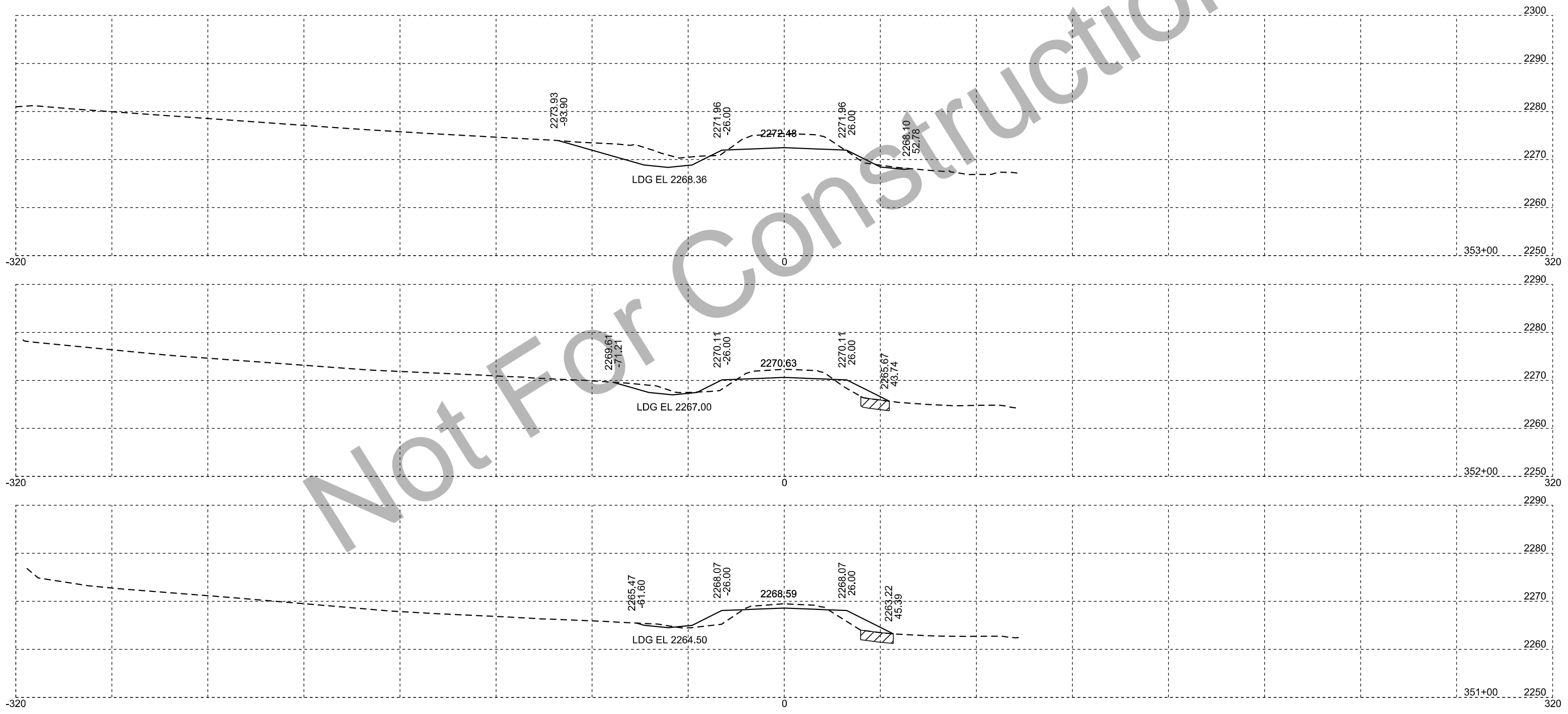
Not For Construction

STATE OF SOUTH DAKOTA	PROJECT	SHEET	TOTAL SHEETS
	NH 0012(206)112	X47	X185



Not For Construction

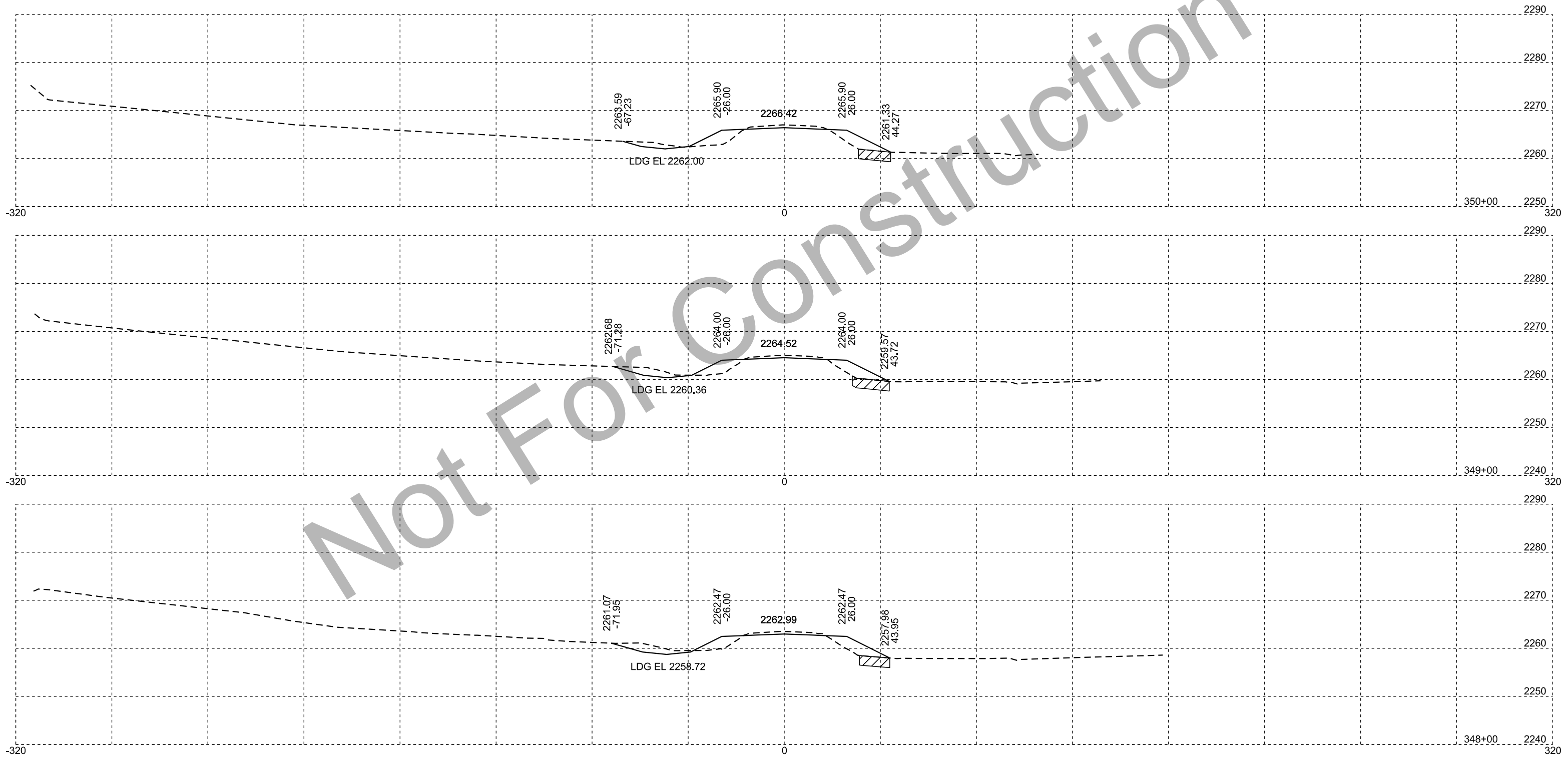
STATE OF SOUTH DAKOTA	PROJECT	SHEET	TOTAL SHEETS
	NH 0012(206)112	X48	X185



Not For Construction

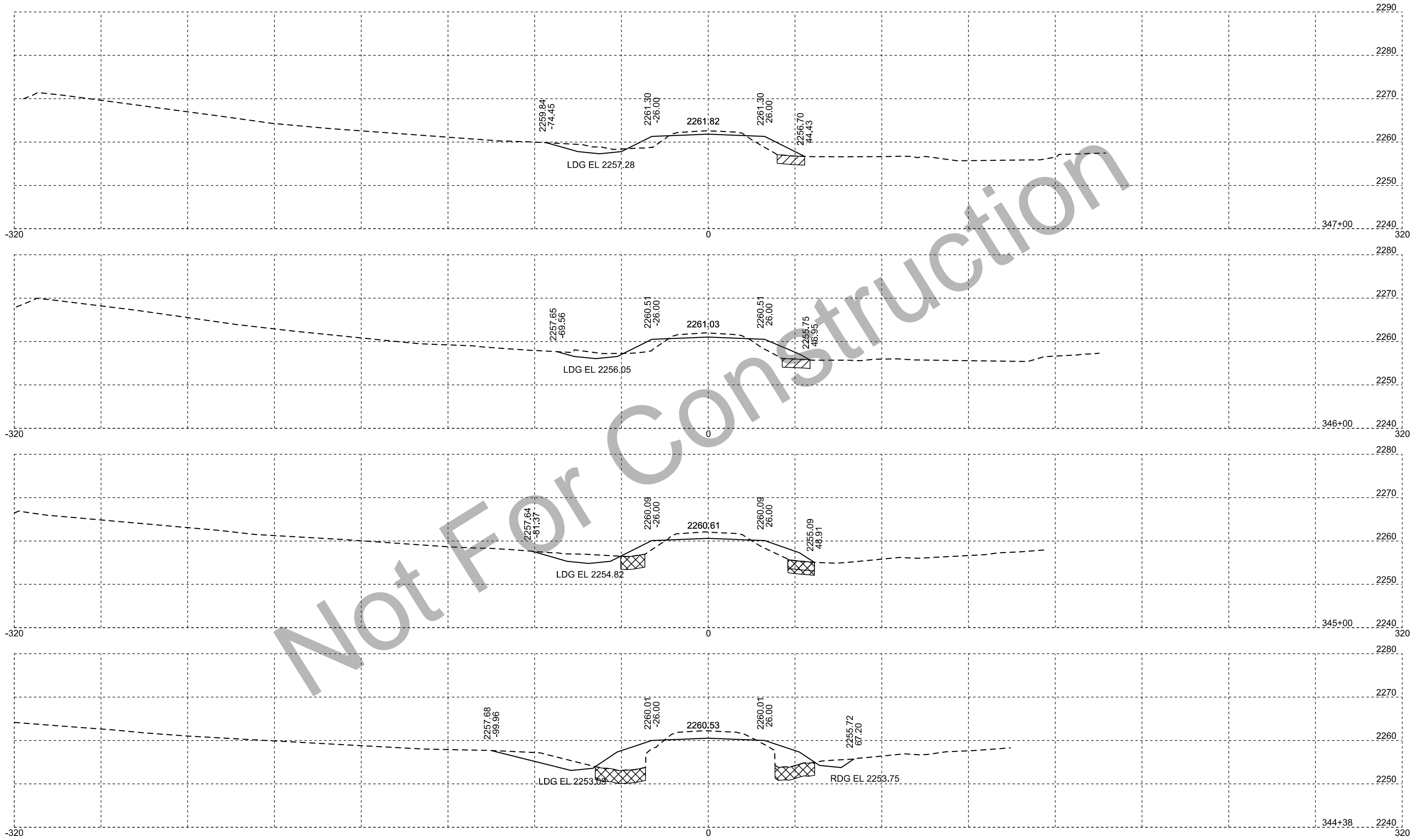


STATE OF SOUTH DAKOTA	PROJECT	SHEET	TOTAL SHEETS
	NH 0012(206)112	X49	X185



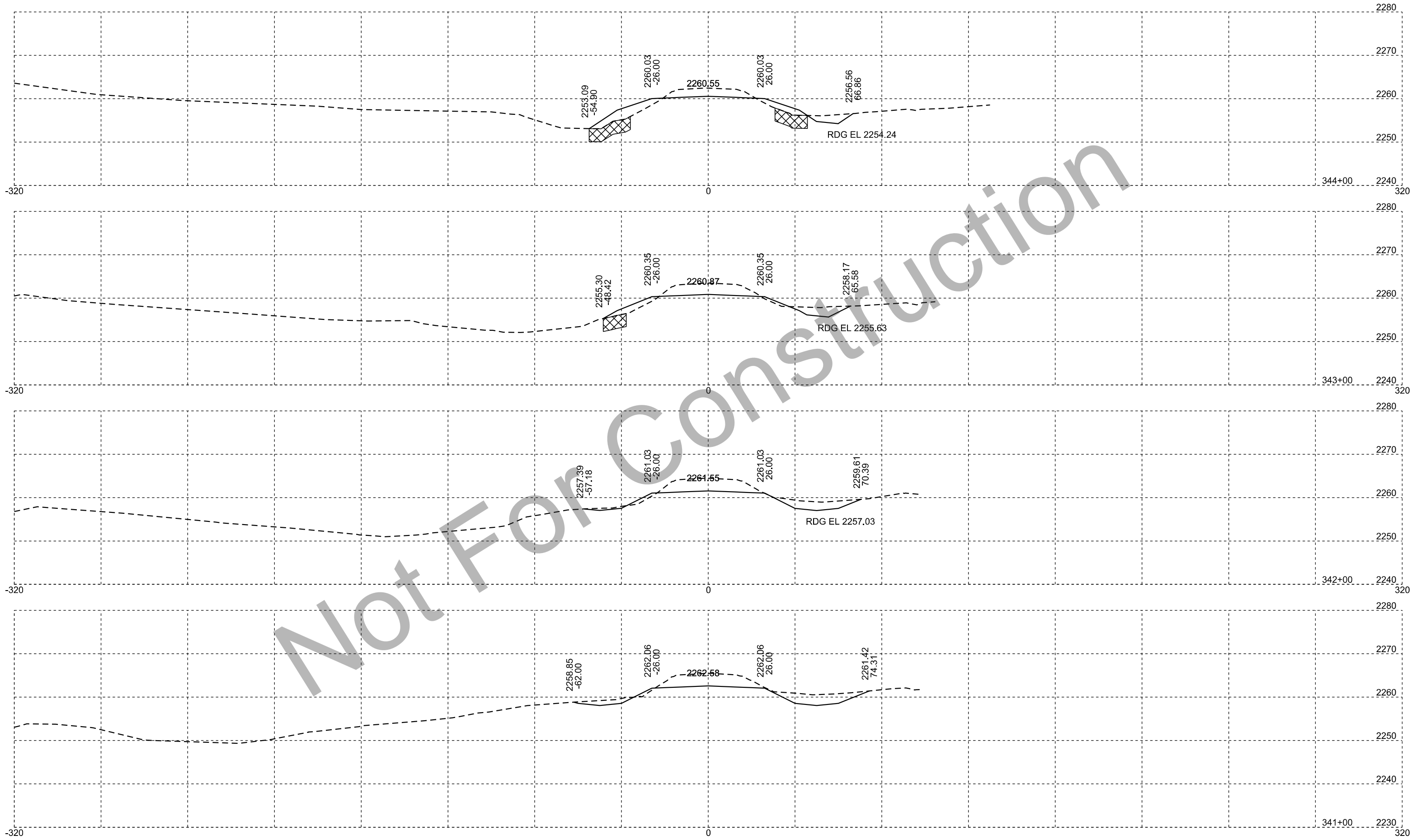
Not For Construction

STATE OF SOUTH DAKOTA	PROJECT	SHEET	TOTAL SHEETS
	NH 0012(206)112	X50	X185

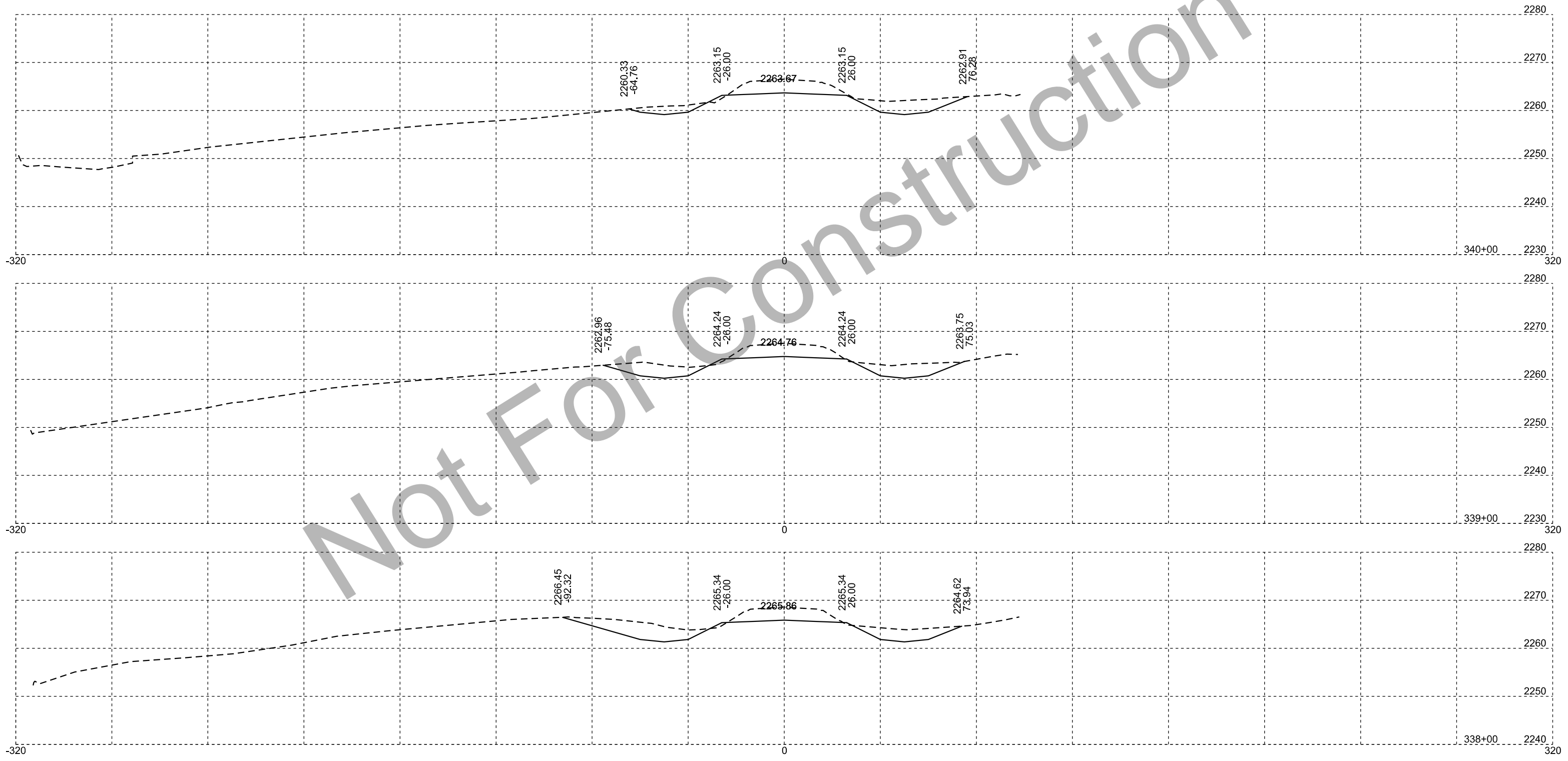


Not For Construction

STATE OF SOUTH DAKOTA	PROJECT	SHEET	TOTAL SHEETS
	NH 0012(206)112	X51	X185

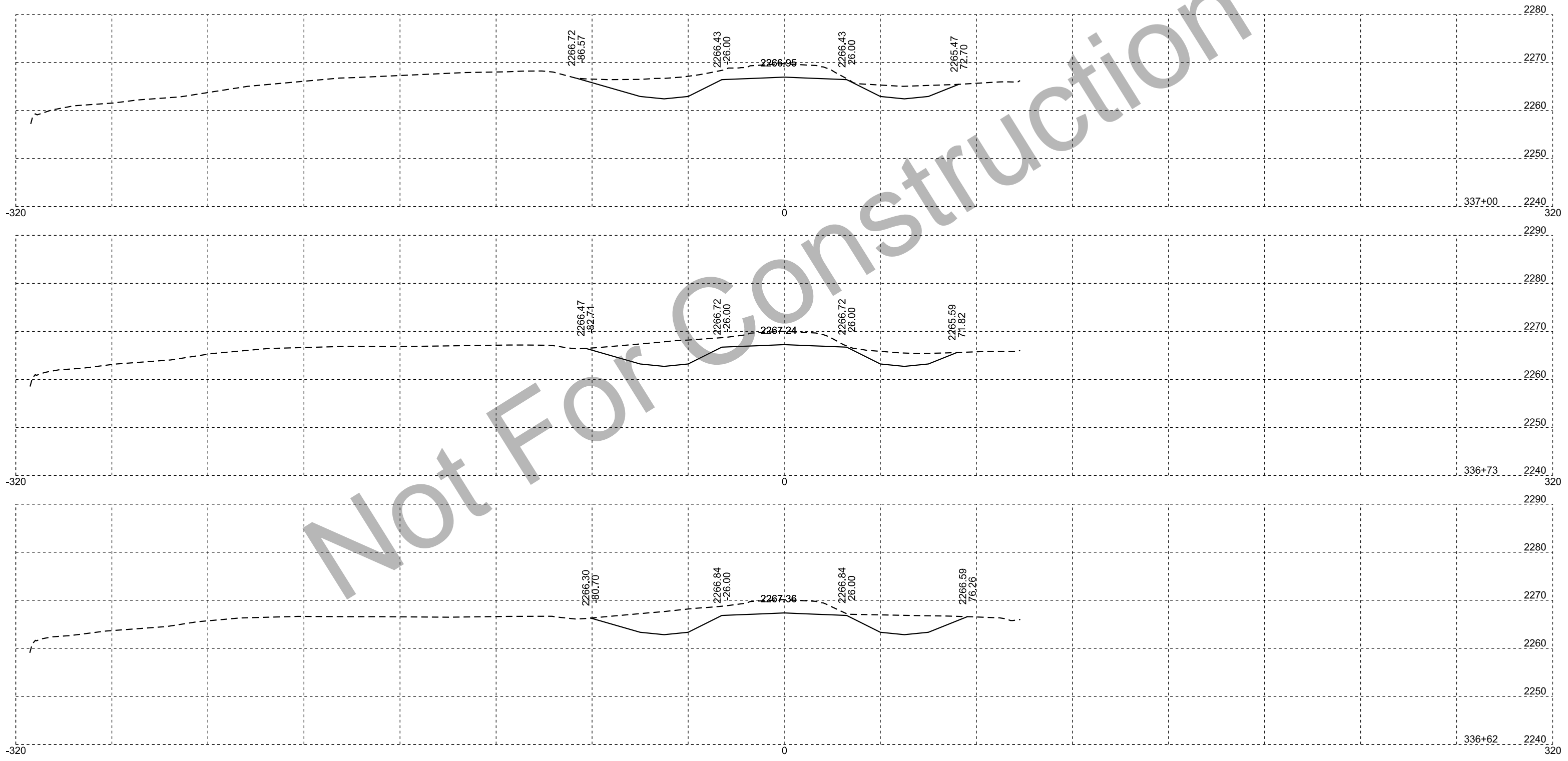


STATE OF SOUTH DAKOTA	PROJECT	SHEET	TOTAL SHEETS
	NH 0012(206)112	X52	X185

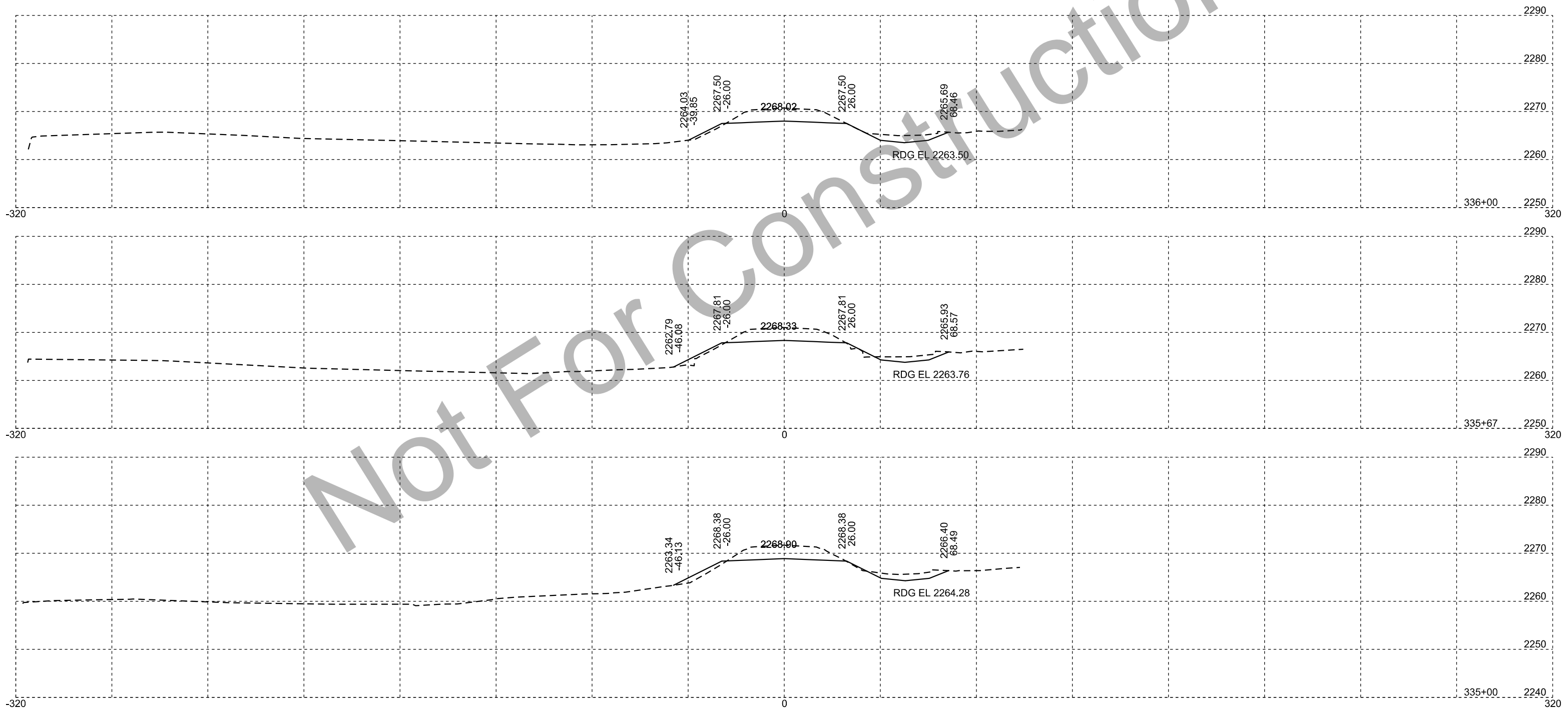


Not For Construction

STATE OF SOUTH DAKOTA	PROJECT	SHEET	TOTAL SHEETS
	NH 0012(206)112	X53	X185

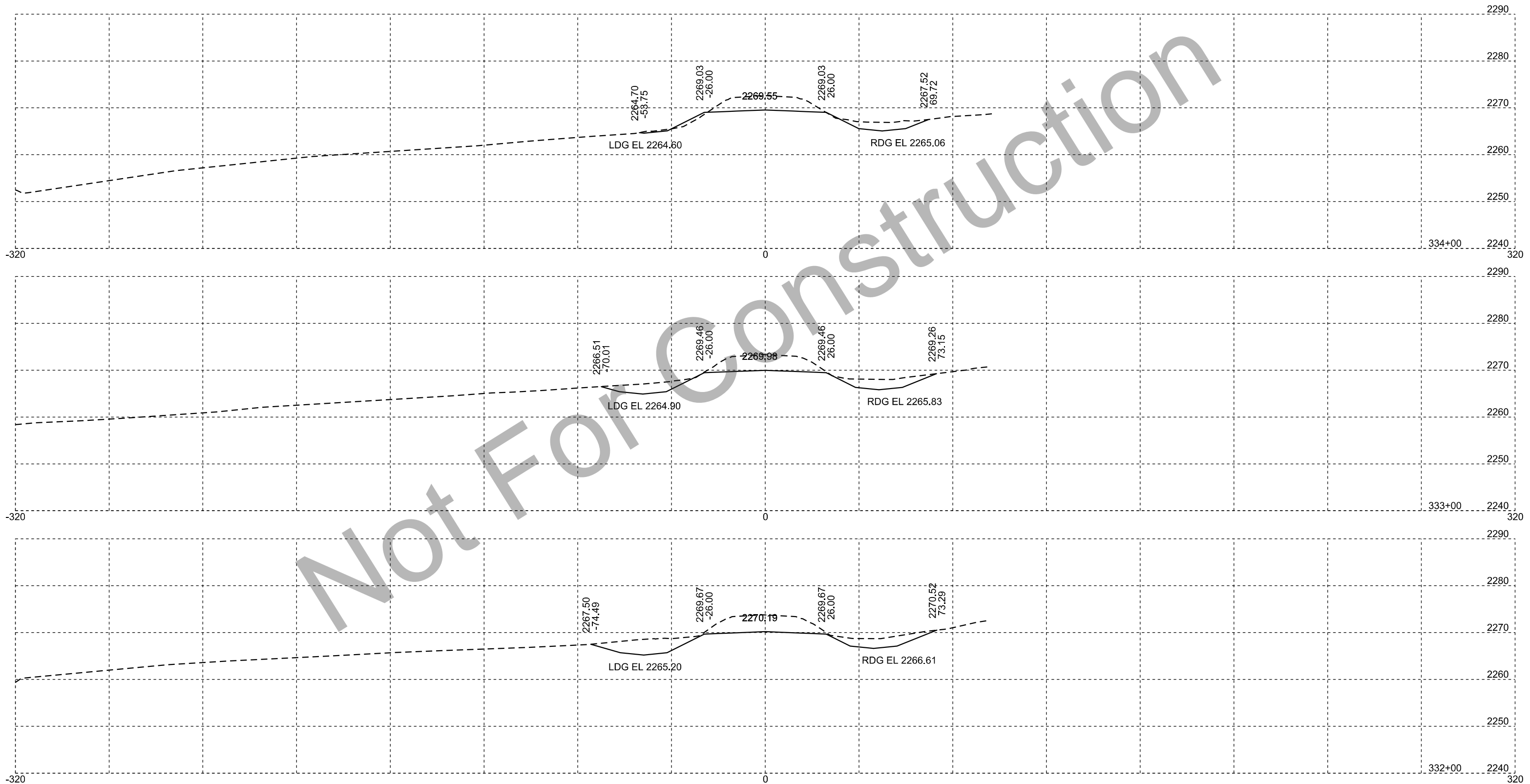


STATE OF SOUTH DAKOTA	PROJECT	SHEET	TOTAL SHEETS
	NH 0012(206)112	X54	X185

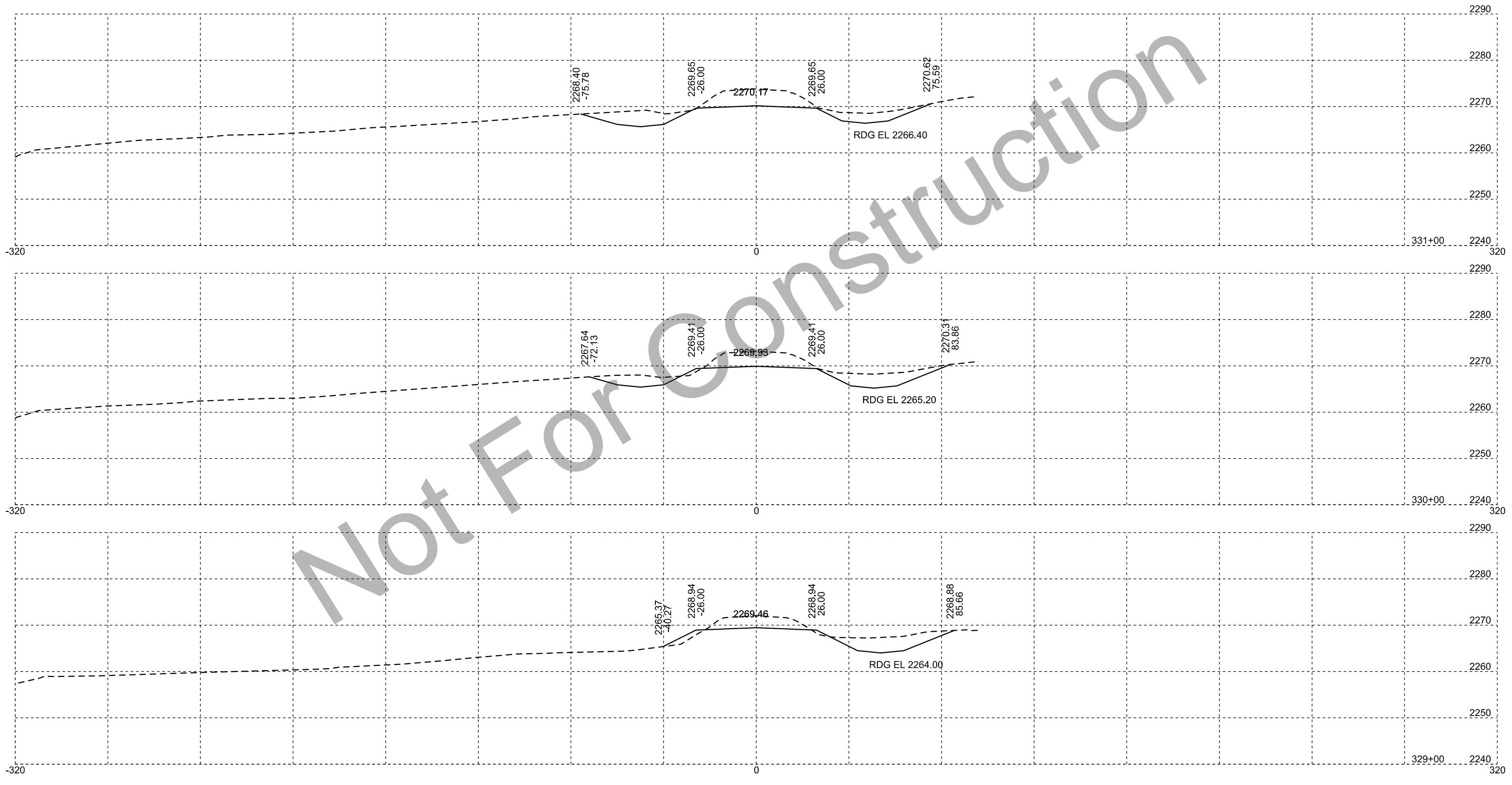


Not For Construction

STATE OF SOUTH DAKOTA	PROJECT	SHEET	TOTAL SHEETS
	NH 0012(206)112	X55	X185



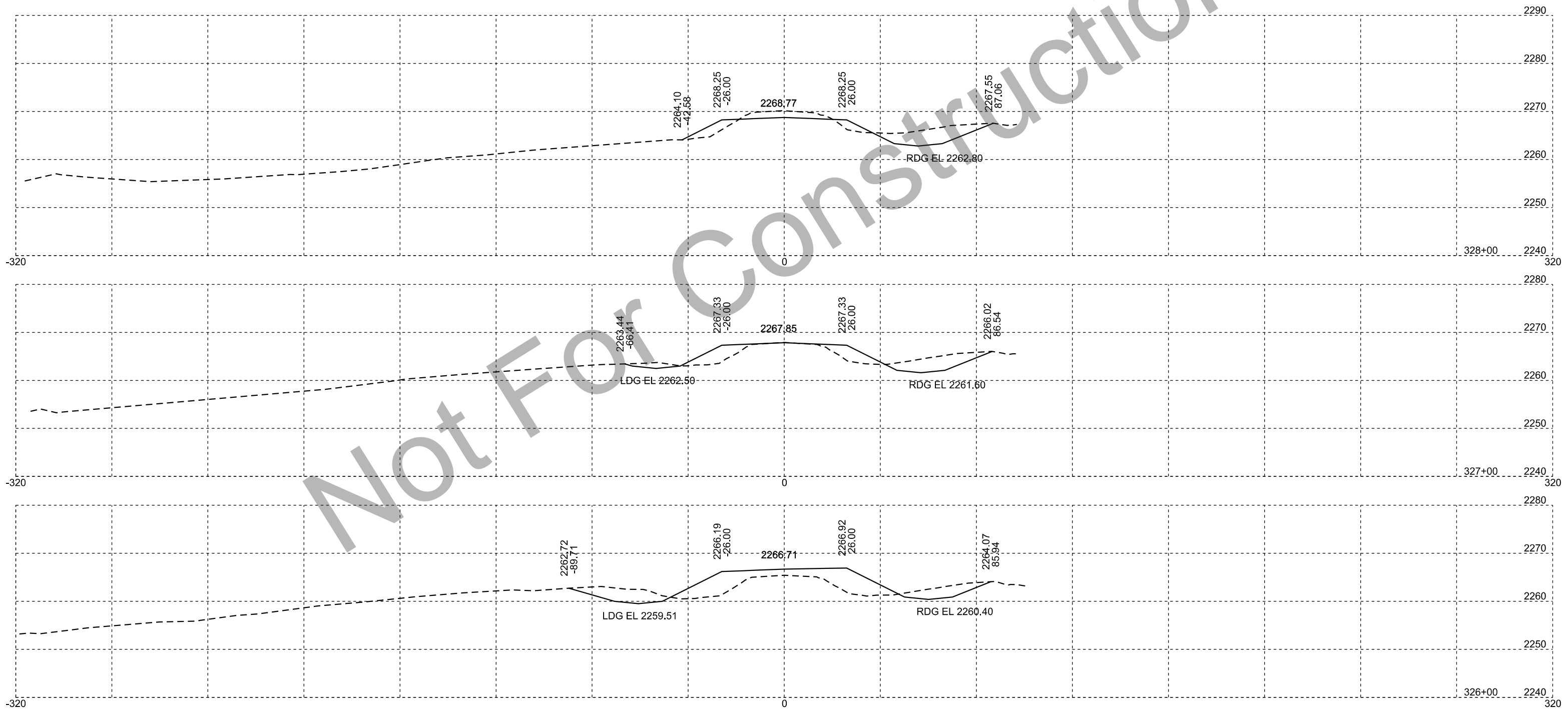
STATE OF SOUTH DAKOTA	PROJECT	SHEET	TOTAL SHEETS
	NH 0012(206)112	X56	X185



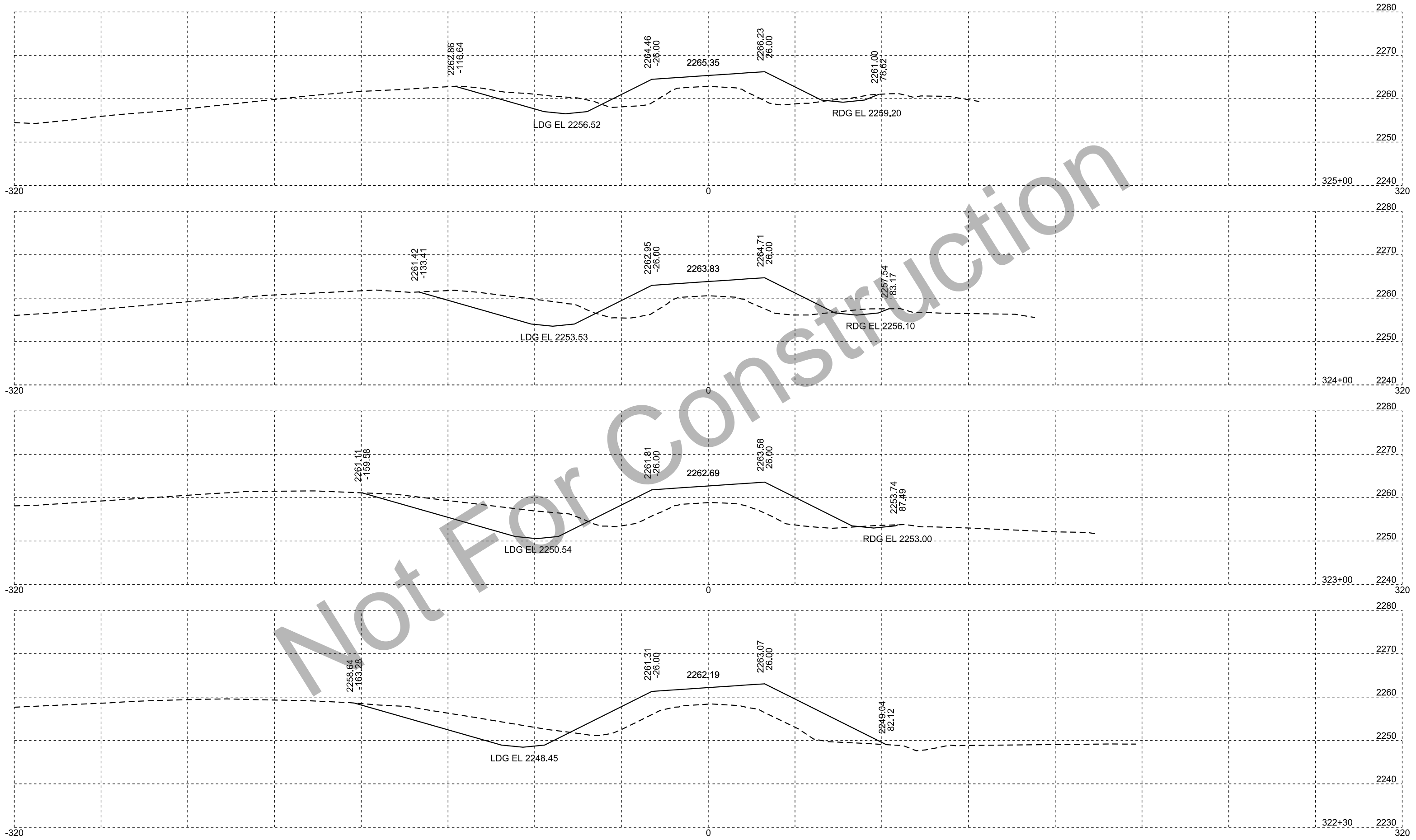
Not For Construction



STATE OF SOUTH DAKOTA	PROJECT	SHEET	TOTAL SHEETS
	NH 0012(206)112	X57	X185

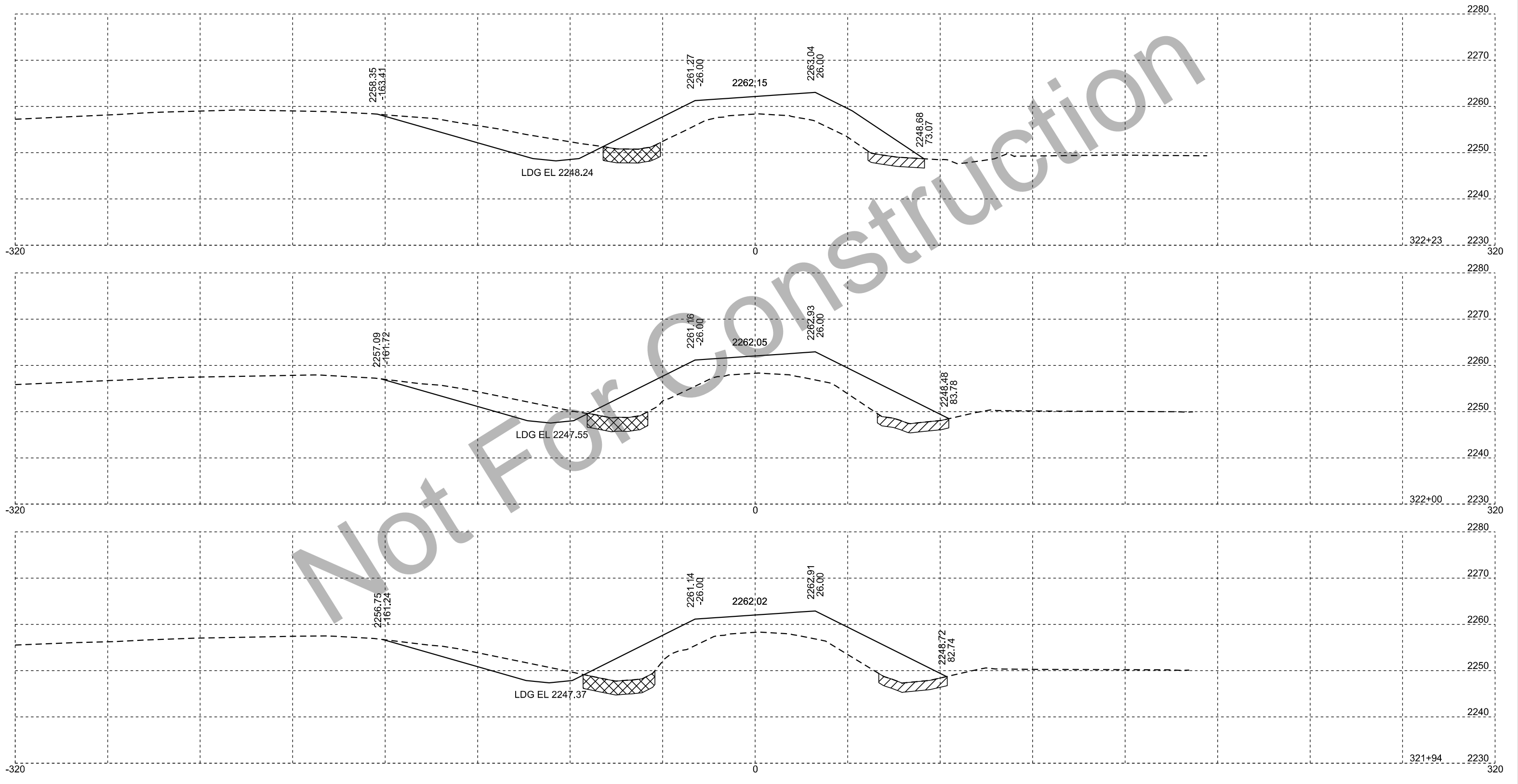


STATE OF SOUTH DAKOTA	PROJECT	SHEET	TOTAL SHEETS
	NH 0012(206)112	X58	X185

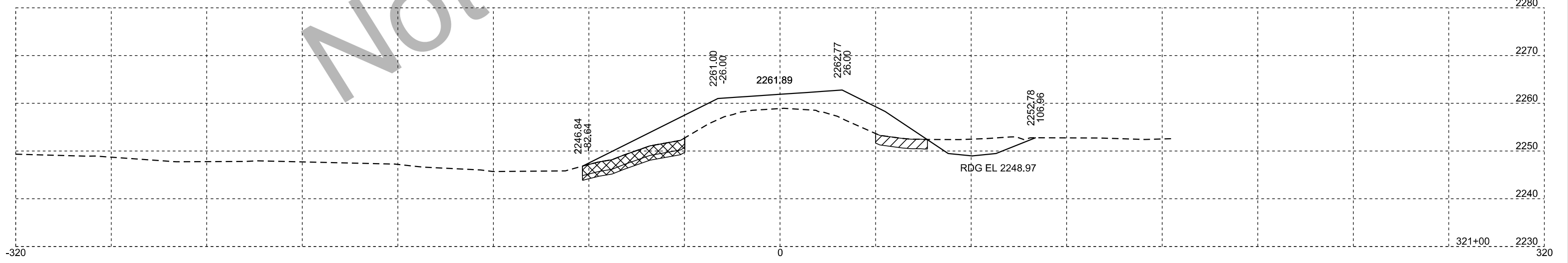
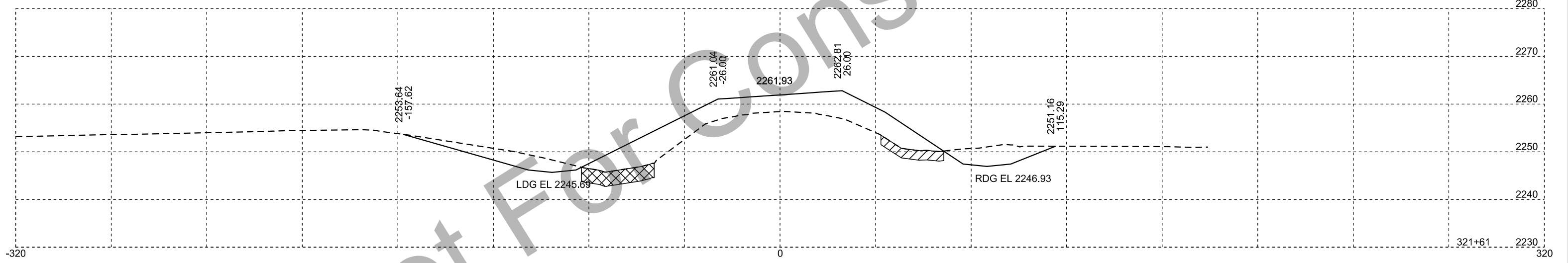
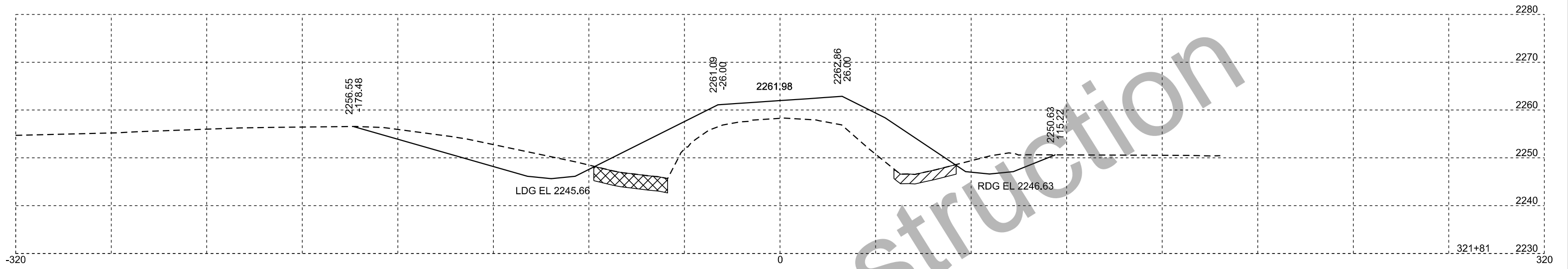


Not For Construction

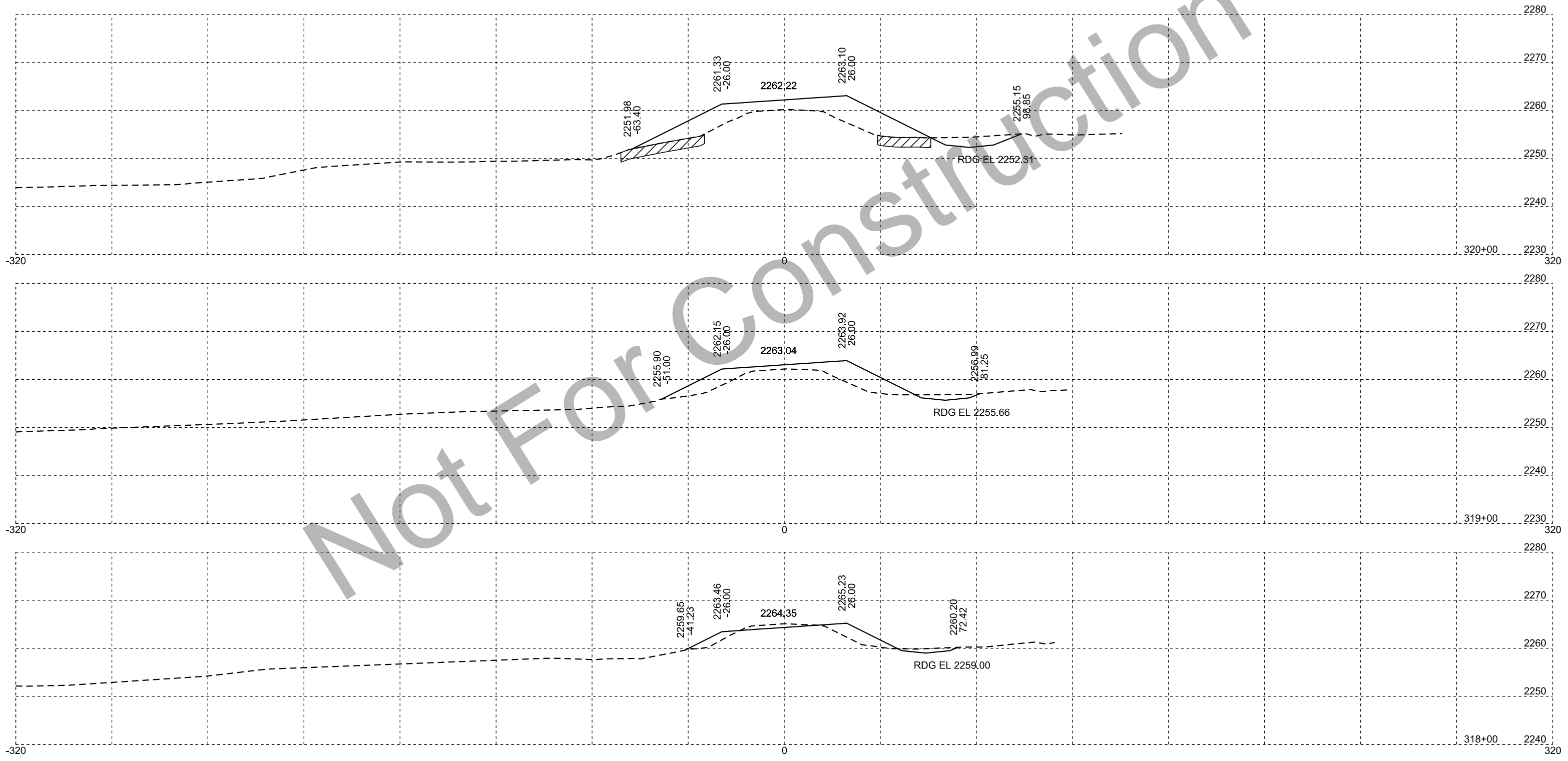
STATE OF SOUTH DAKOTA	PROJECT	SHEET	TOTAL SHEETS
	NH 0012(206)112	X59	X185



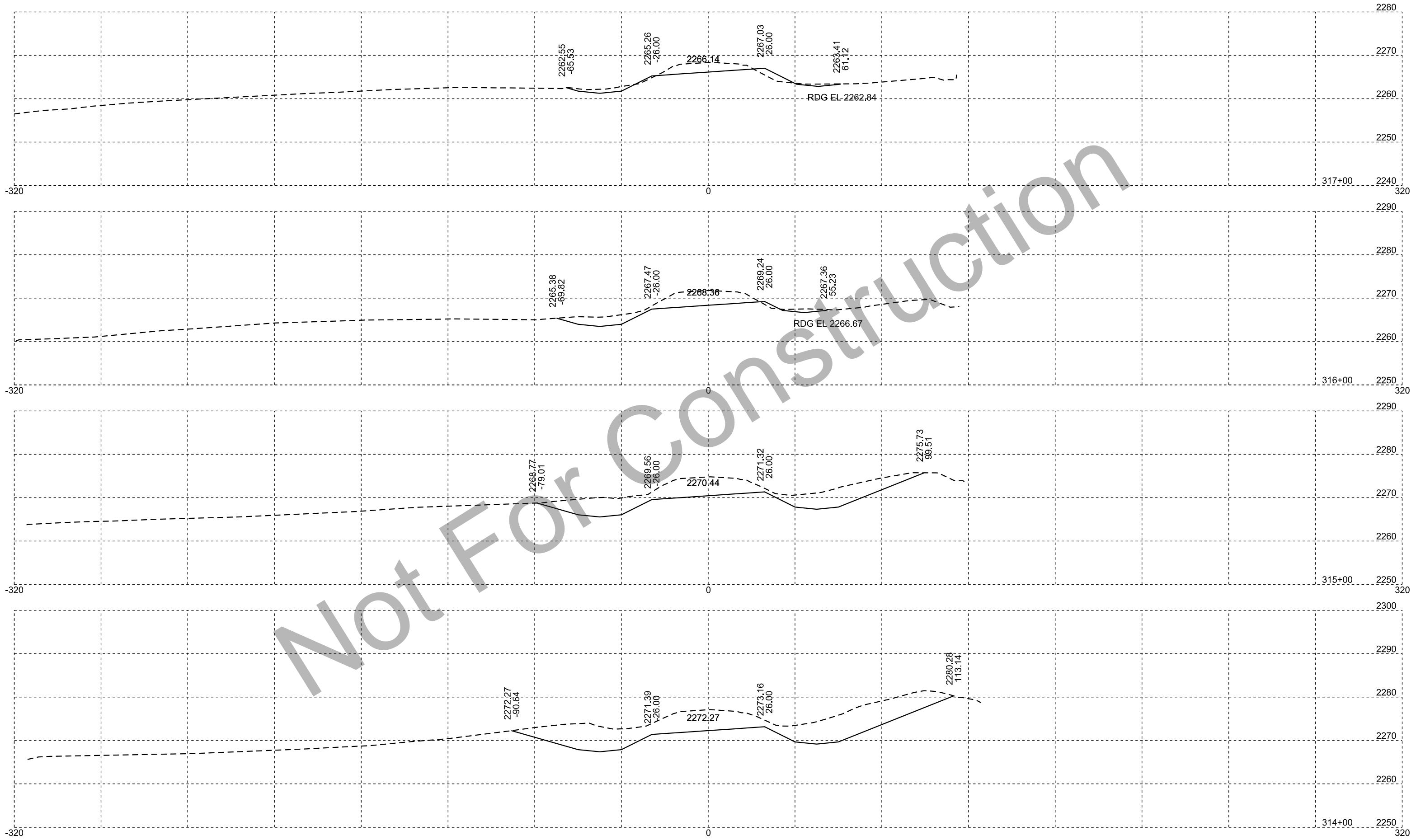
STATE OF SOUTH DAKOTA	PROJECT	SHEET	TOTAL SHEETS
	NH 0012(206)112	X60	X185



STATE OF SOUTH DAKOTA	PROJECT	SHEET	TOTAL SHEETS
	NH 0012(206)112	X61	X185

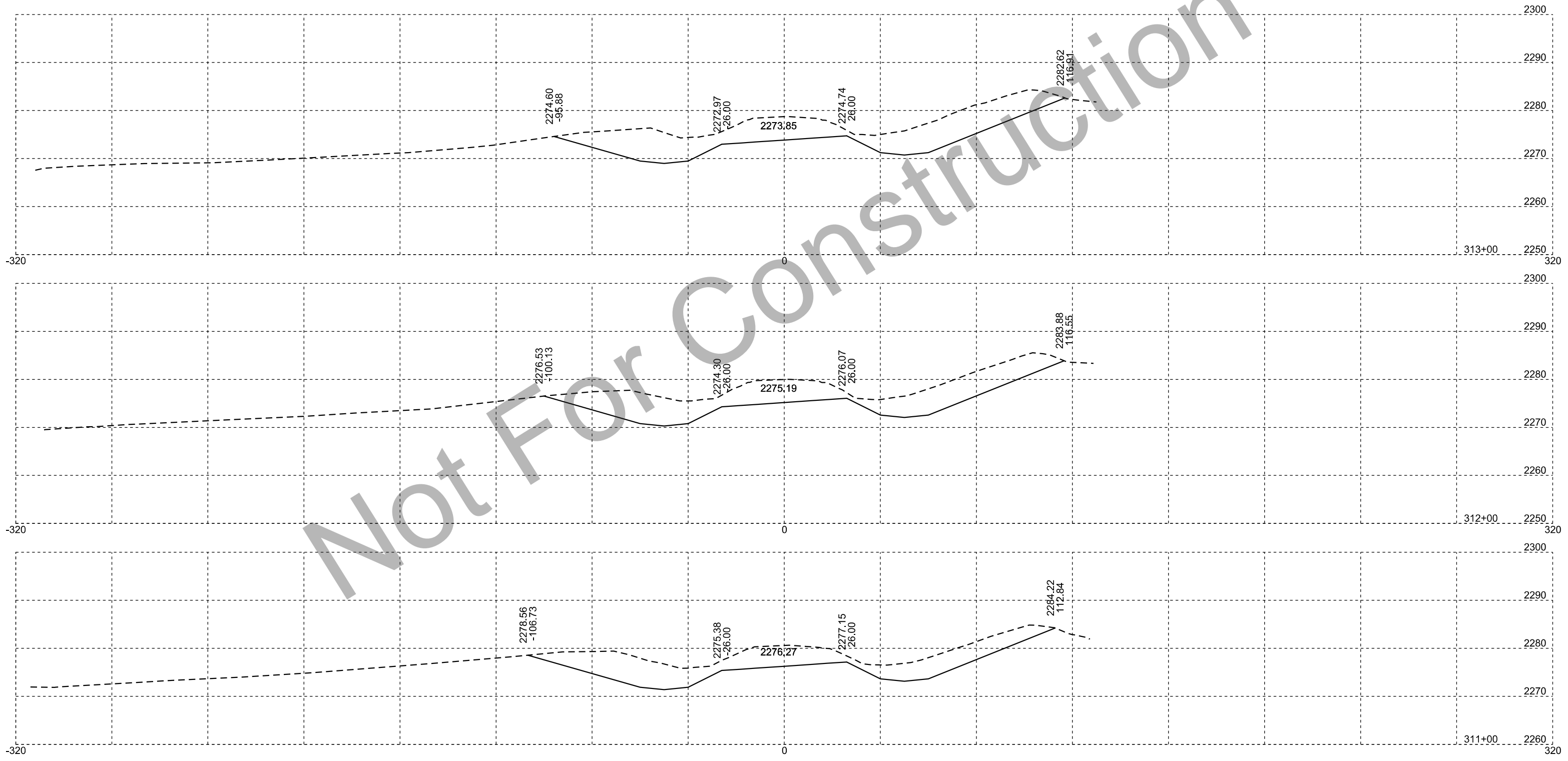


STATE OF SOUTH DAKOTA	PROJECT	SHEET	TOTAL SHEETS
	NH 0012(206)112	X62	X185



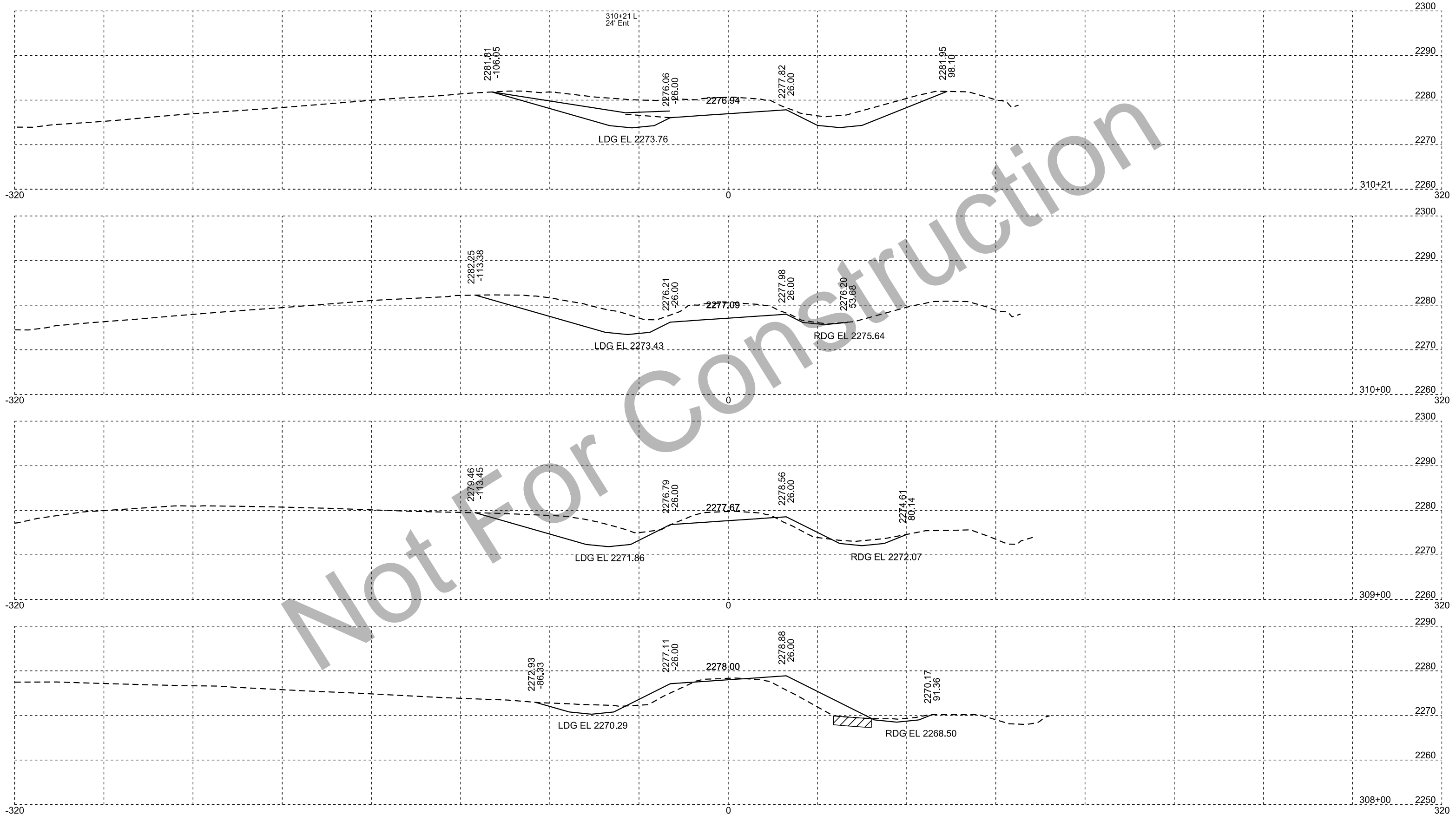
Not For Construction

STATE OF SOUTH DAKOTA	PROJECT	SHEET	TOTAL SHEETS
	NH 0012(206)112	X63	X185



Not For Construction

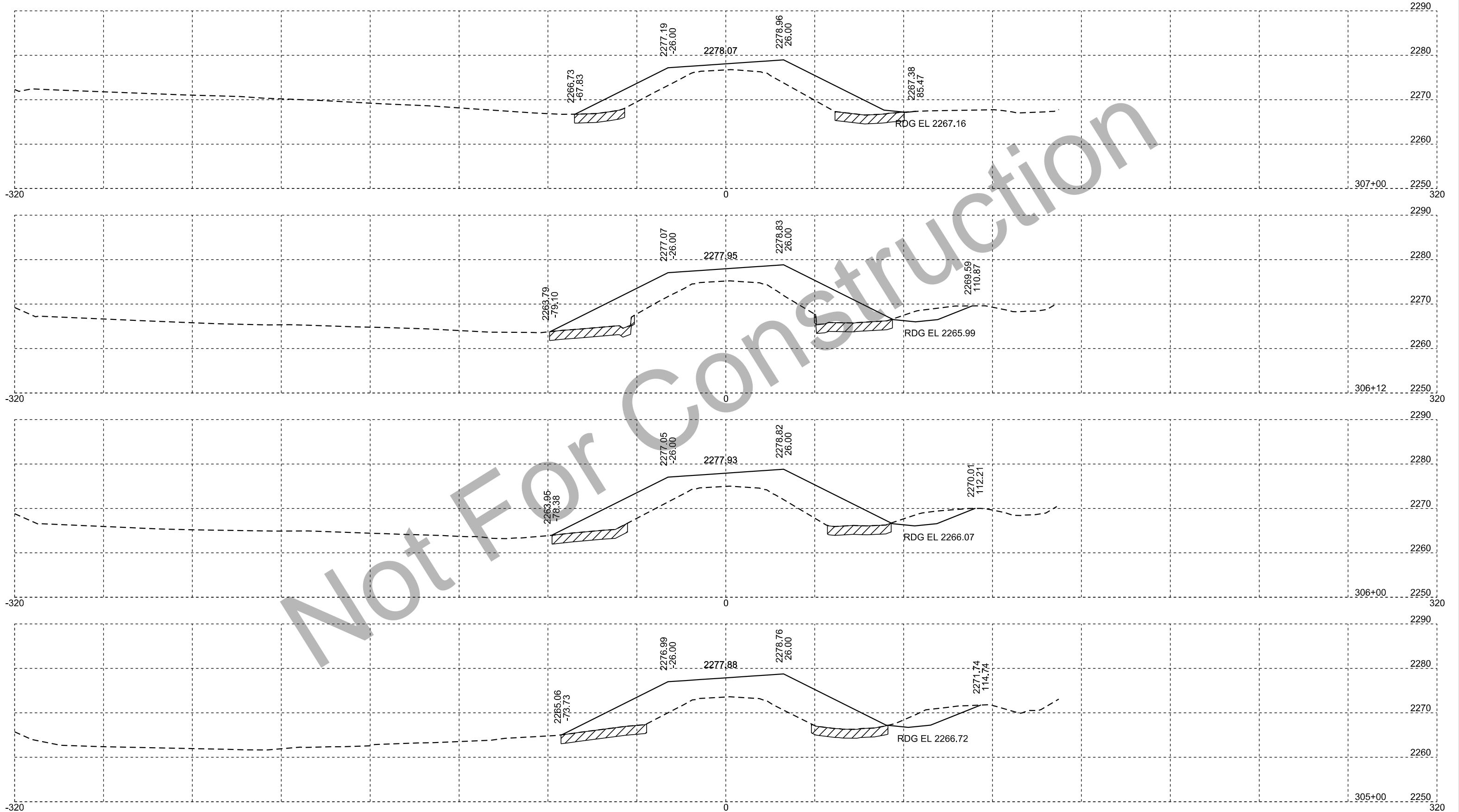
STATE OF SOUTH DAKOTA	PROJECT	SHEET	TOTAL SHEETS
	NH 0012(206)112	X64	X185



Not For Construction

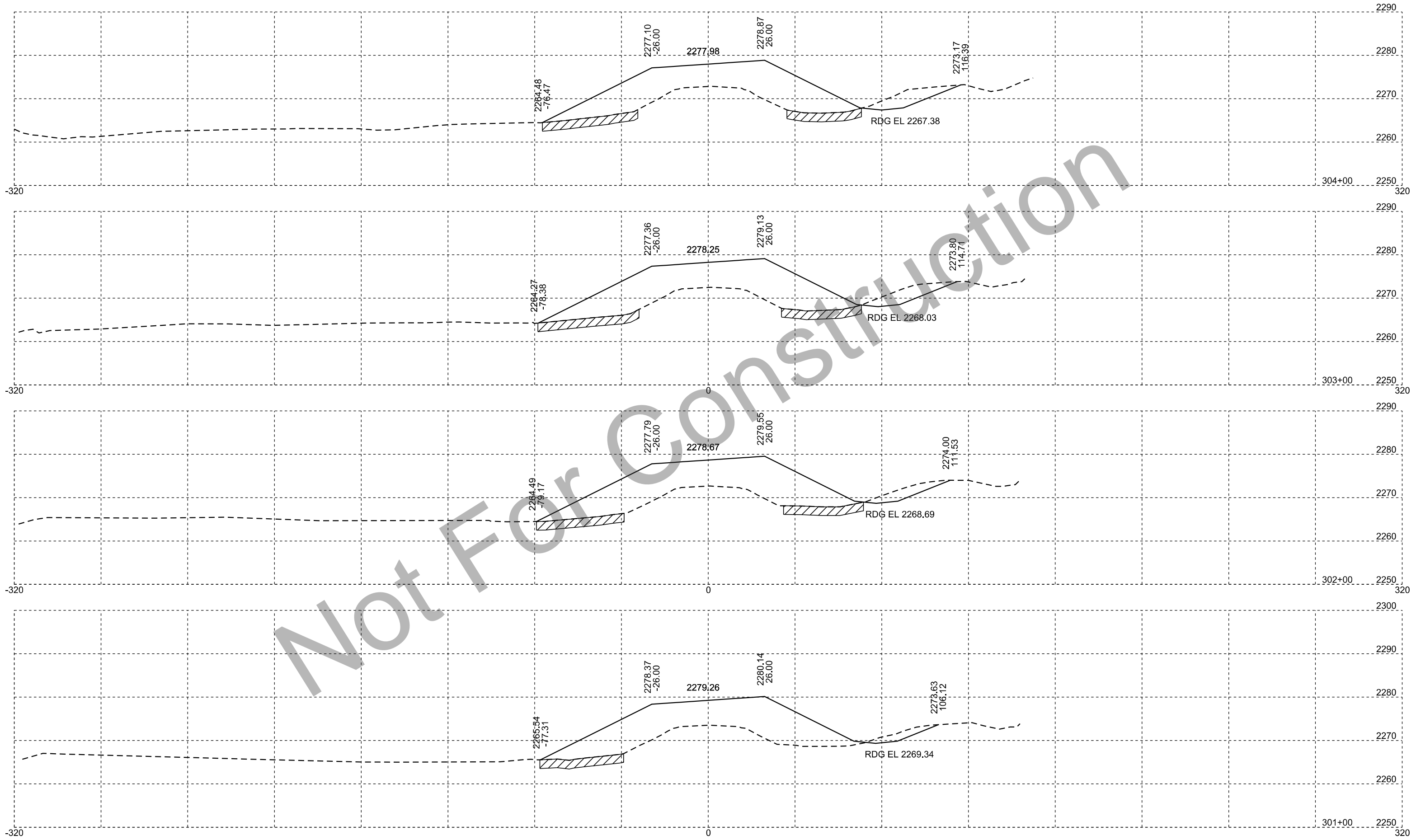


STATE OF SOUTH DAKOTA	PROJECT	SHEET	TOTAL SHEETS
	NH 0012(206)112	X65	X185



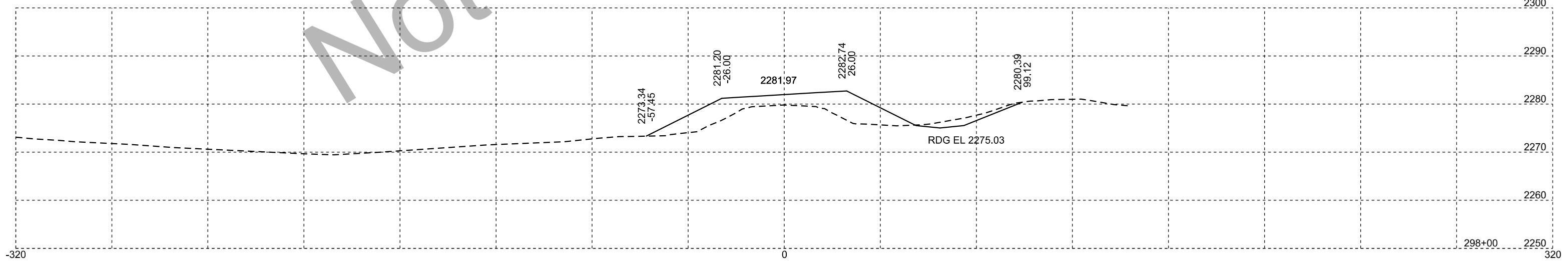
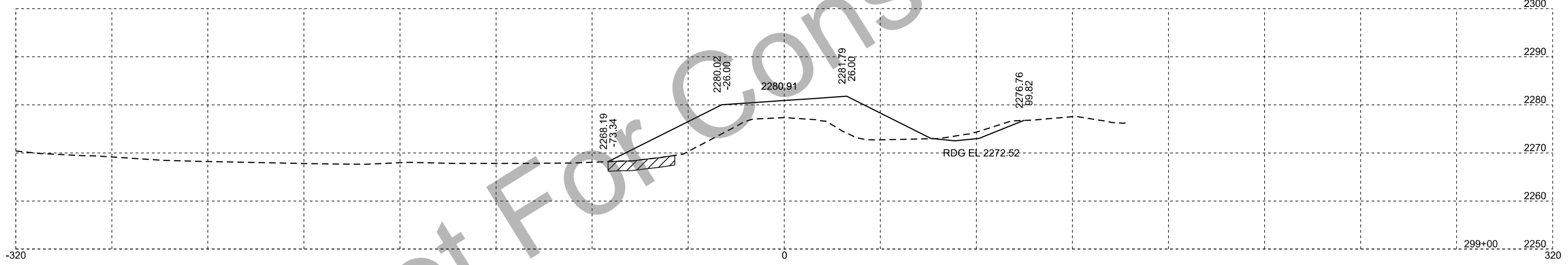
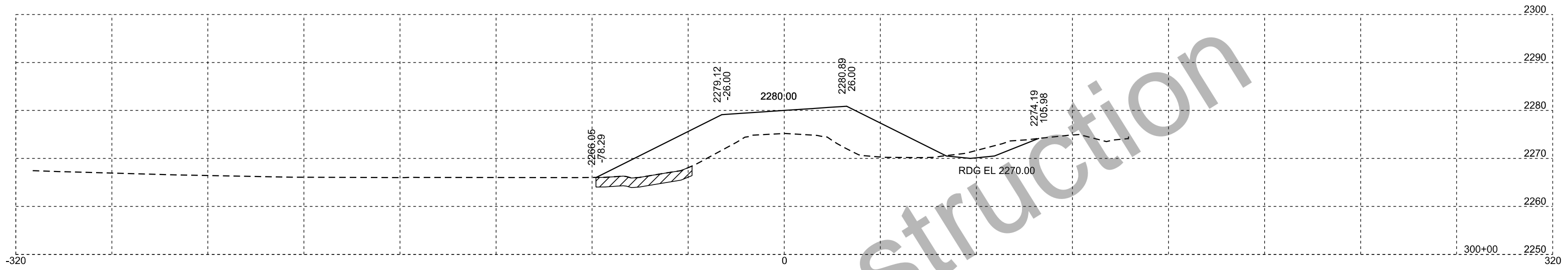
Not For Construction

STATE OF SOUTH DAKOTA	PROJECT	SHEET	TOTAL SHEETS
	NH 0012(206)112	X66	X185

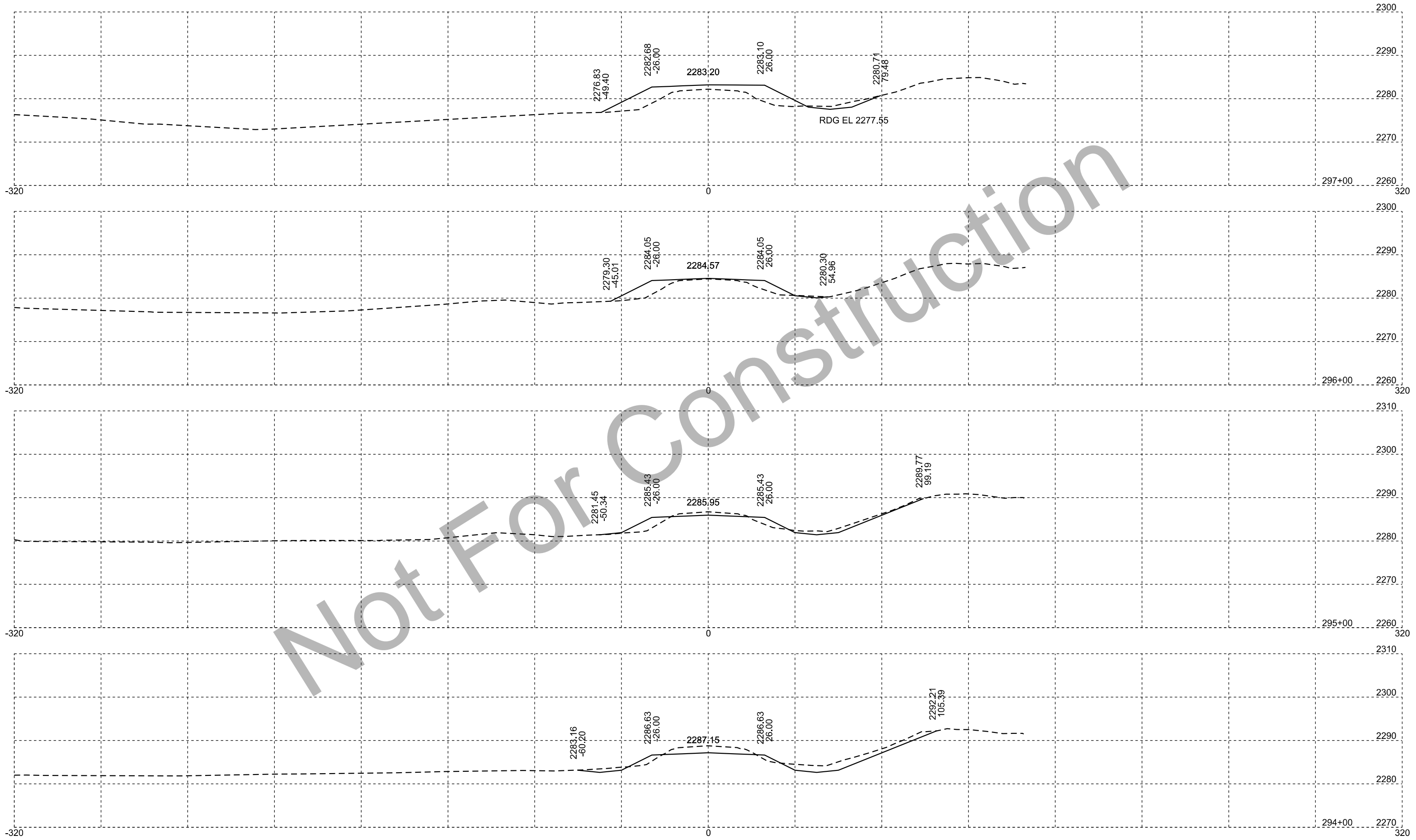


Not For Construction

STATE OF SOUTH DAKOTA	PROJECT	SHEET	TOTAL SHEETS
	NH 0012(206)112	X67	X185

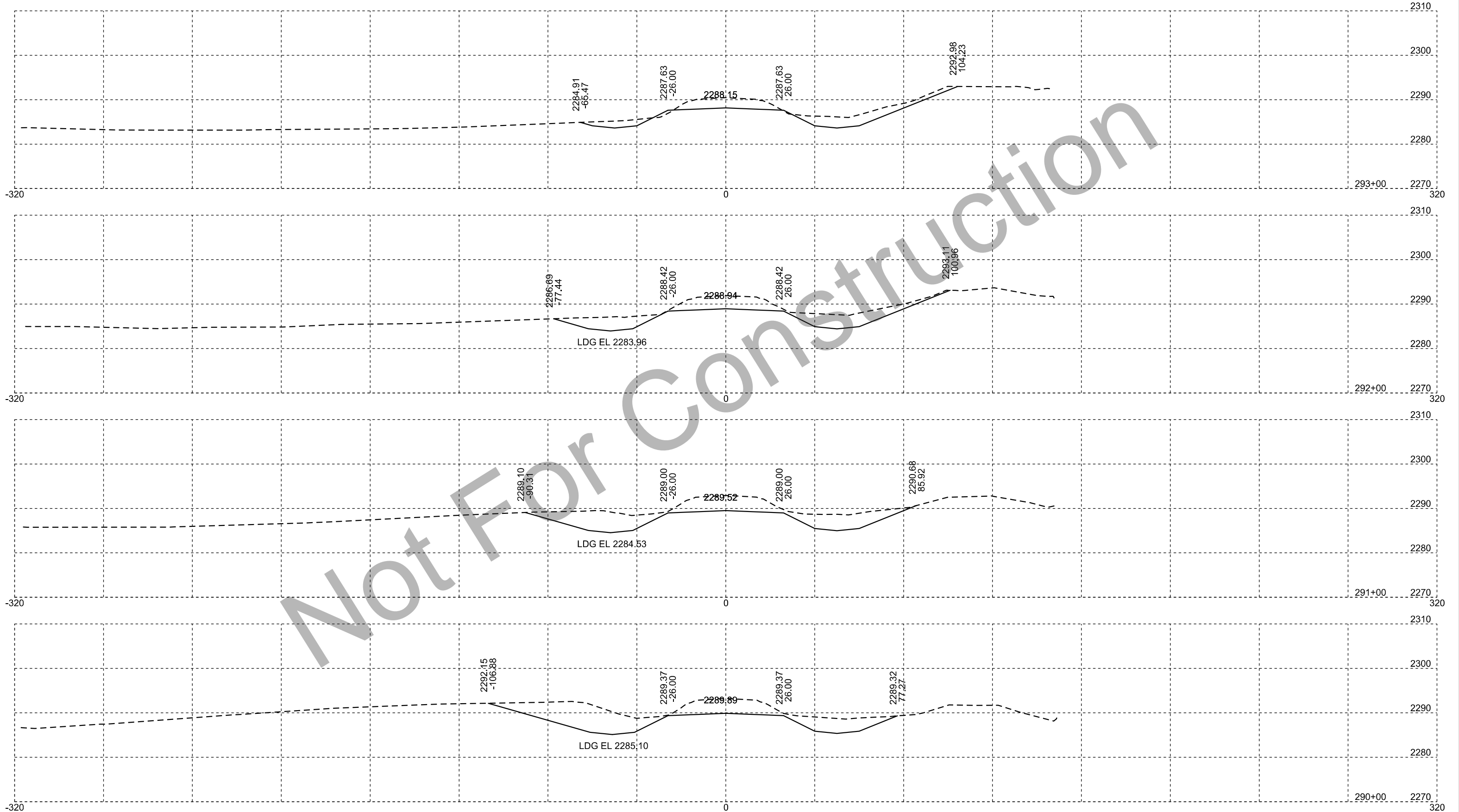


STATE OF SOUTH DAKOTA	PROJECT	SHEET	TOTAL SHEETS
	NH 0012(206)112	X68	X185



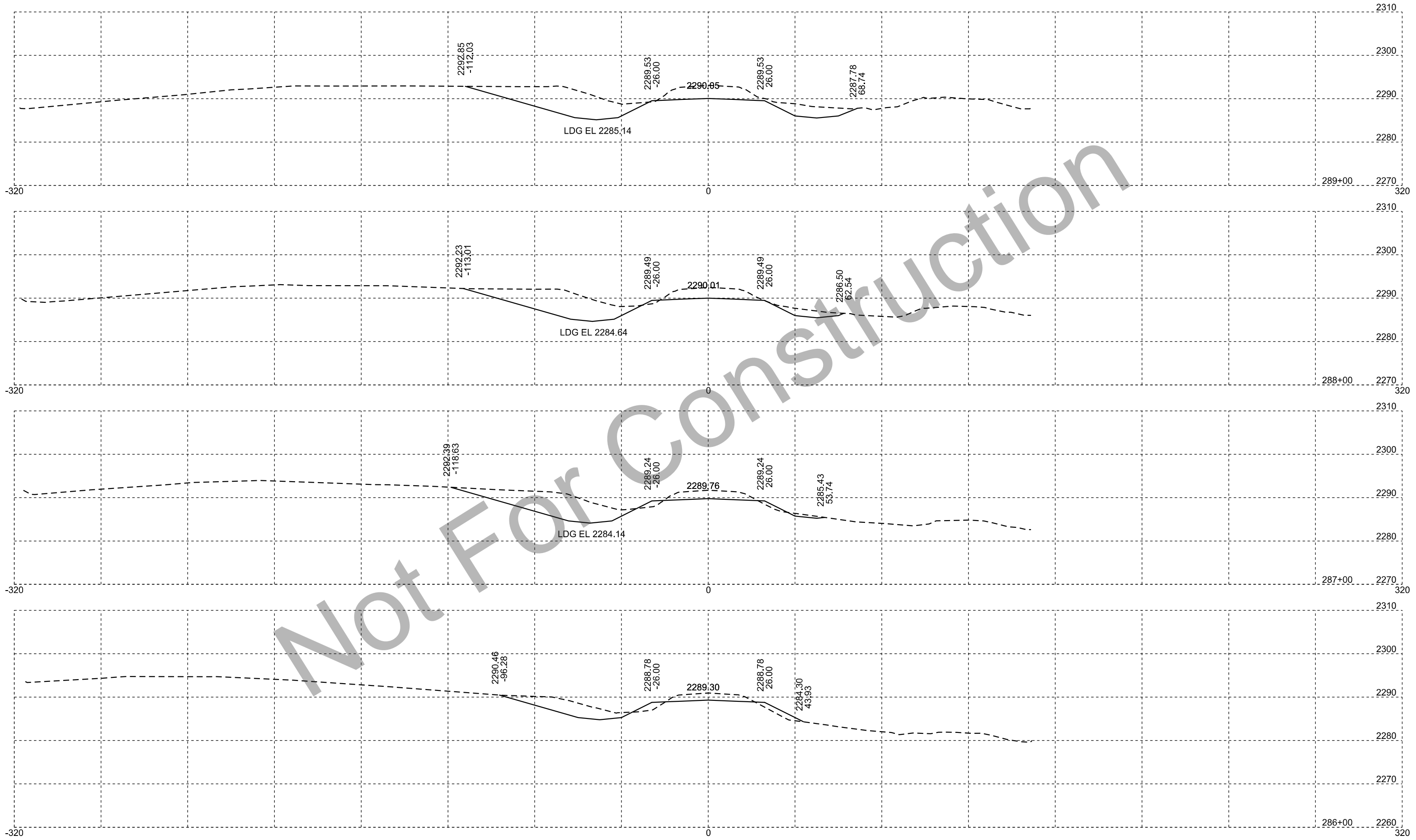
Not For Construction

STATE OF SOUTH DAKOTA	PROJECT	SHEET	TOTAL SHEETS
	NH 0012(206)112	X69	X185



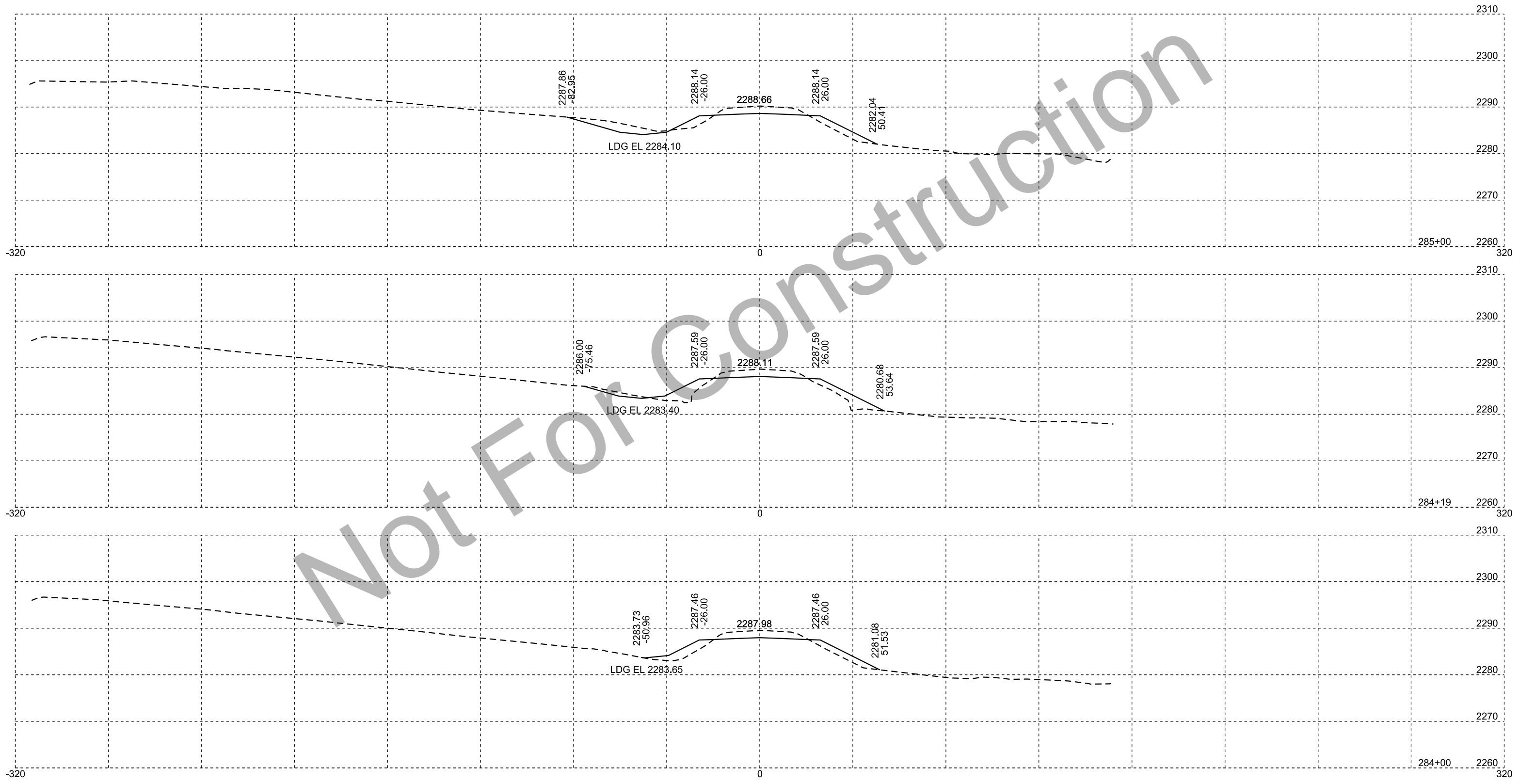
Not For Construction

STATE OF SOUTH DAKOTA	PROJECT	SHEET	TOTAL SHEETS
	NH 0012(206)112	X70	X185

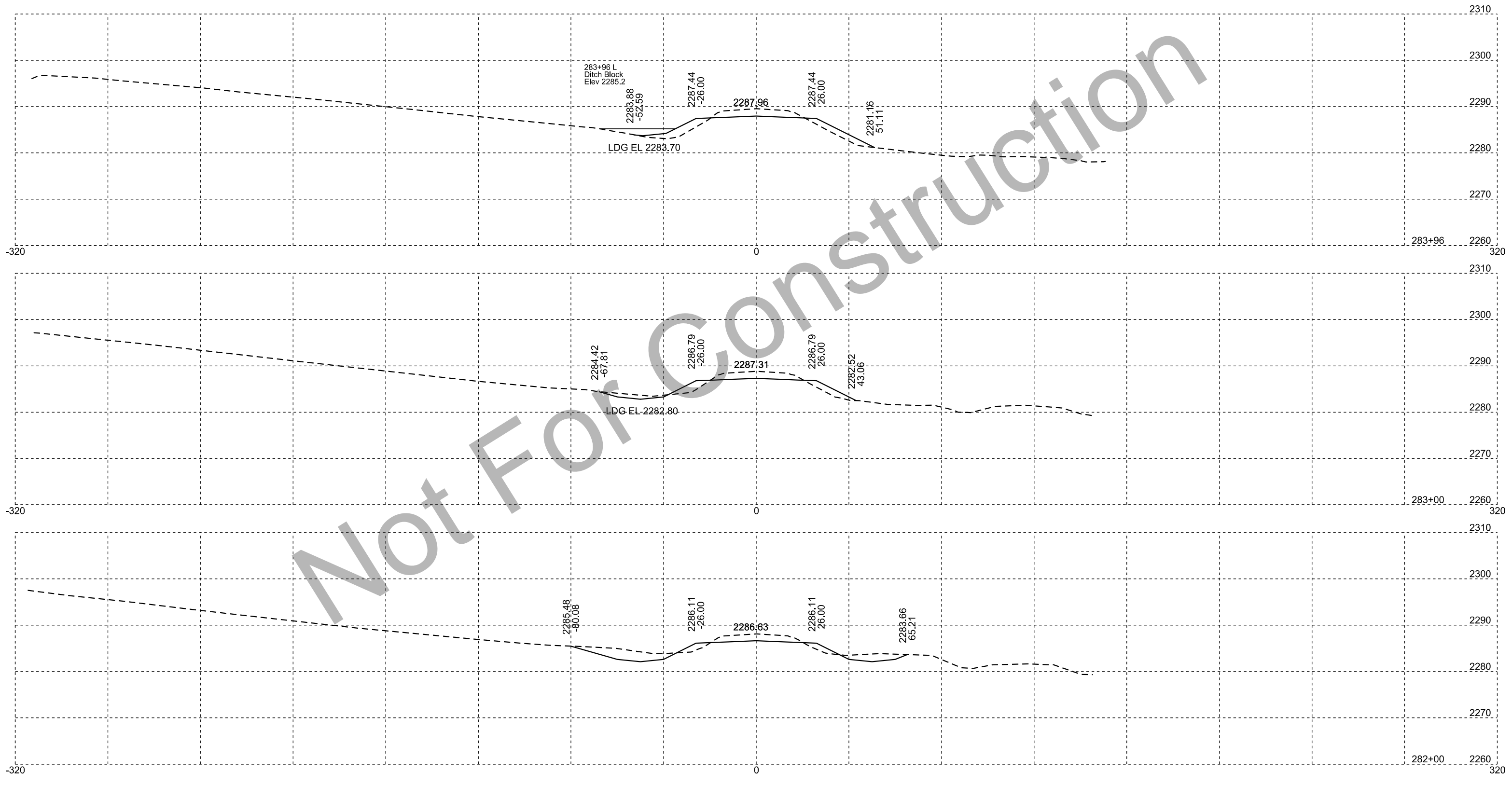


Not For Construction

STATE OF SOUTH DAKOTA	PROJECT	SHEET	TOTAL SHEETS
	NH 0012(206)112	X71	X185

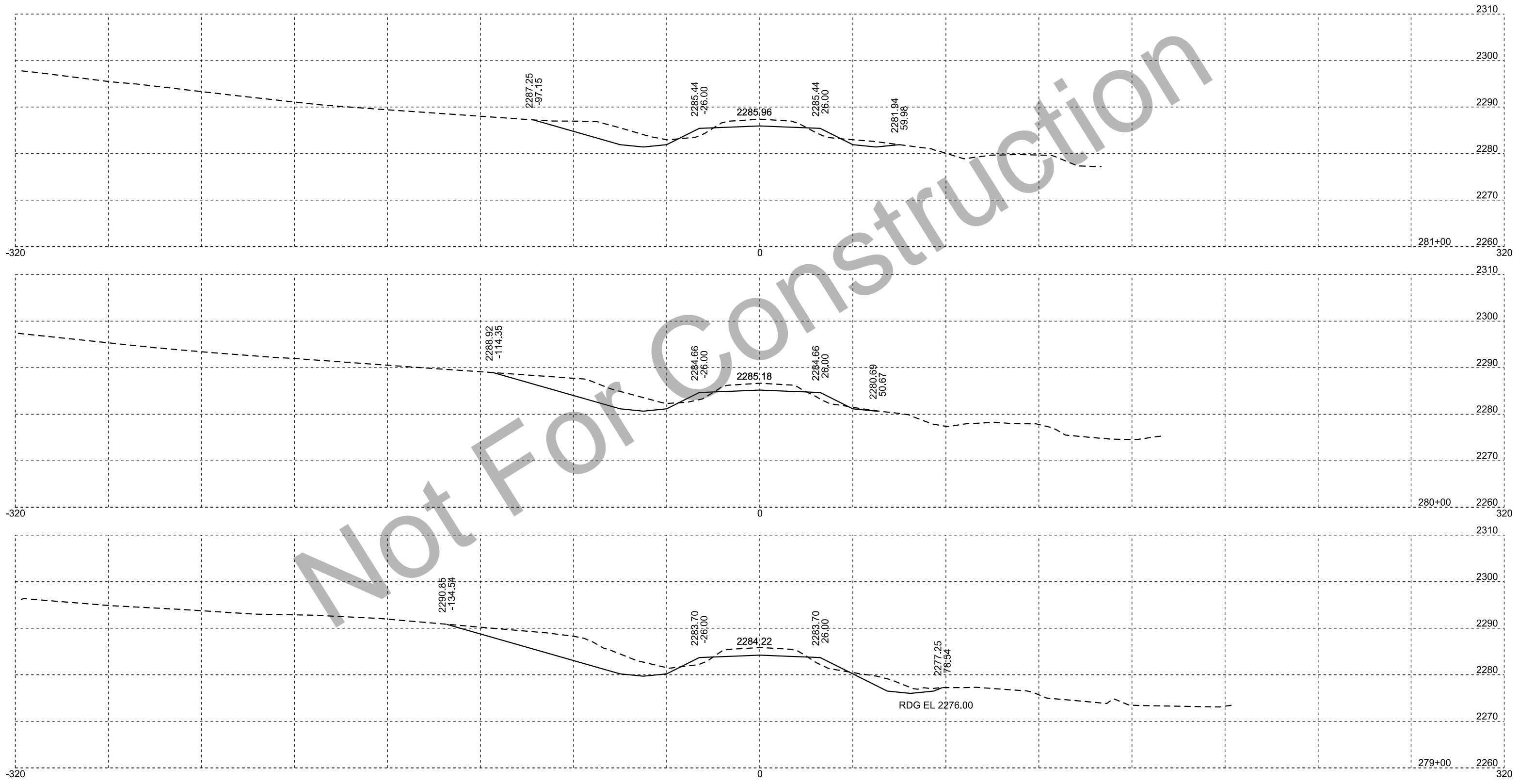


STATE OF SOUTH DAKOTA	PROJECT	SHEET	TOTAL SHEETS
	NH 0012(206)112	X72	X185



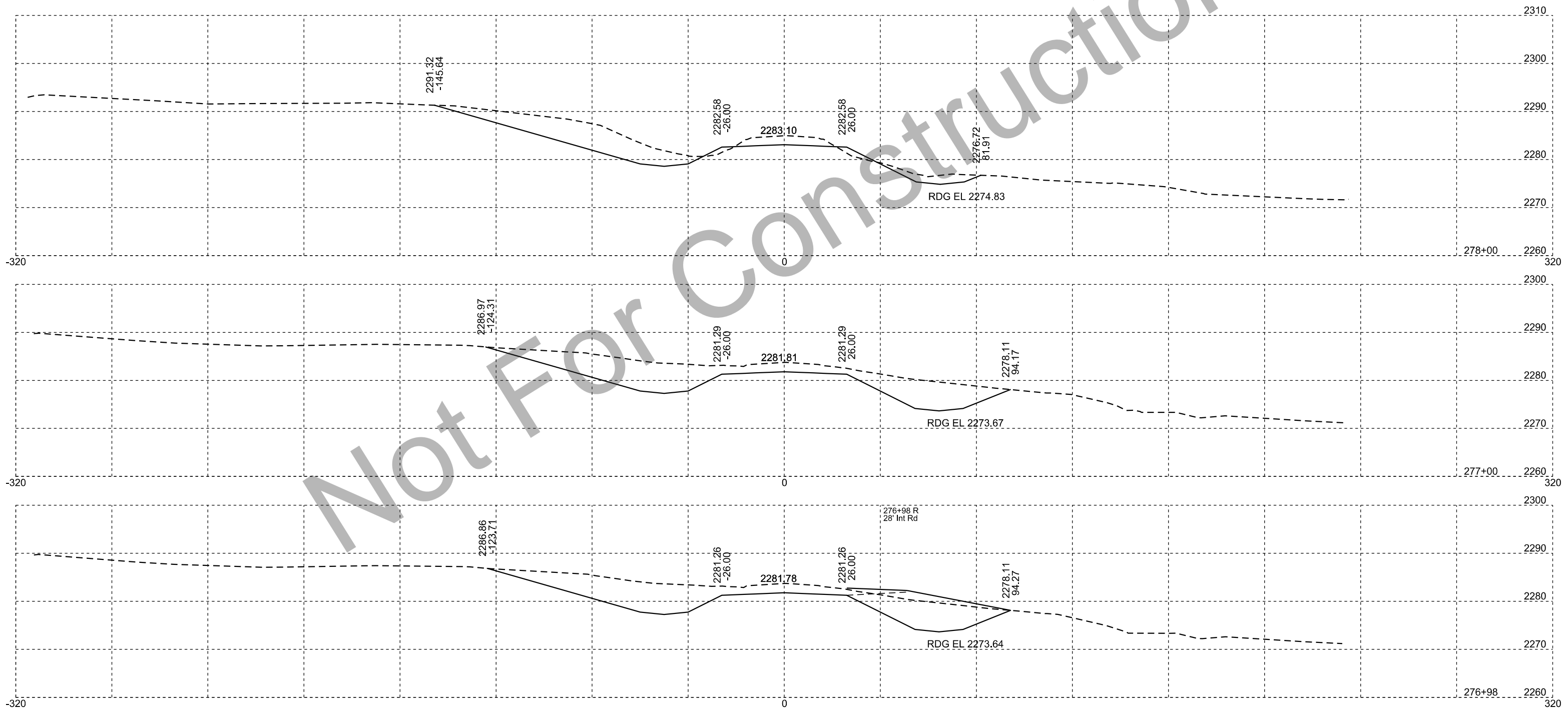


STATE OF SOUTH DAKOTA	PROJECT	SHEET	TOTAL SHEETS
	NH 0012(206)112	X73	X185

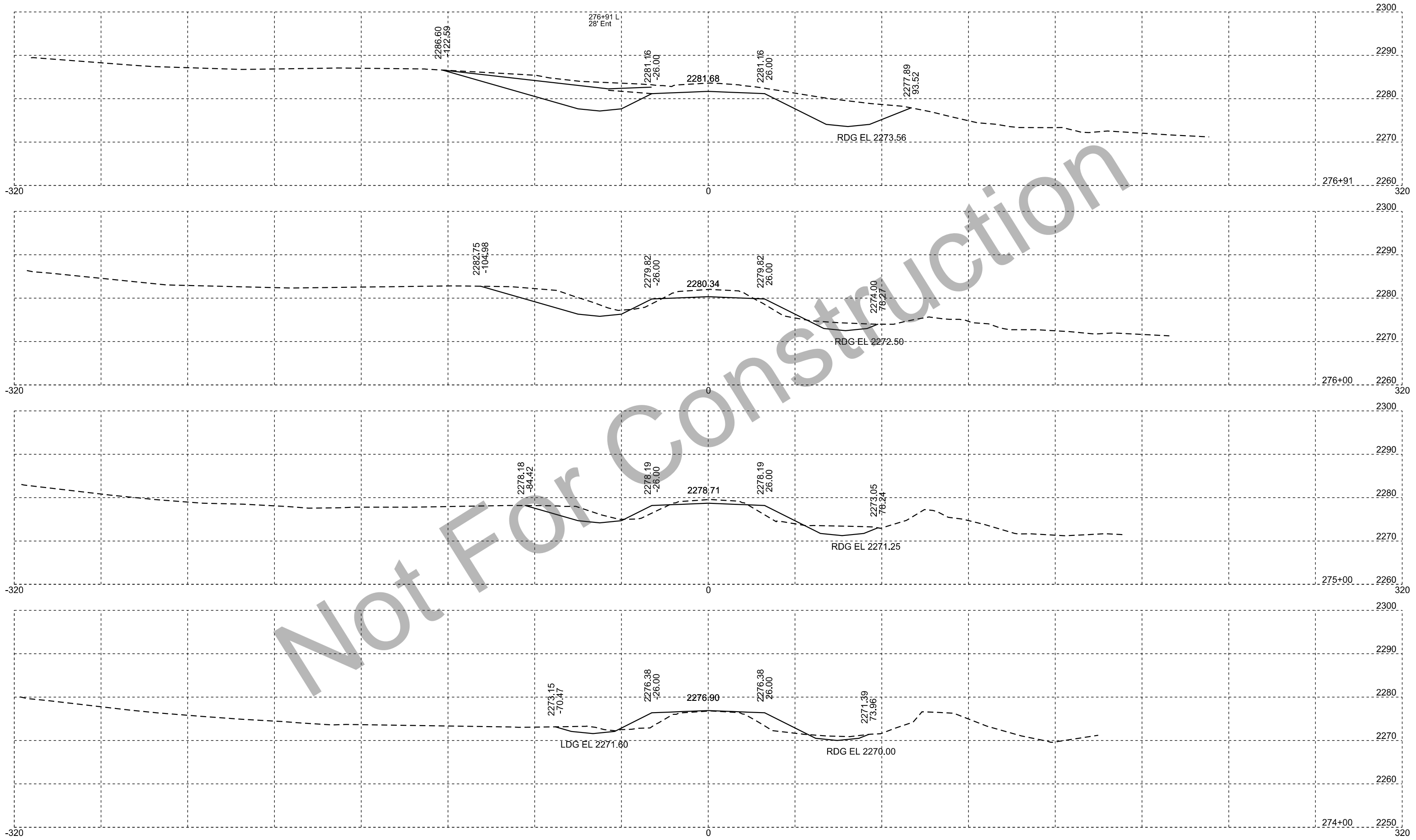


Not For Construction

STATE OF SOUTH DAKOTA	PROJECT	SHEET	TOTAL SHEETS
	NH 0012(206)112	X74	X185

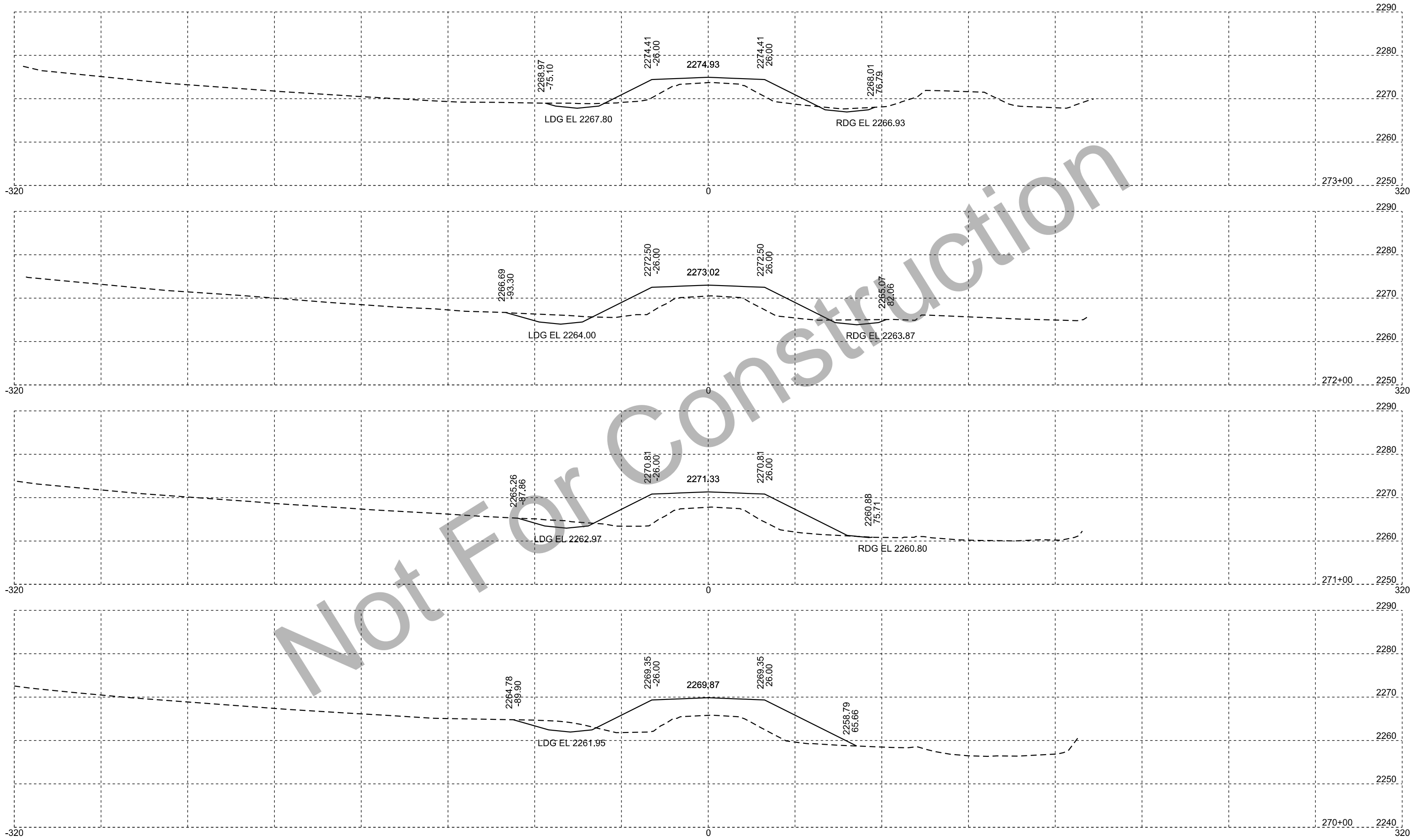


STATE OF SOUTH DAKOTA	PROJECT	SHEET	TOTAL SHEETS
	NH 0012(206)112	X75	X185



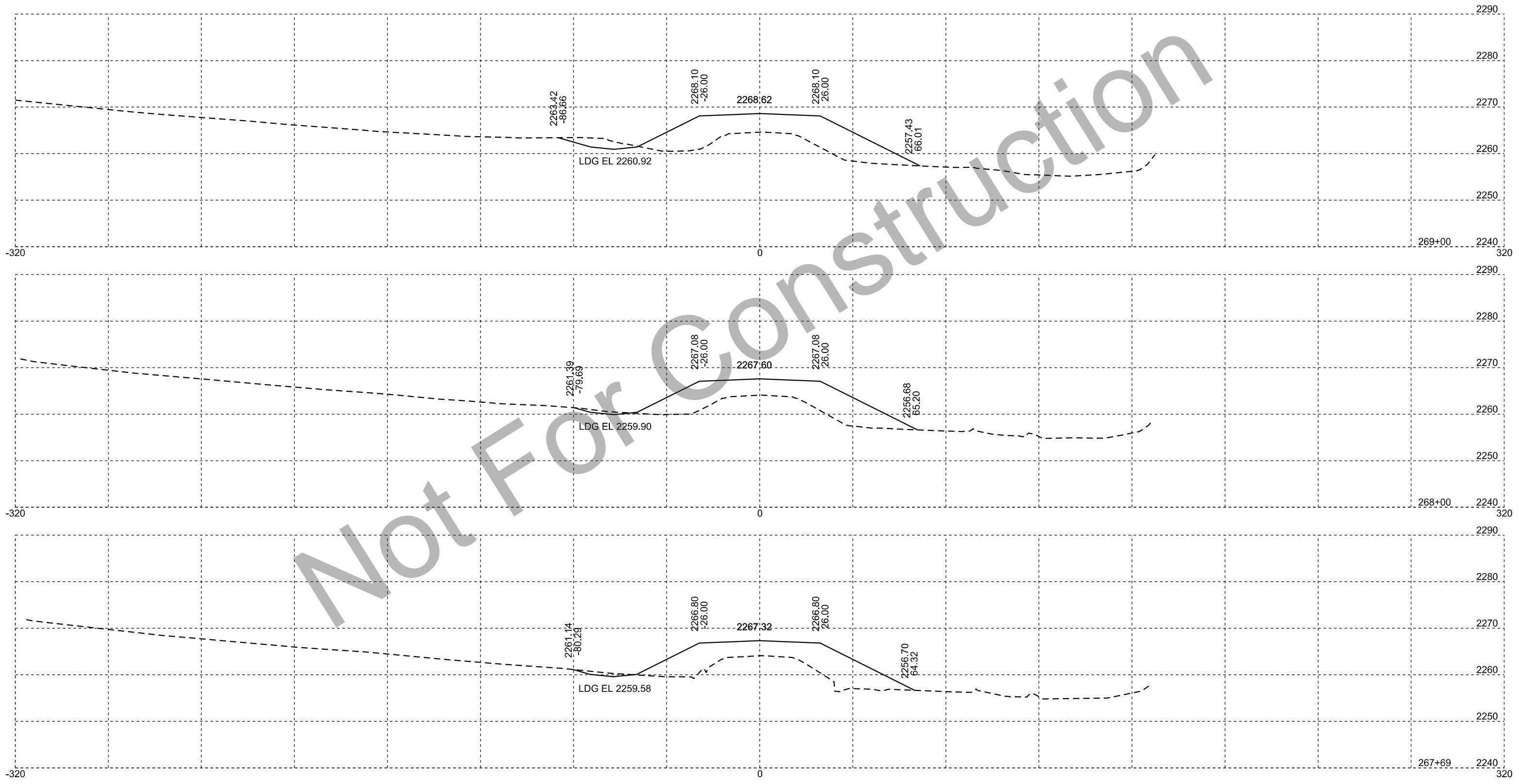
Not For Construction

STATE OF SOUTH DAKOTA	PROJECT	SHEET	TOTAL SHEETS
	NH 0012(206)112	X76	X185



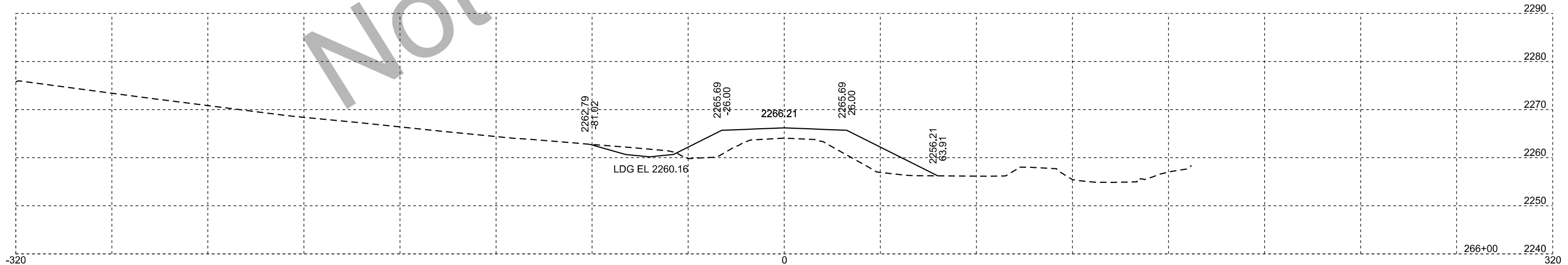
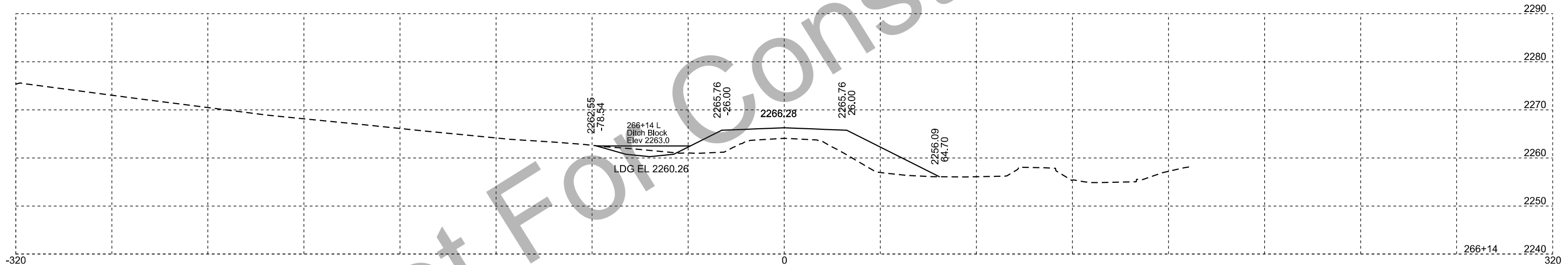
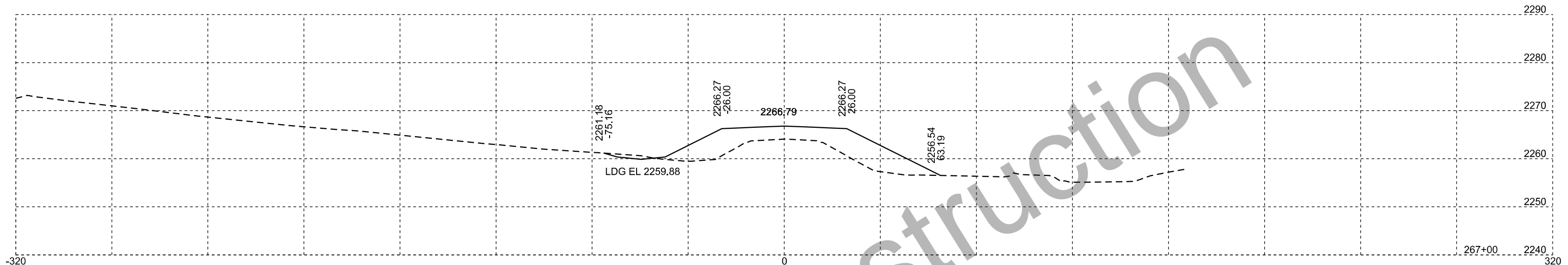
Not For Construction

STATE OF SOUTH DAKOTA	PROJECT	SHEET	TOTAL SHEETS
	NH 0012(206)112	X77	X185



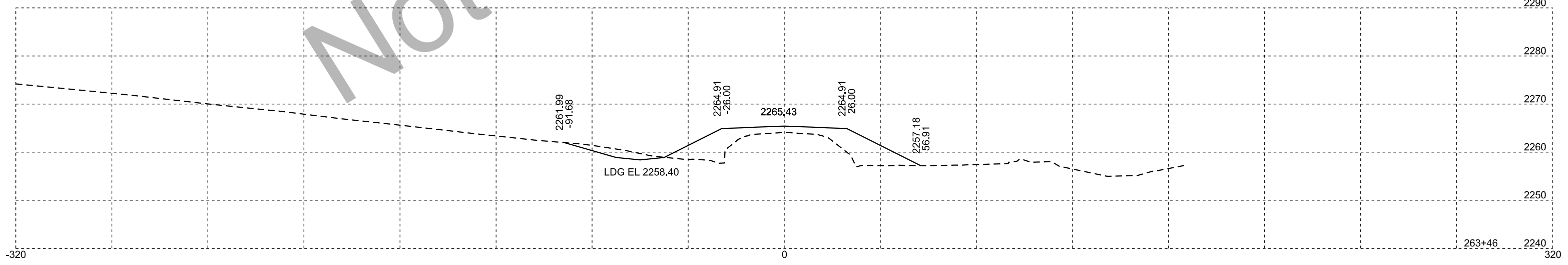
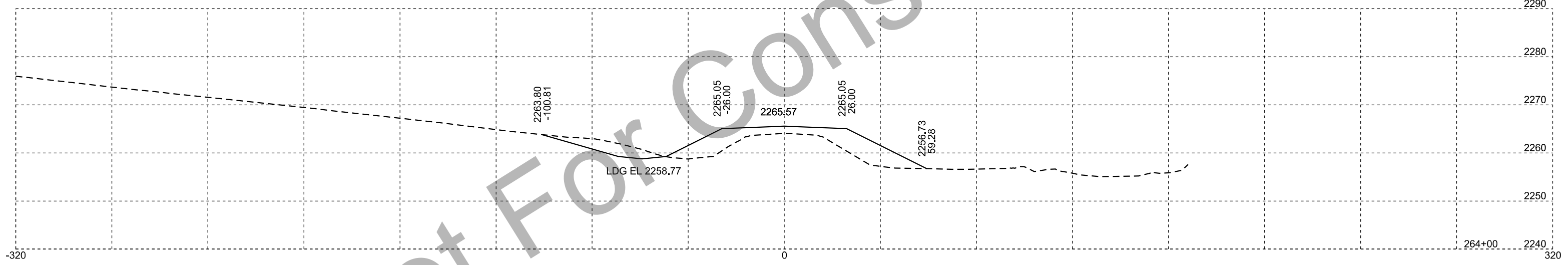
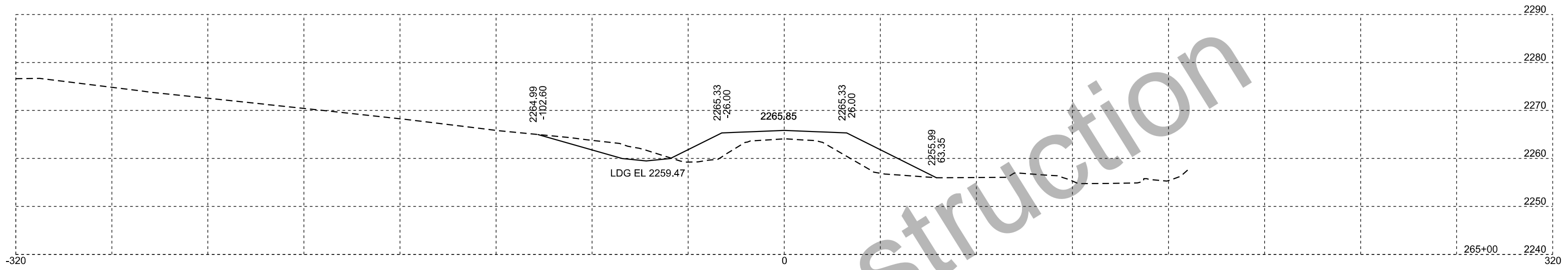
Not For Construction

STATE OF SOUTH DAKOTA	PROJECT	SHEET	TOTAL SHEETS
	NH 0012(206)112	X78	X185



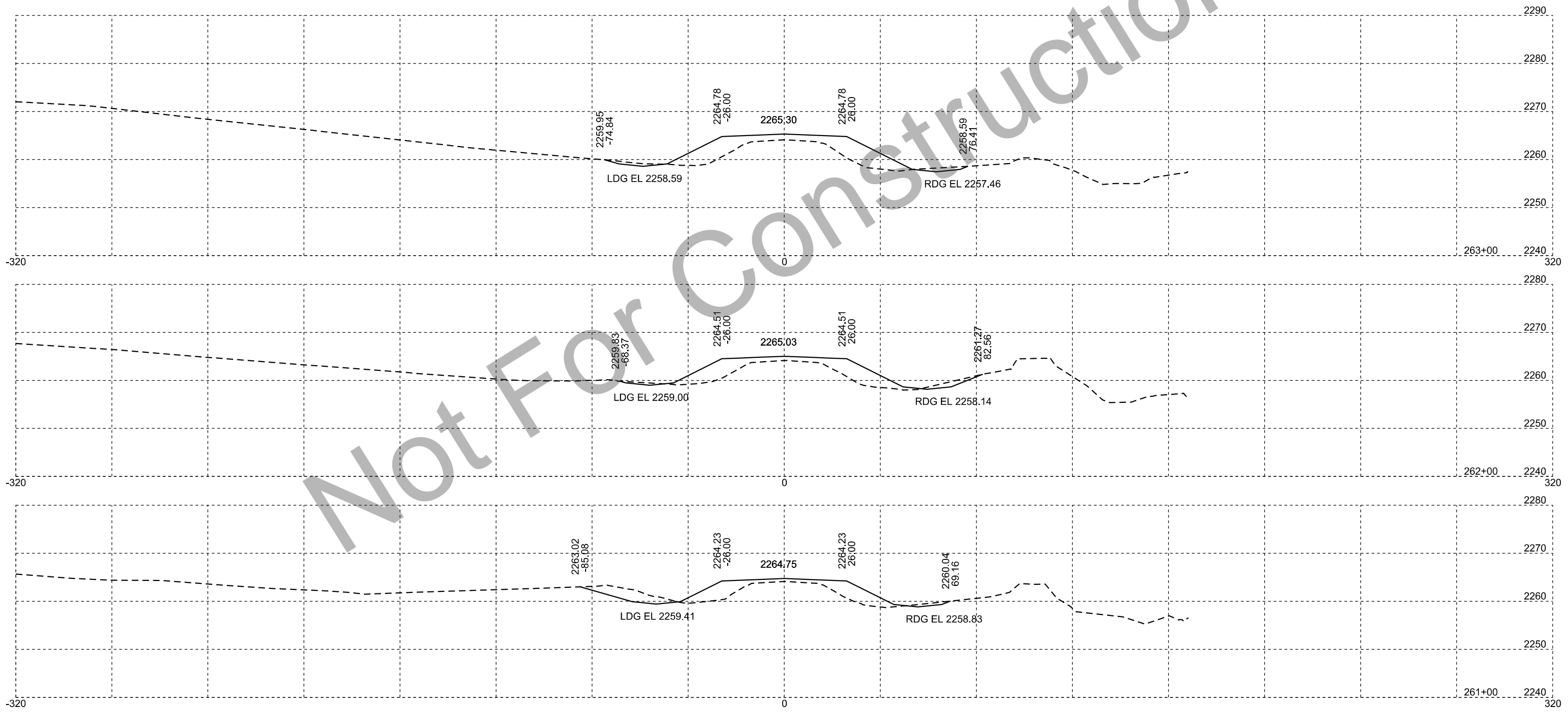
Not For Construction

STATE OF SOUTH DAKOTA	PROJECT	SHEET	TOTAL SHEETS
	NH 0012(206)112	X79	X185



Not For Construction

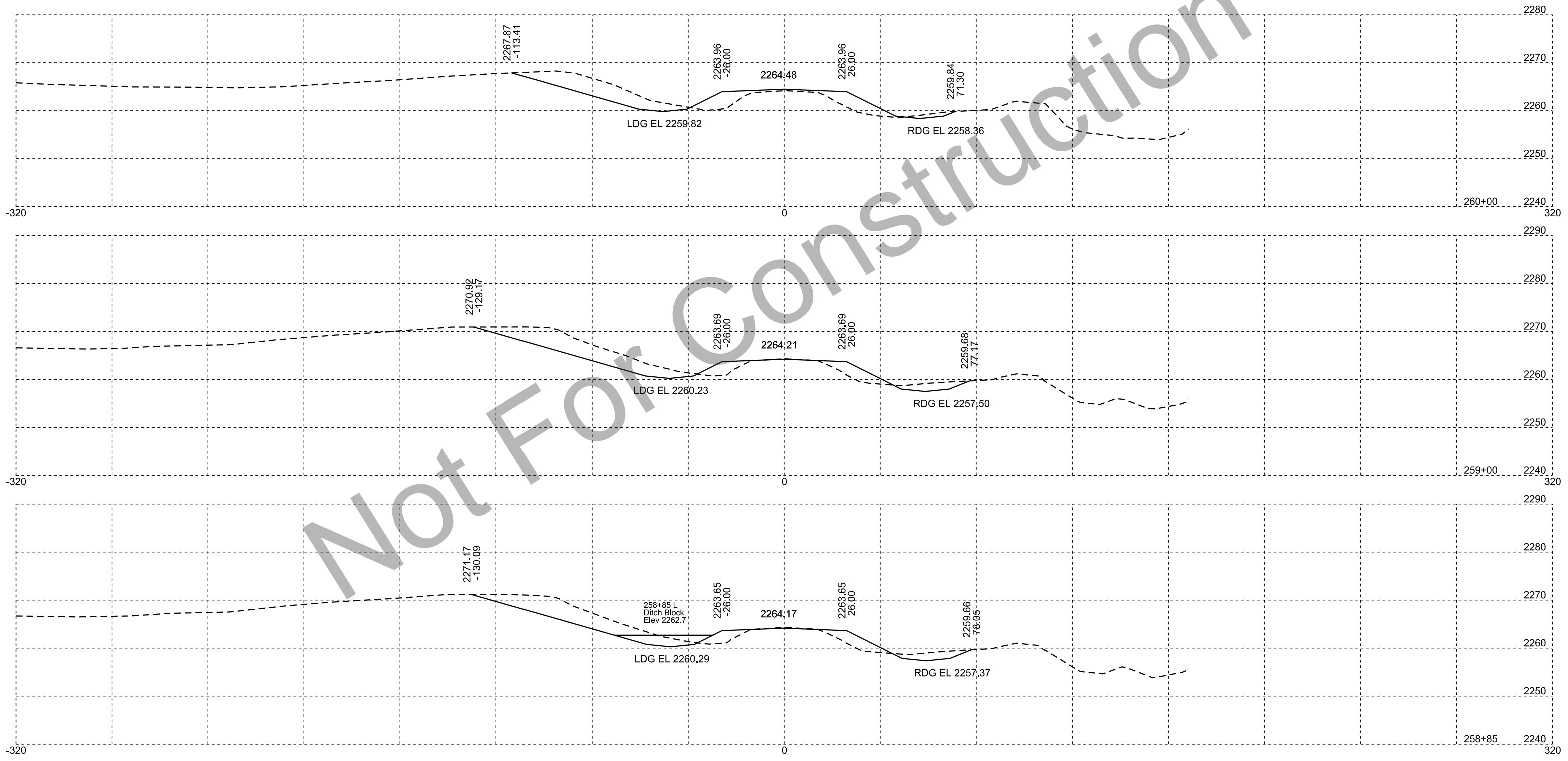
STATE OF SOUTH DAKOTA	PROJECT	SHEET	TOTAL SHEETS
	NH 0012(206)112	X80	X185



Not For Construction

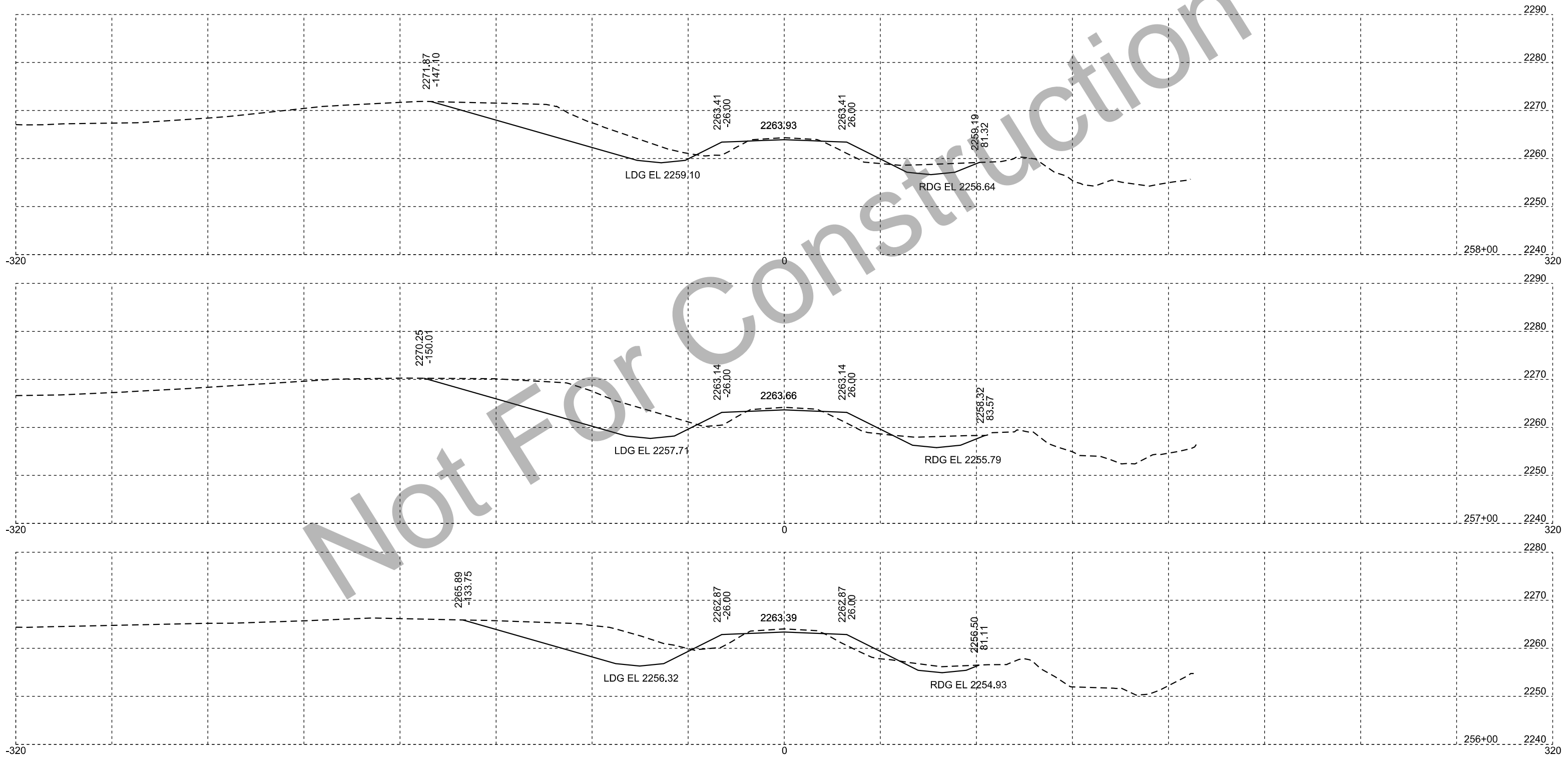


STATE OF SOUTH DAKOTA	PROJECT	SHEET	TOTAL SHEETS
	NH 0012(206)112	X81	X185



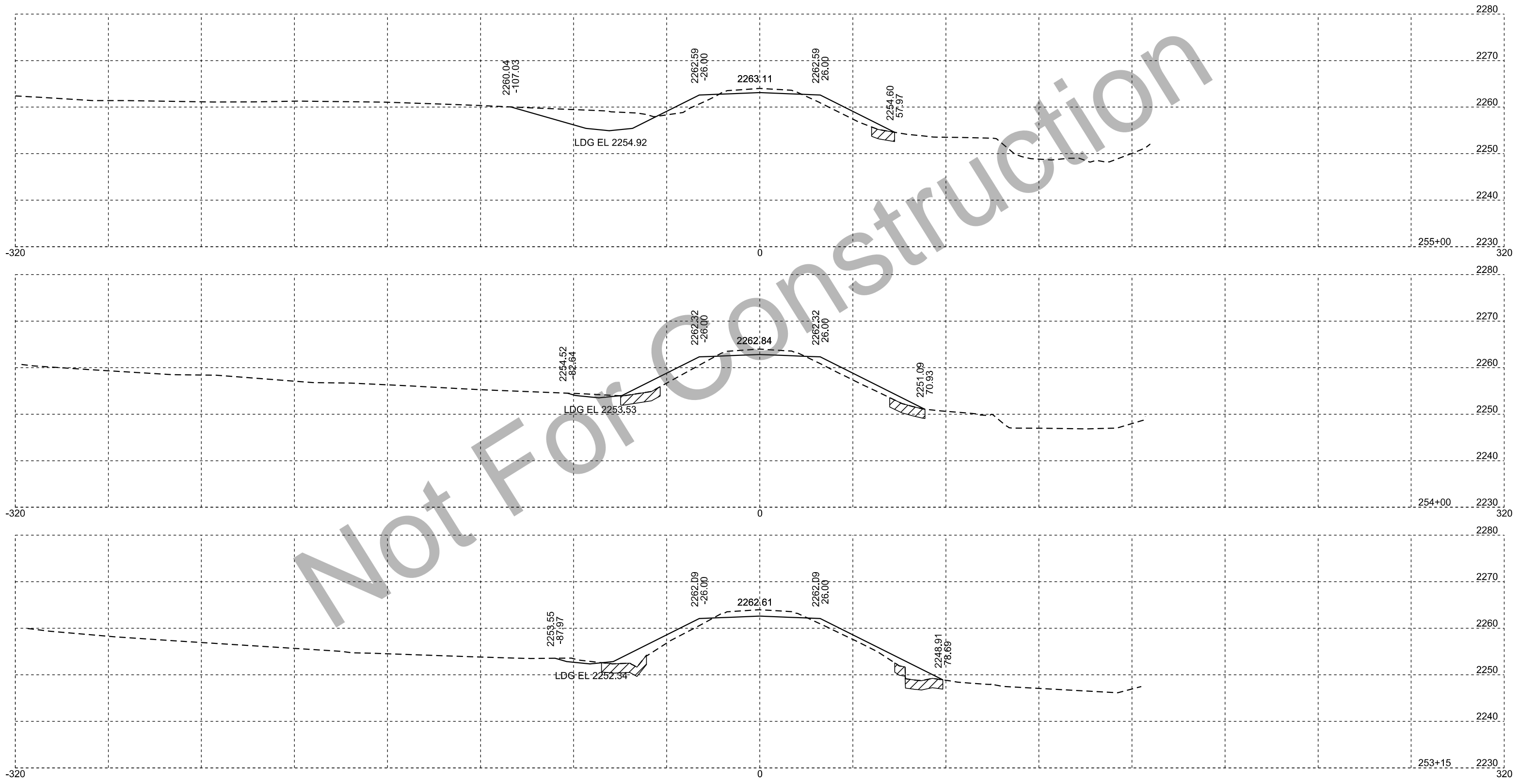
Not For Construction

STATE OF SOUTH DAKOTA	PROJECT	SHEET	TOTAL SHEETS
	NH 0012(206)112	X82	X185



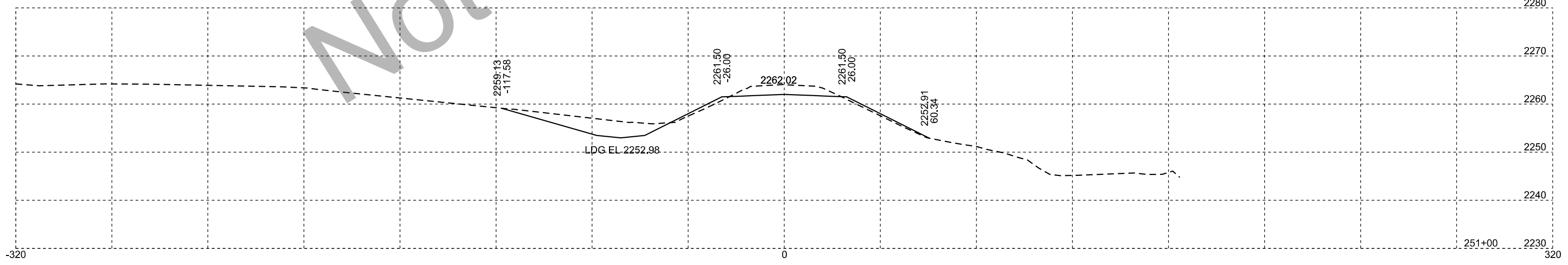
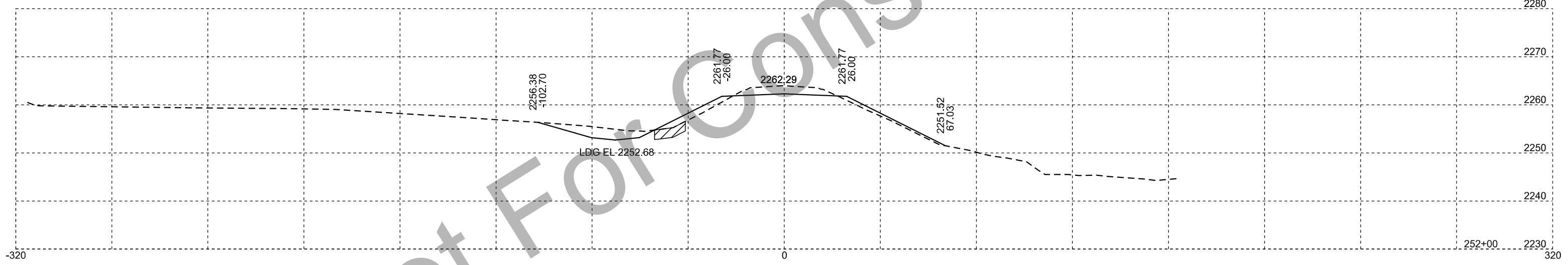
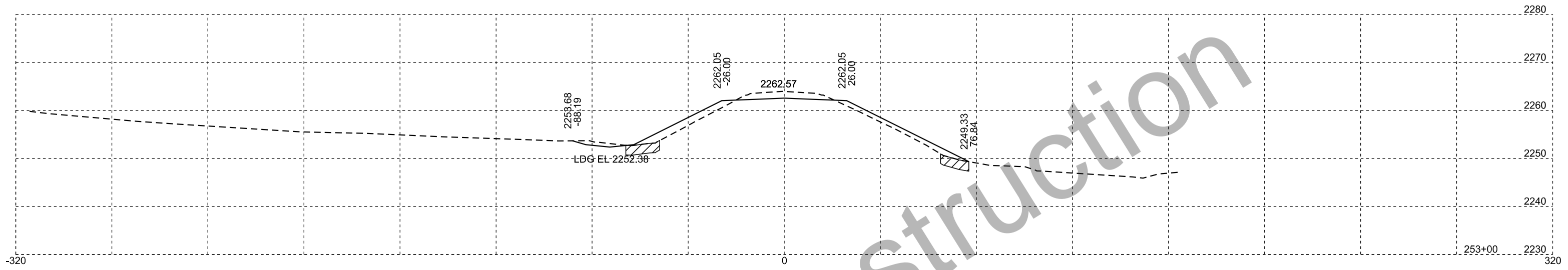
Not For Construction

STATE OF SOUTH DAKOTA	PROJECT	SHEET	TOTAL SHEETS
	NH 0012(206)112	X83	X185

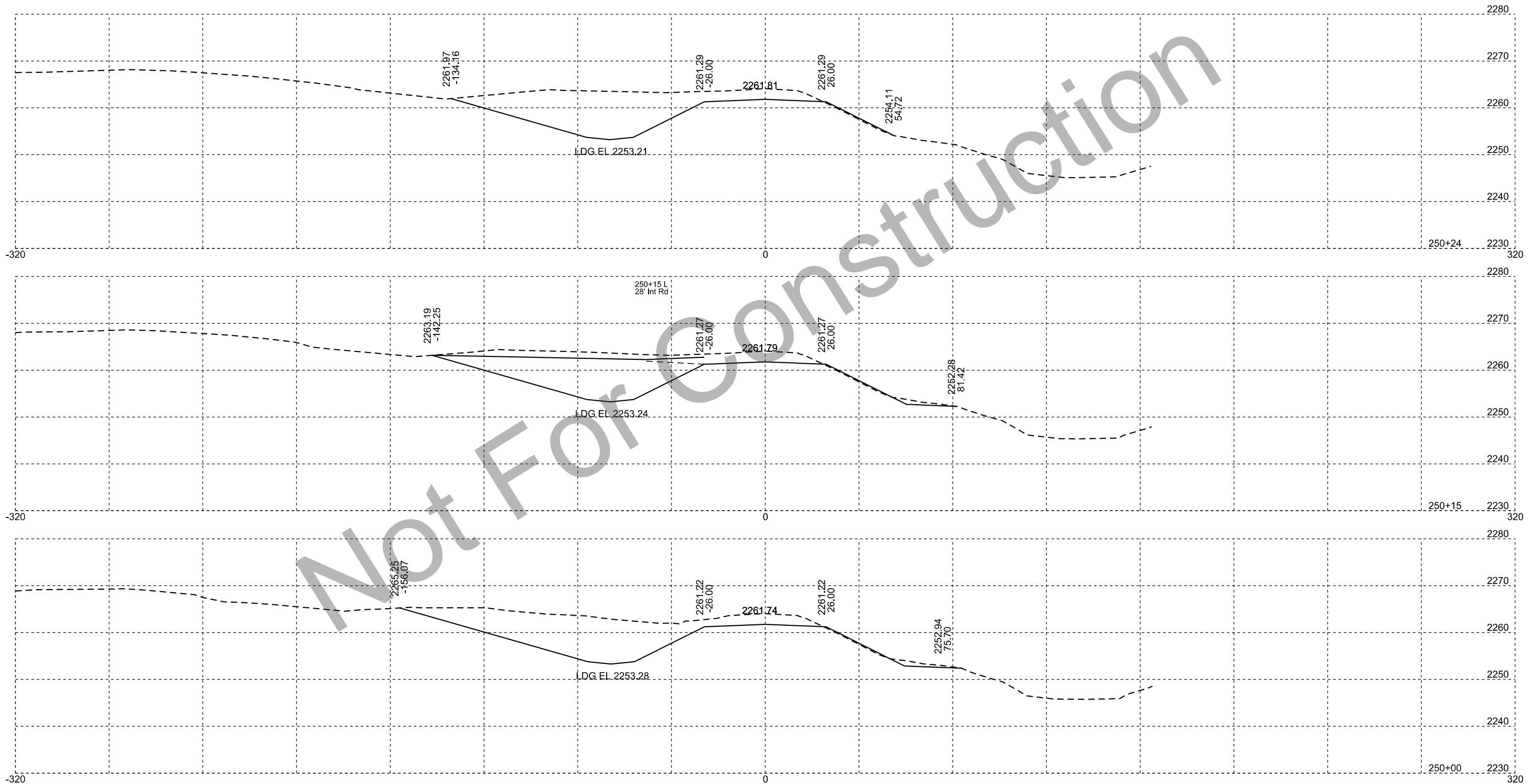


Not For Construction

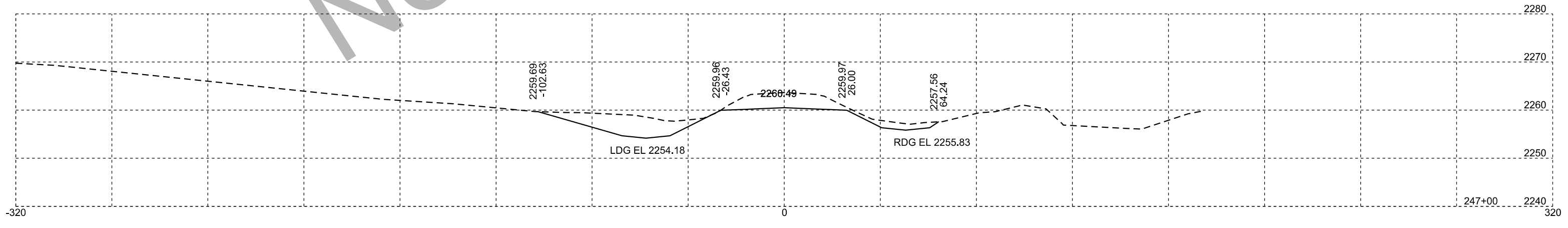
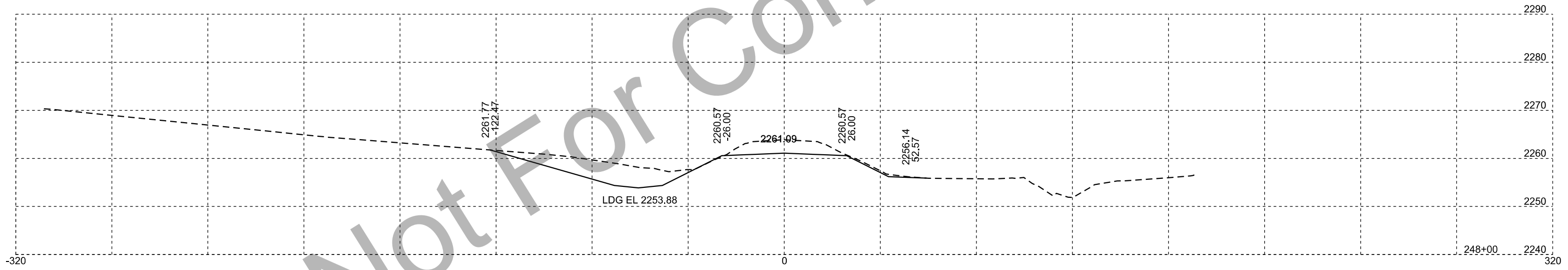
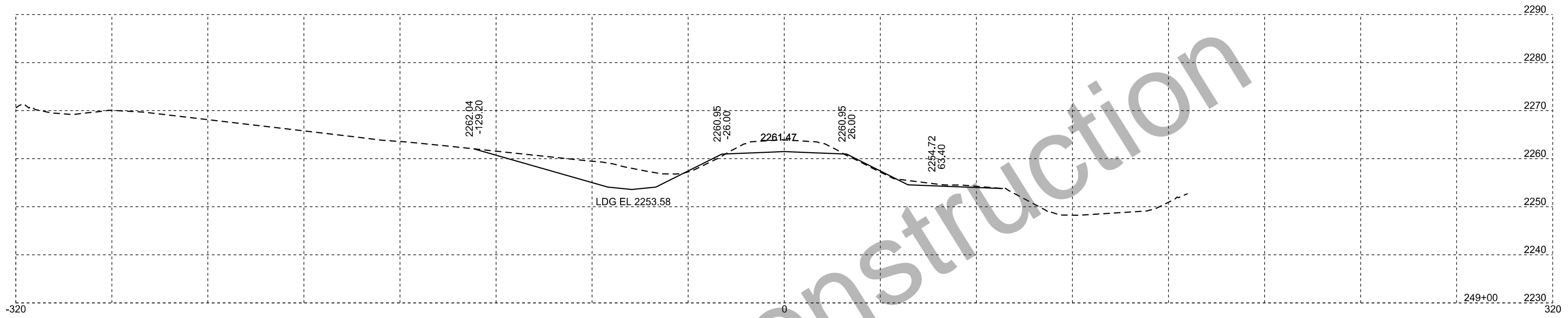
STATE OF SOUTH DAKOTA	PROJECT	SHEET	TOTAL SHEETS
	NH 0012(206)112	X84	X185



STATE OF SOUTH DAKOTA	PROJECT	SHEET	TOTAL SHEETS
	NH 0012(206)112	X85	X185

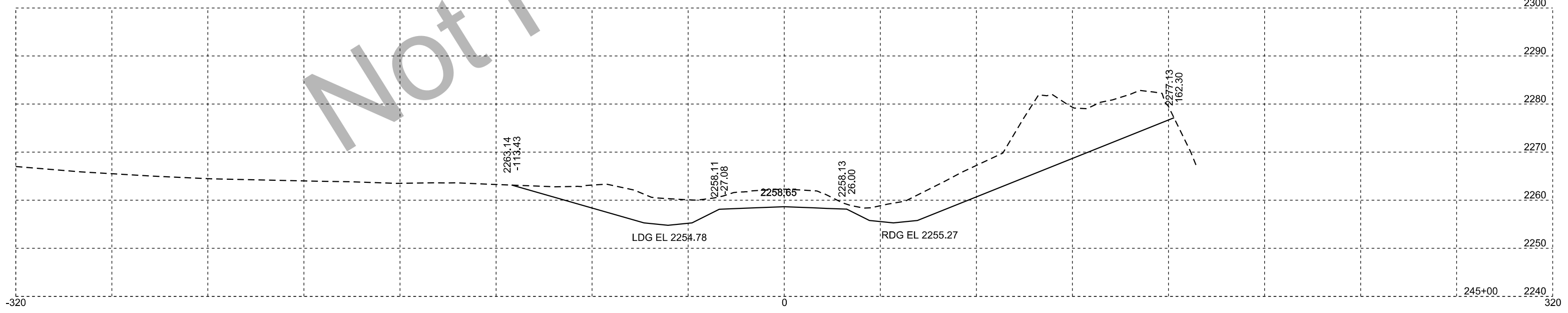
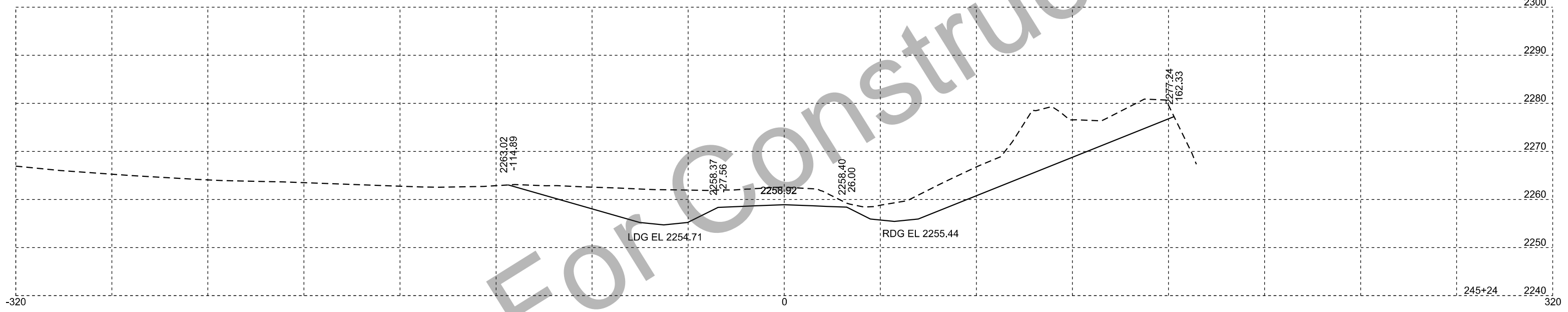
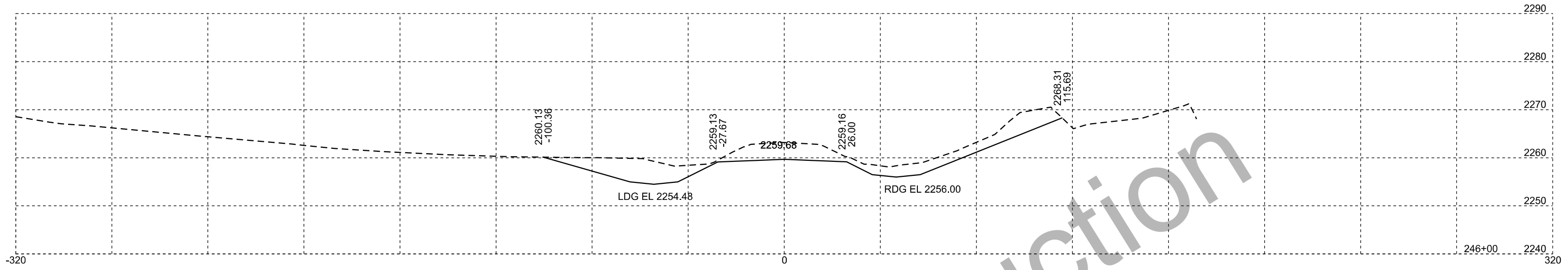


STATE OF SOUTH DAKOTA	PROJECT	SHEET	TOTAL SHEETS
	NH 0012(206)112	X86	X185



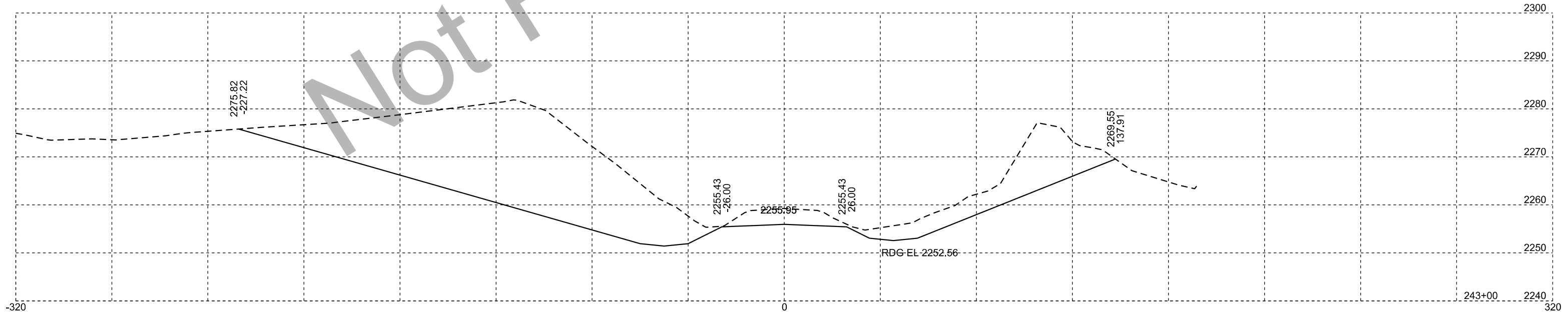
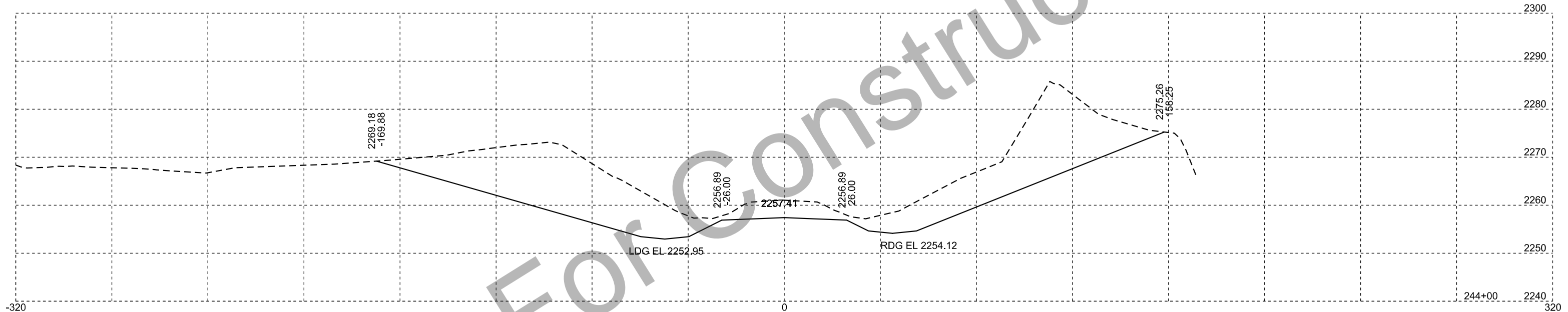
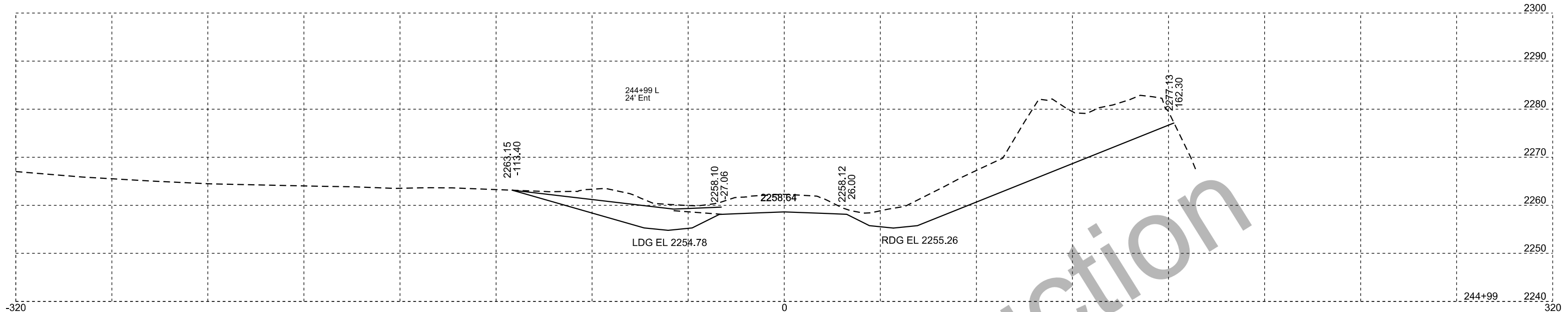
Not For Construction

STATE OF SOUTH DAKOTA	PROJECT	SHEET	TOTAL SHEETS
	NH 0012(206)112	X87	X185



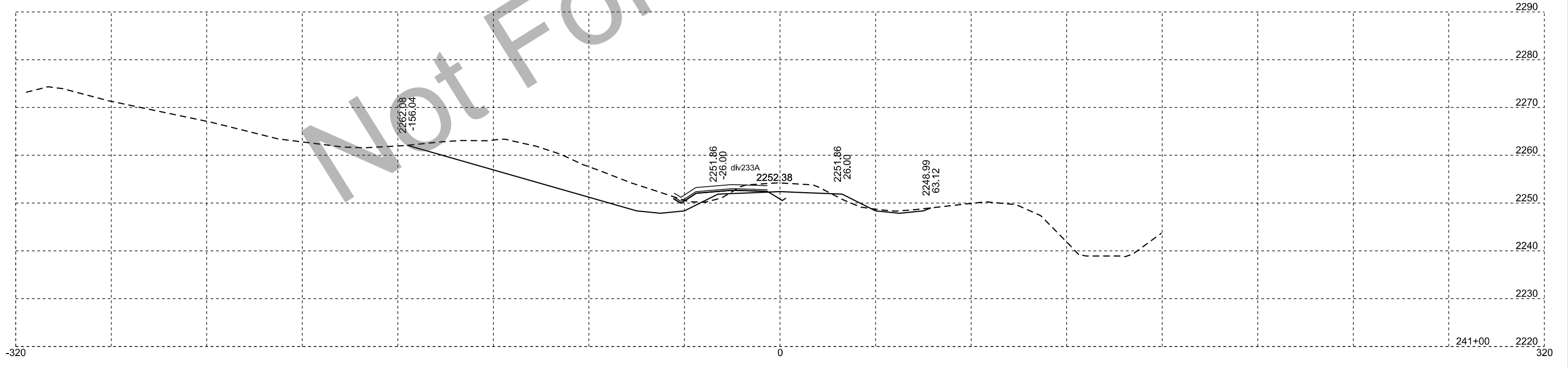
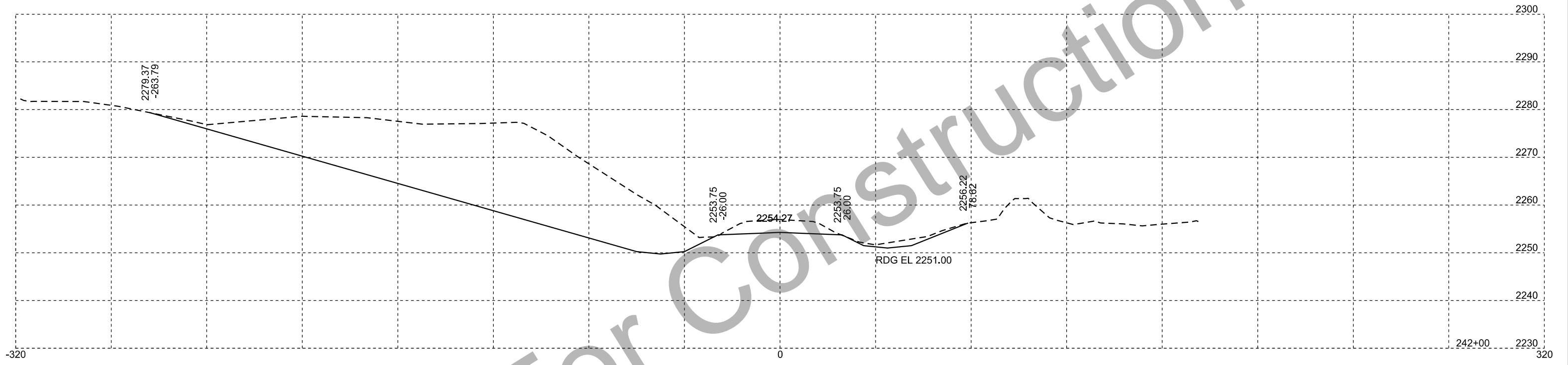
Not For Construction

STATE OF SOUTH DAKOTA	PROJECT	SHEET	TOTAL SHEETS
	NH 0012(206)112	X88	X185

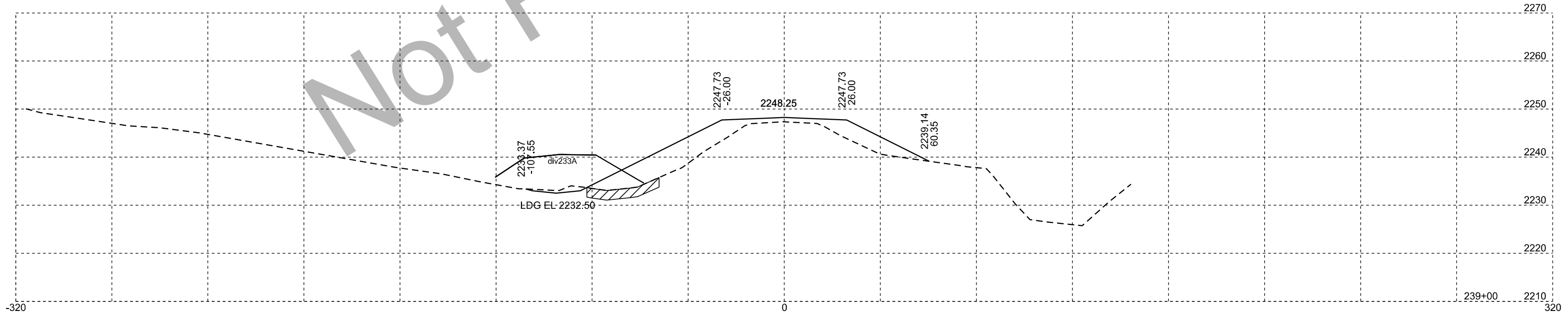
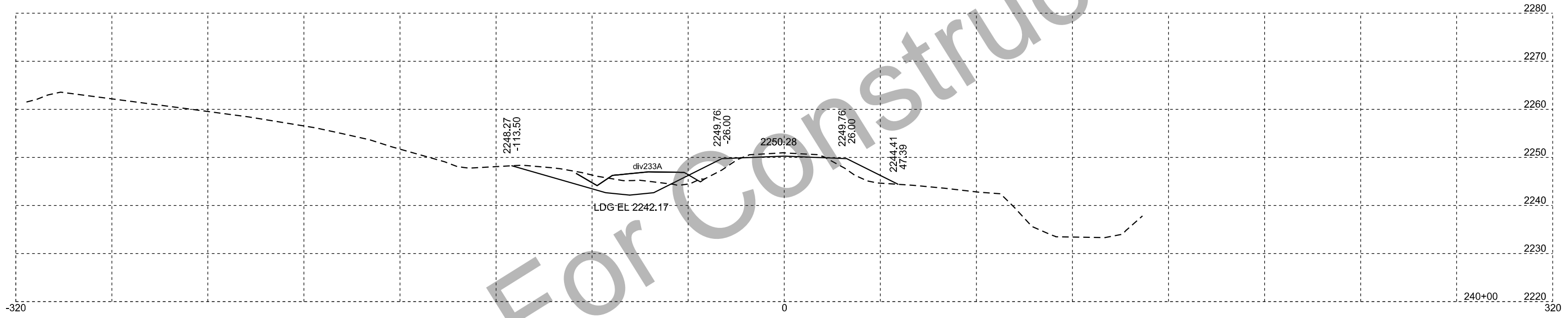




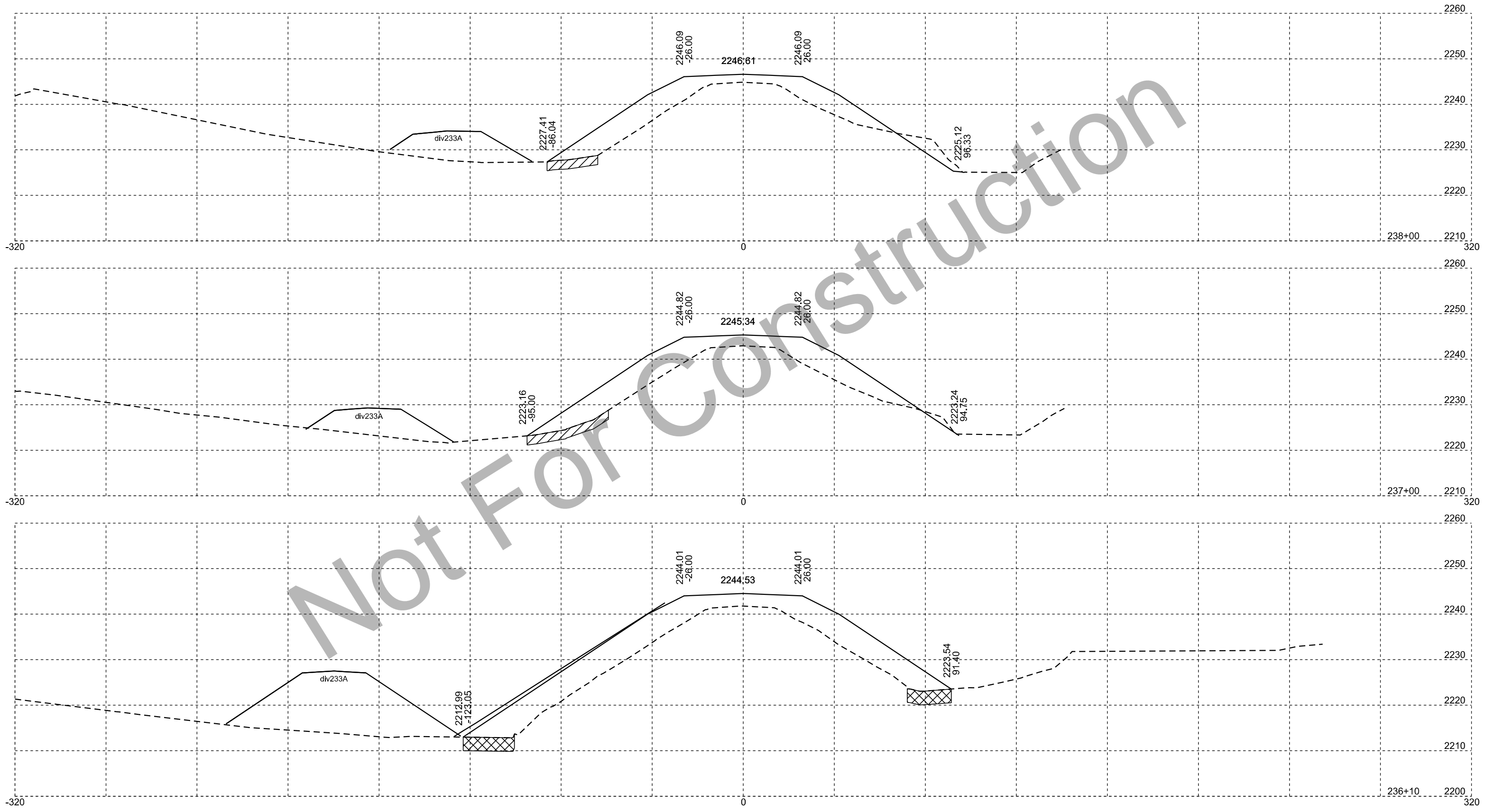
STATE OF SOUTH DAKOTA	PROJECT	SHEET	TOTAL SHEETS
	NH 0012(206)112	X89	X185



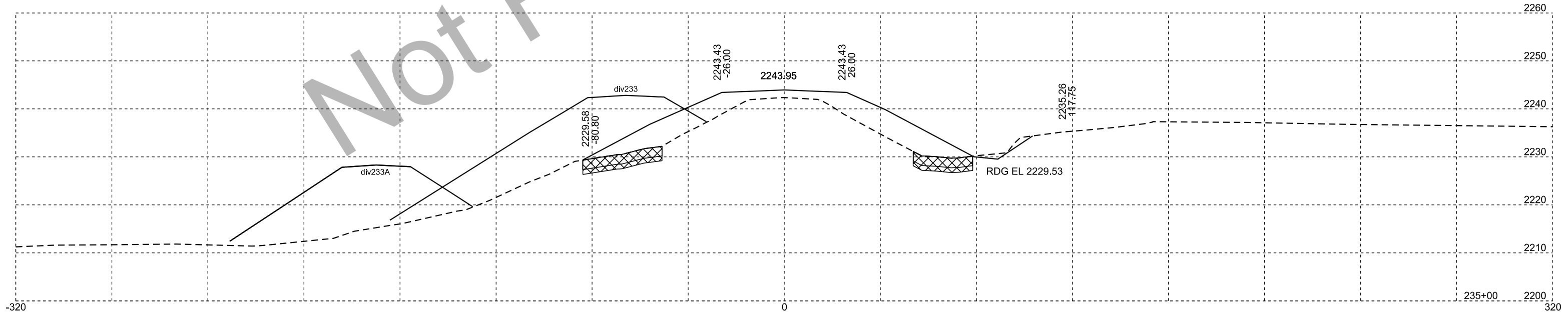
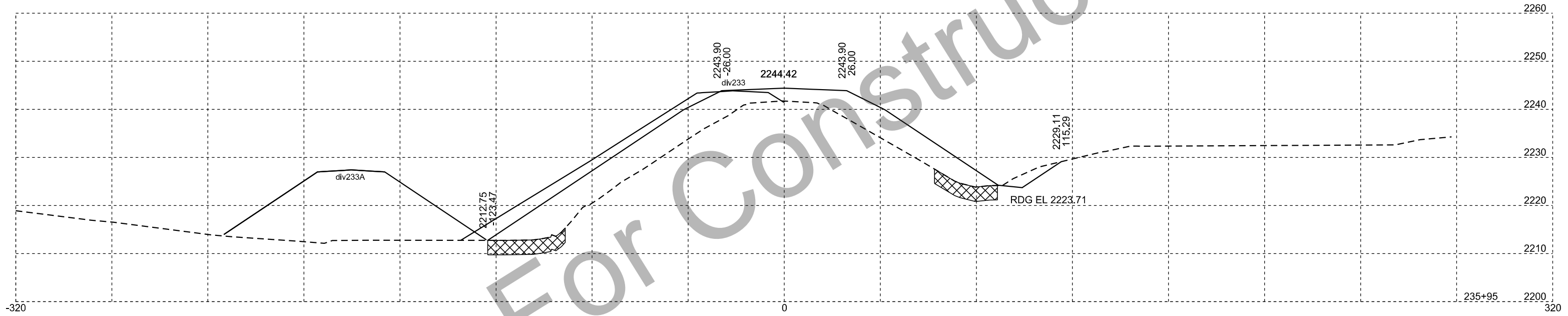
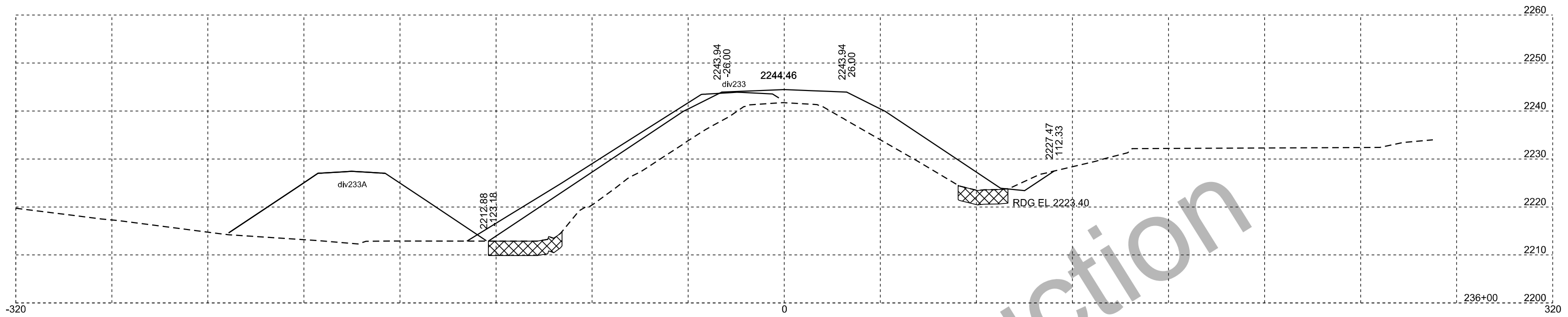
STATE OF SOUTH DAKOTA	PROJECT	SHEET	TOTAL SHEETS
	NH 0012(206)112	X90	X185



STATE OF SOUTH DAKOTA	PROJECT	SHEET	TOTAL SHEETS
	NH 0012(206)112	X91	X185

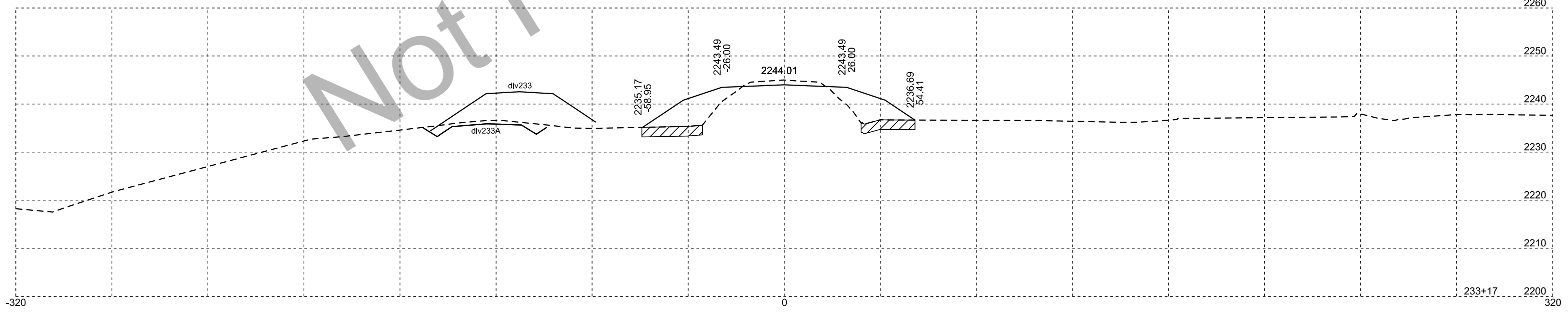
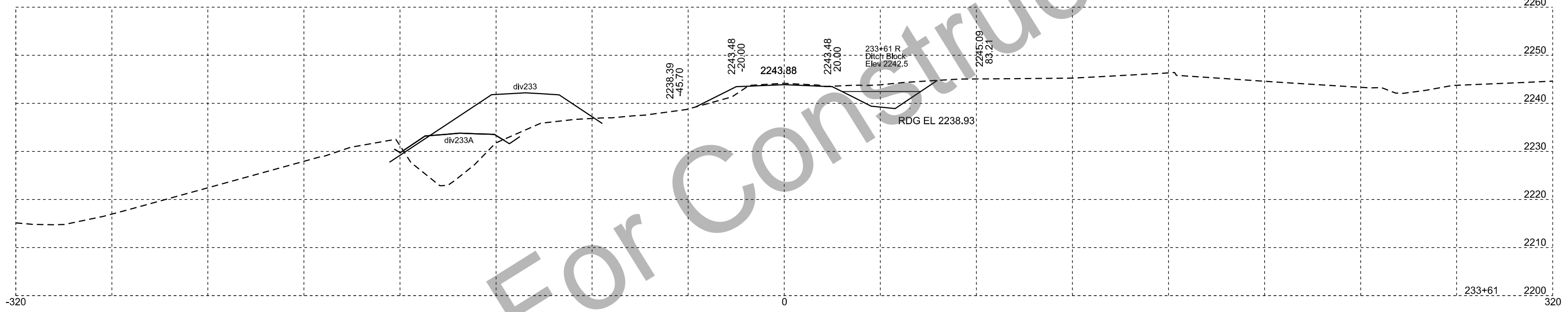
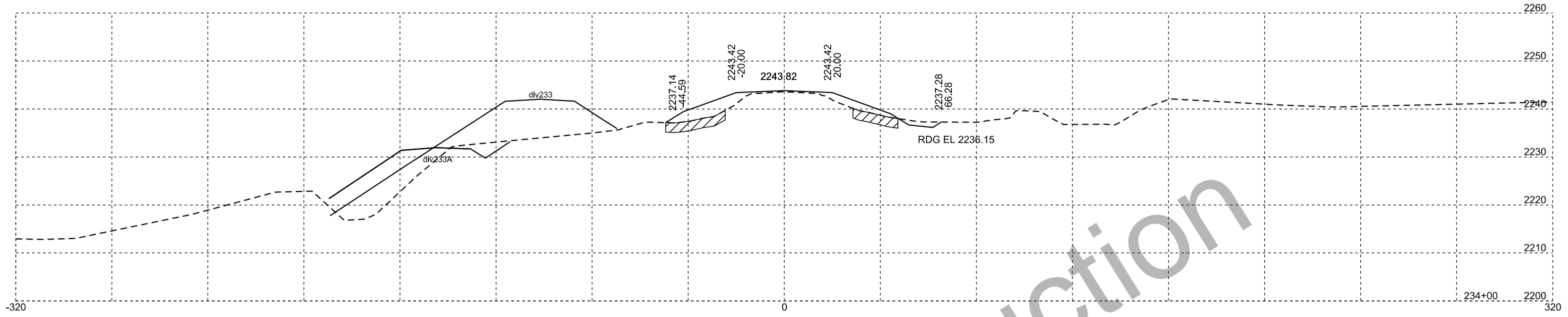


STATE OF SOUTH DAKOTA	PROJECT	SHEET	TOTAL SHEETS
	NH 0012(206)112	X92	X185



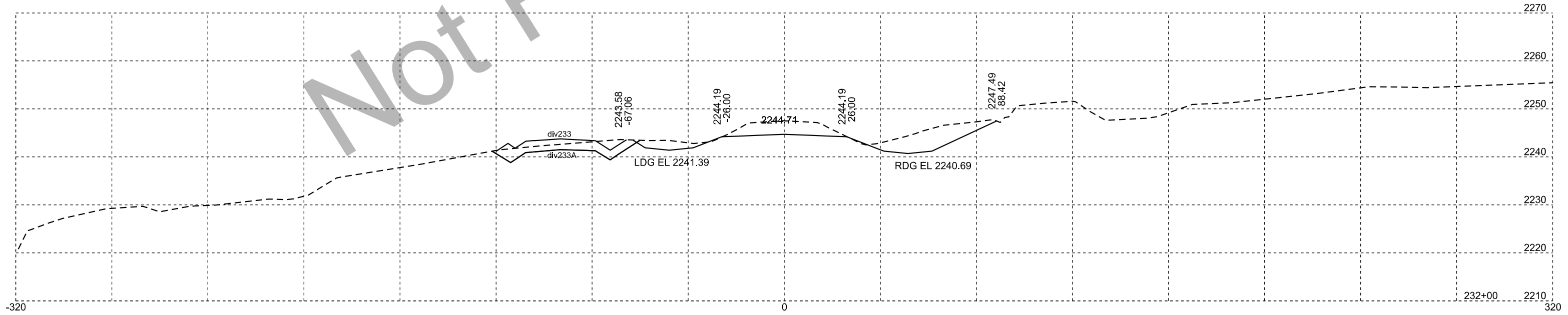
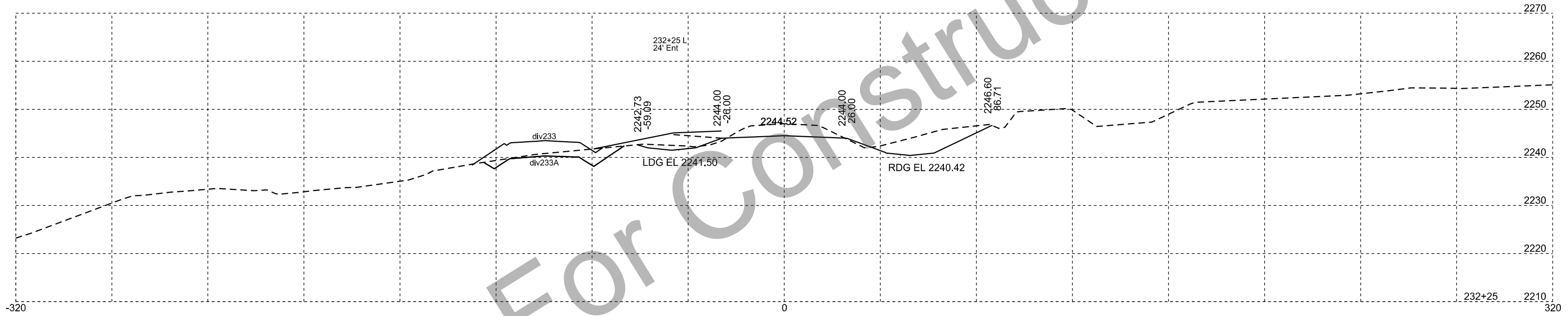
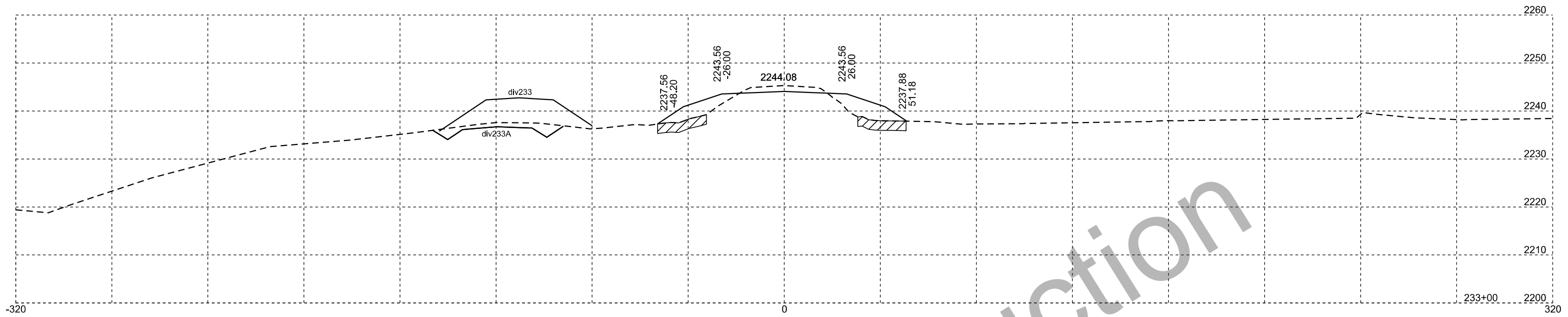
Not For Construction

STATE OF SOUTH DAKOTA	PROJECT	SHEET	TOTAL SHEETS
	NH 0012(206)112	X93	X185

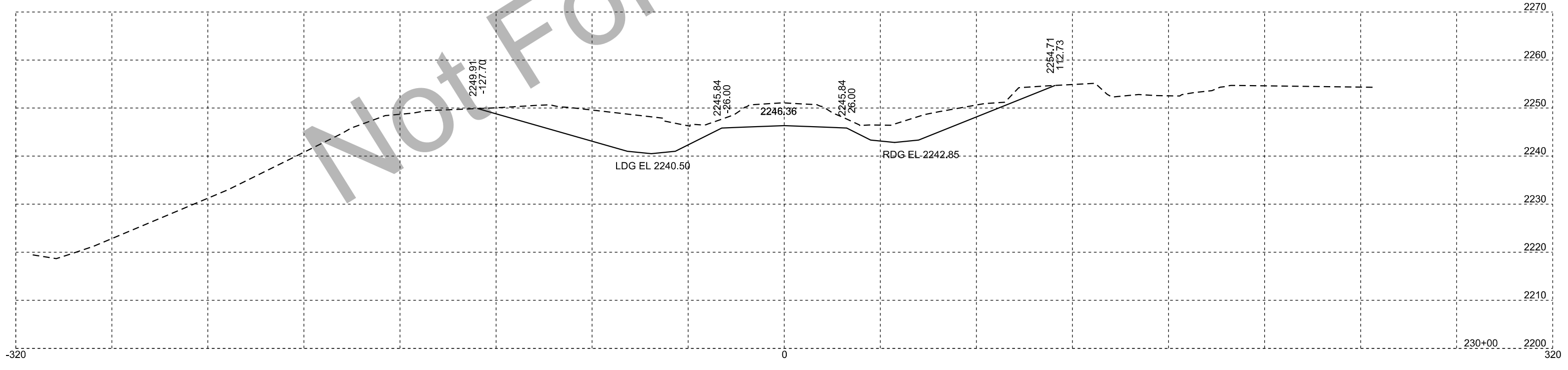
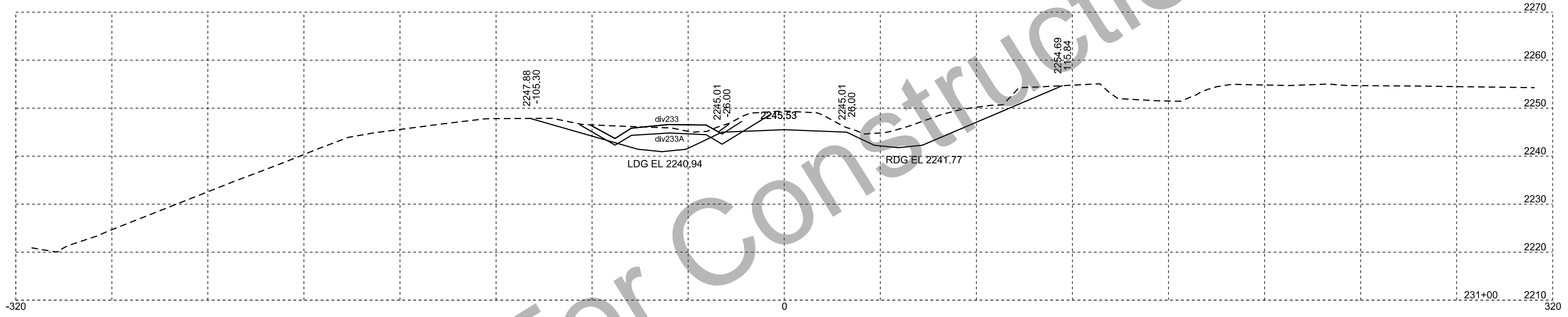


Not For Construction

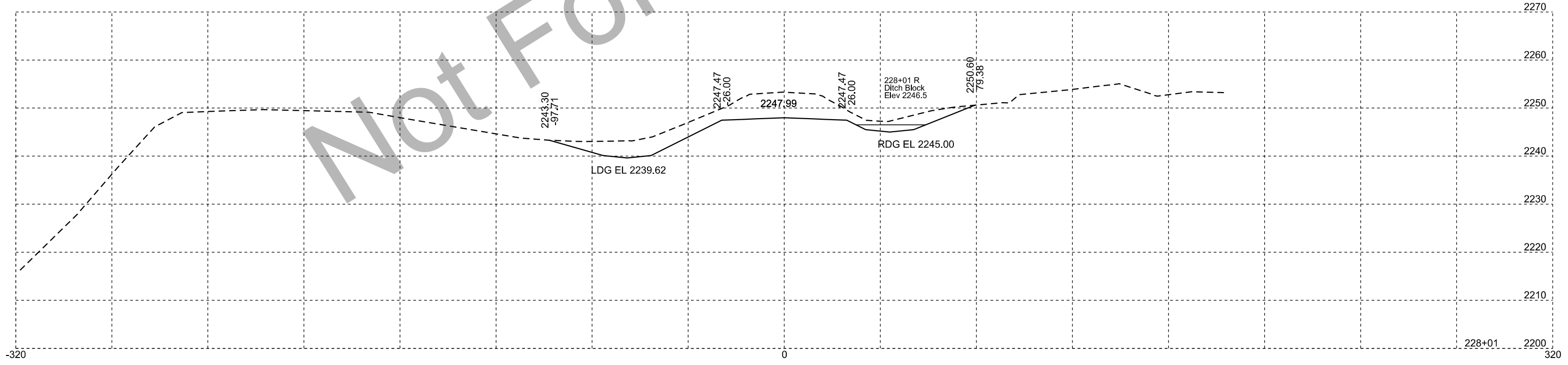
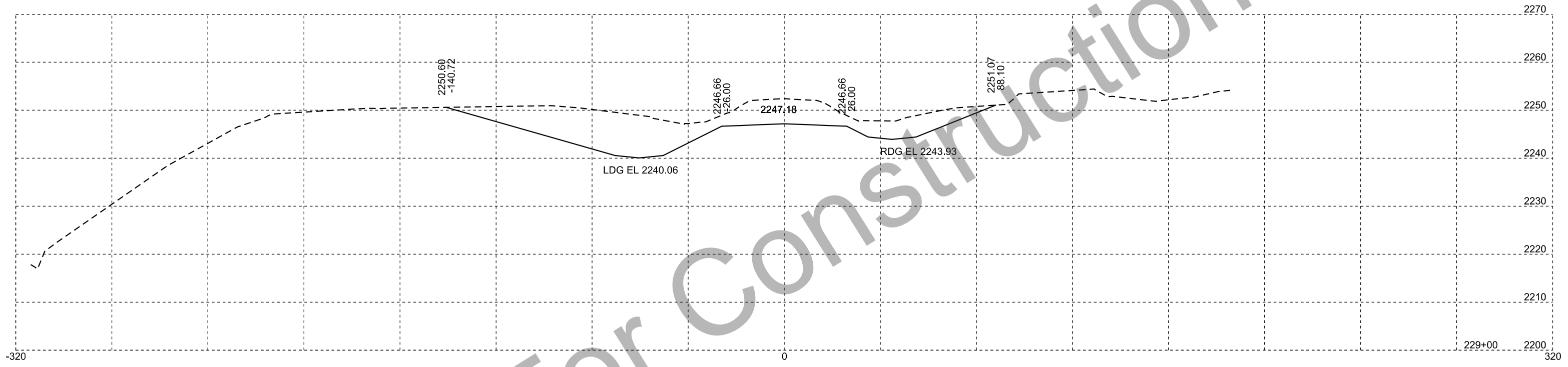
STATE OF SOUTH DAKOTA	PROJECT	SHEET	TOTAL SHEETS
	NH 0012(206)112	X94	X185



STATE OF SOUTH DAKOTA	PROJECT	SHEET	TOTAL SHEETS
	NH 0012(206)112	X95	X185



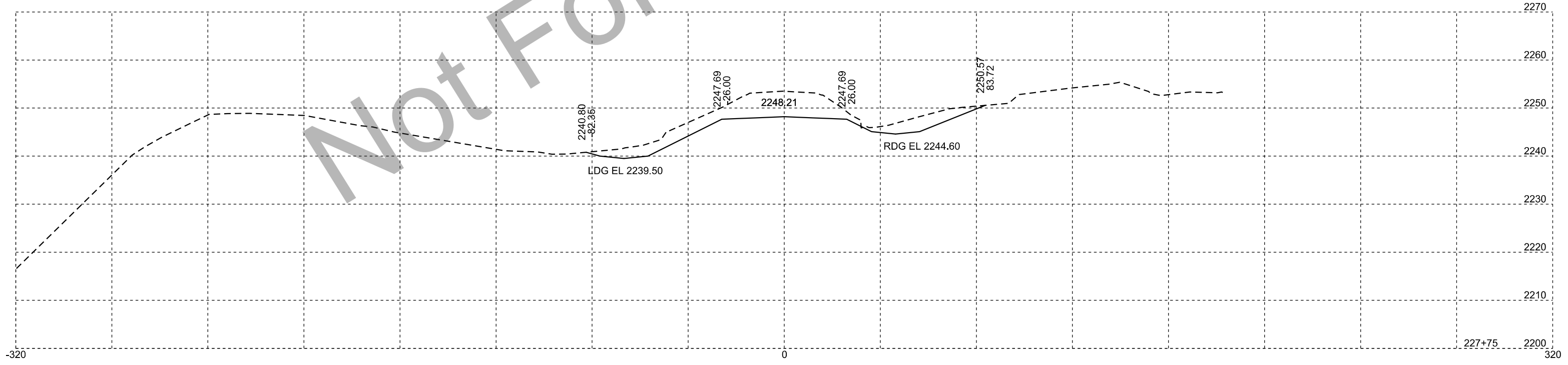
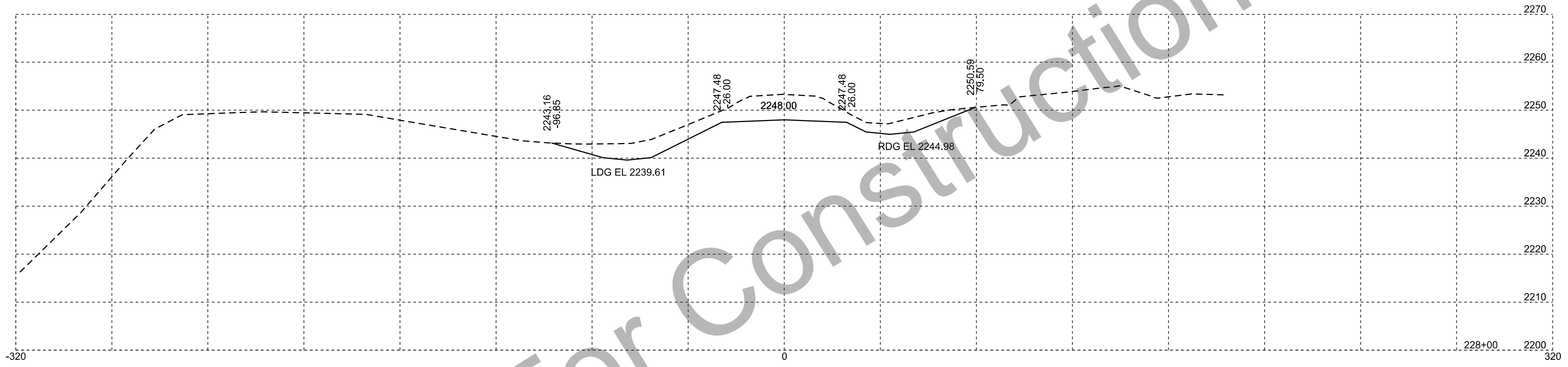
STATE OF SOUTH DAKOTA	PROJECT	SHEET	TOTAL SHEETS
	NH 0012(206)112	X96	X185



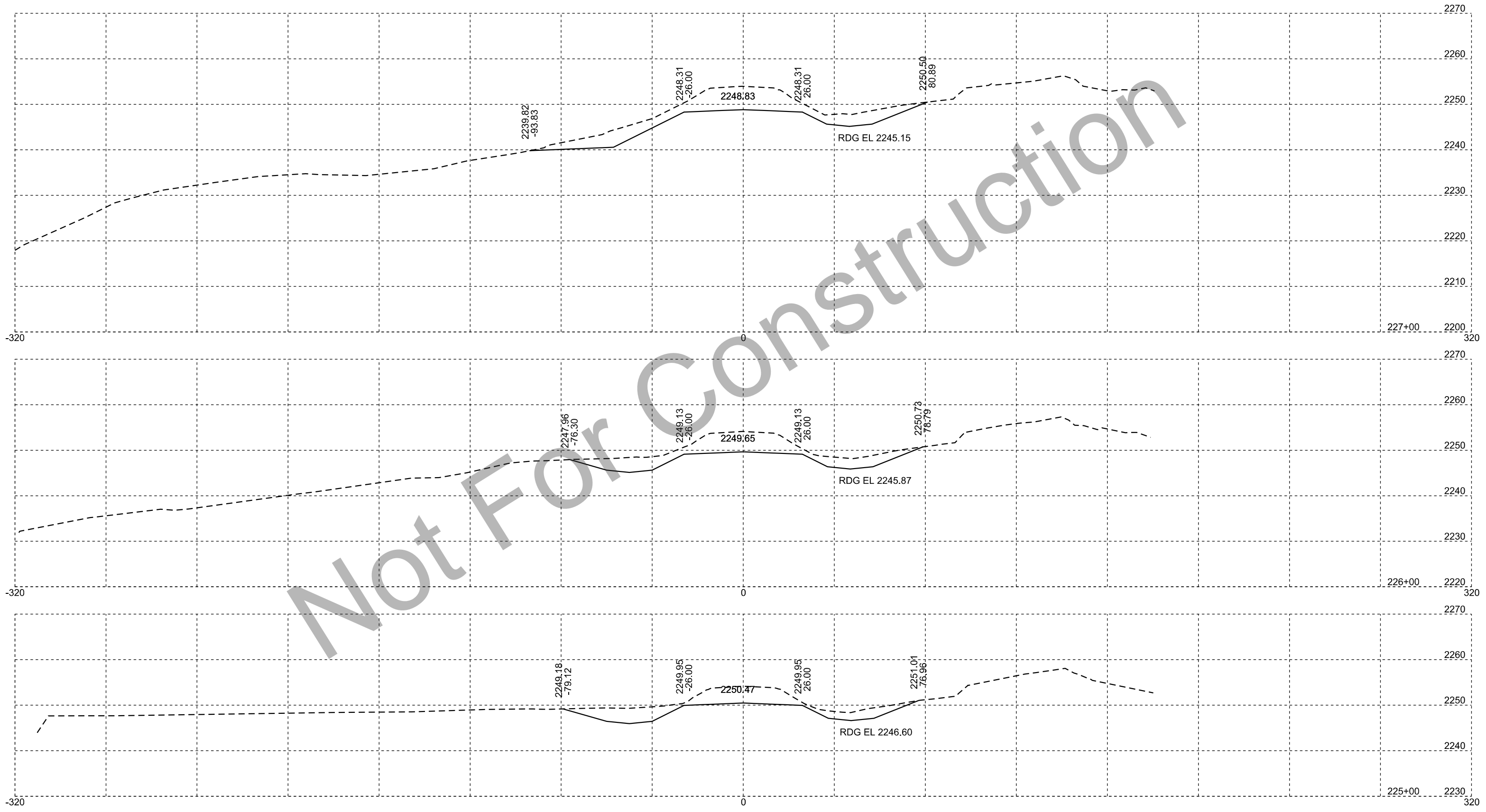
Not For Construction



STATE OF SOUTH DAKOTA	PROJECT	SHEET	TOTAL SHEETS
	NH 0012(206)112	X97	X185

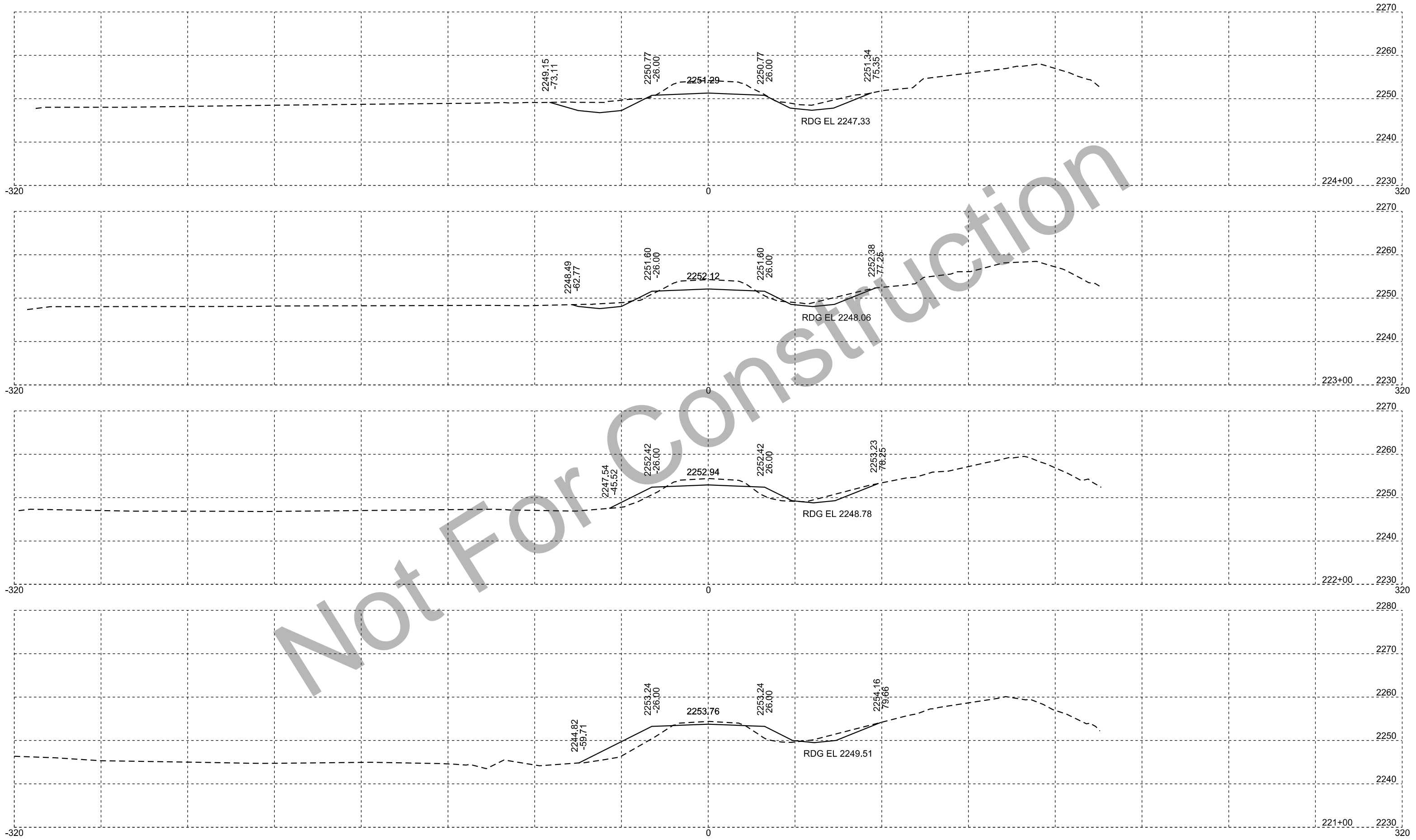


STATE OF SOUTH DAKOTA	PROJECT	SHEET	TOTAL SHEETS
	NH 0012(206)112	X98	X185



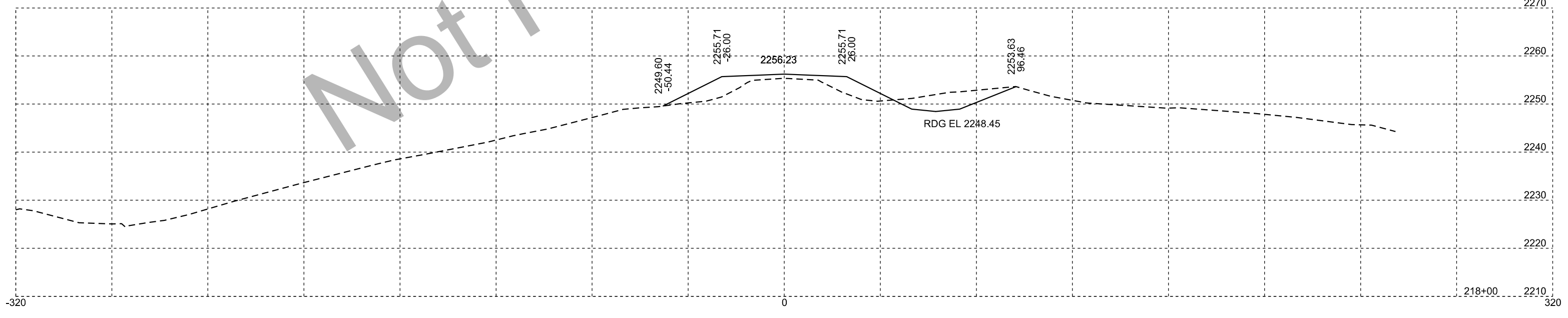
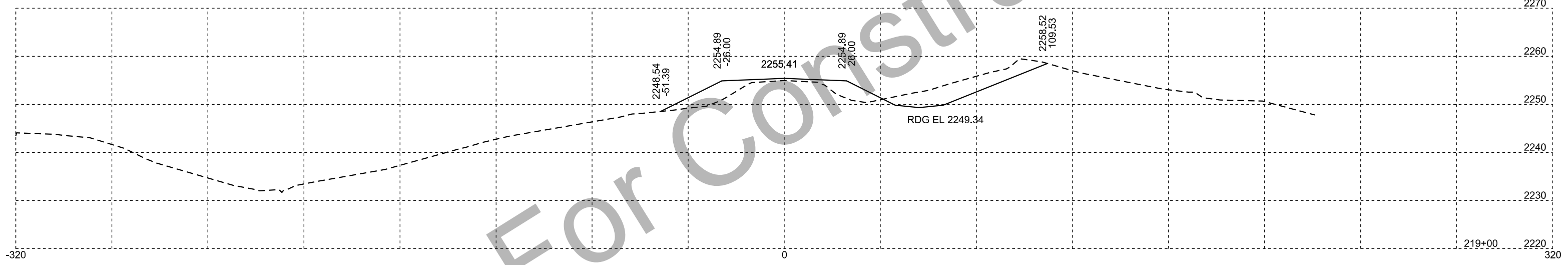
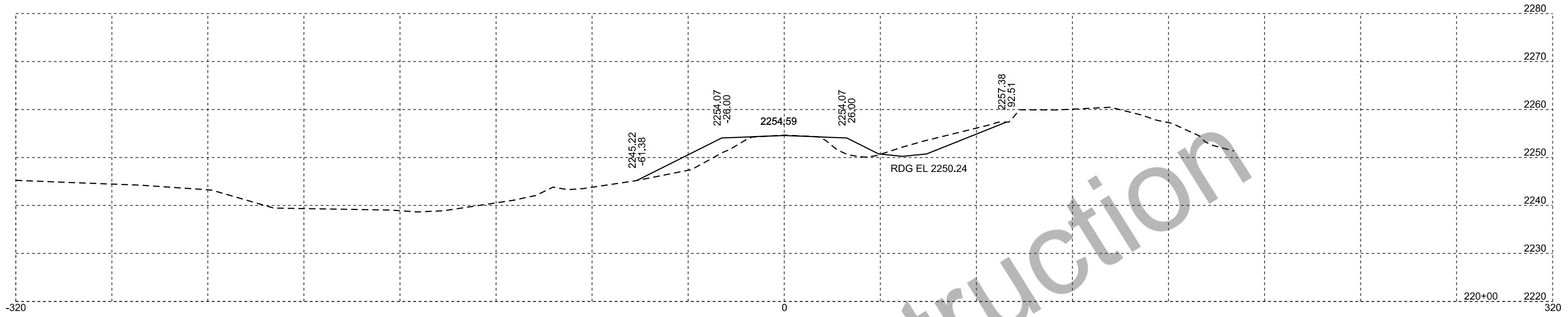
Not For Construction

STATE OF SOUTH DAKOTA	PROJECT	SHEET	TOTAL SHEETS
	NH 0012(206)112	X99	X185



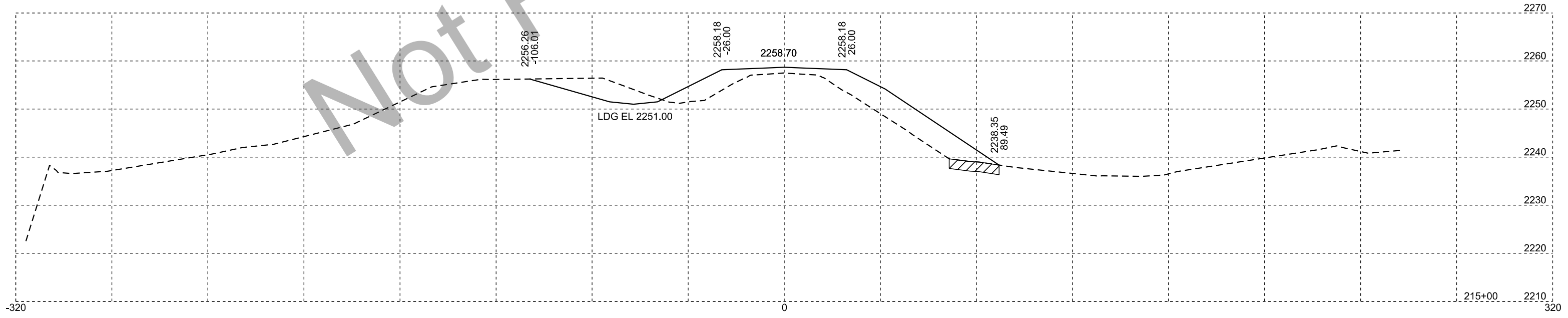
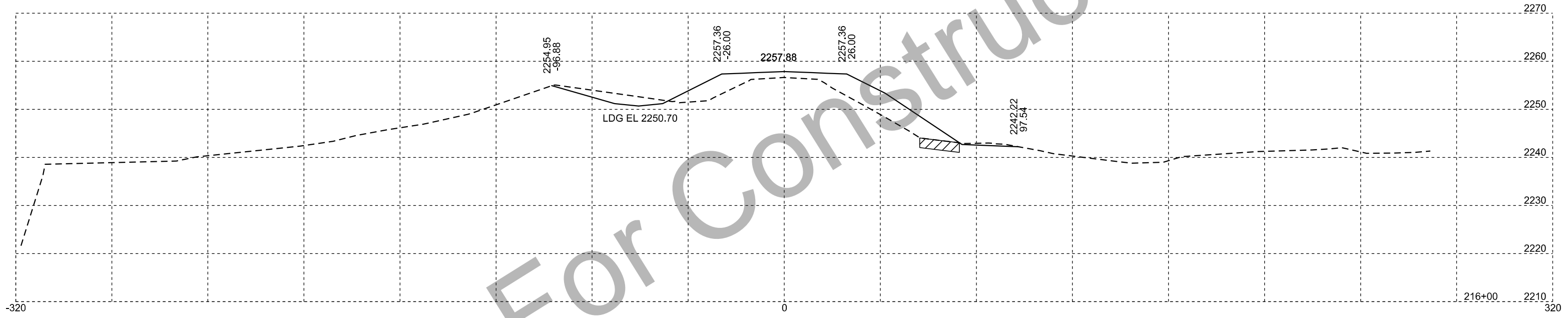
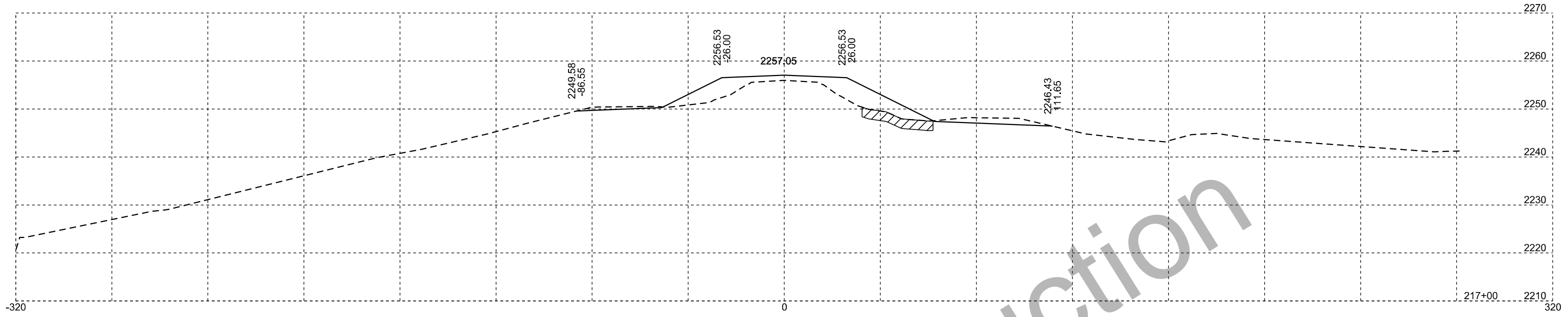
Not For Construction

STATE OF SOUTH DAKOTA	PROJECT	SHEET	TOTAL SHEETS
	NH 0012(206)112	X100	X185



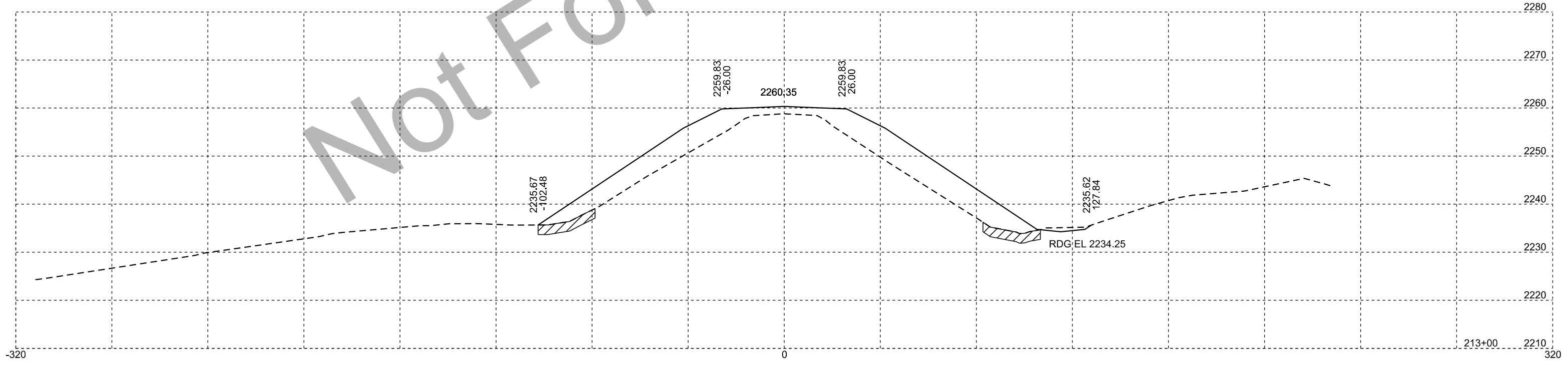
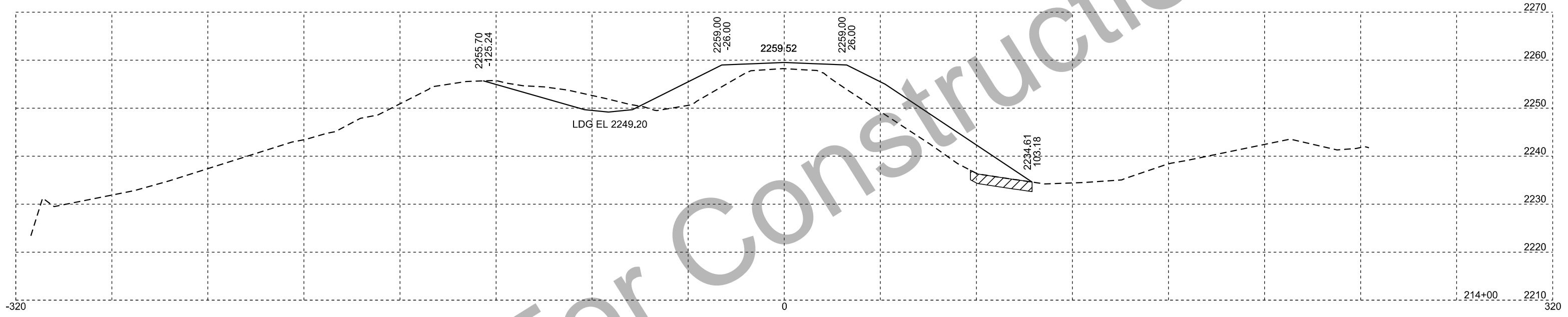
Not For Construction

STATE OF SOUTH DAKOTA	PROJECT	SHEET	TOTAL SHEETS
	NH 0012(206)112	X101	X185

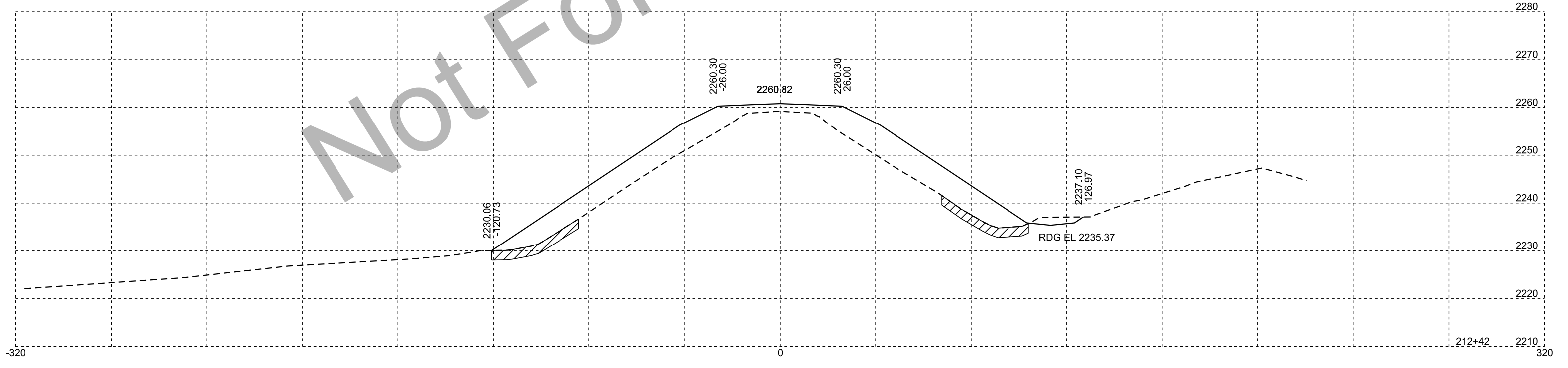
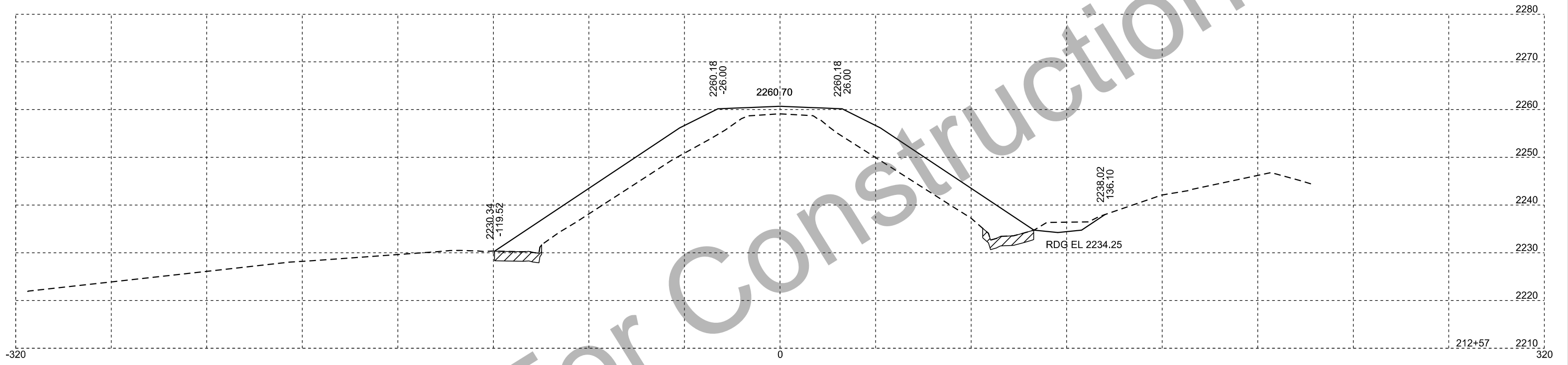


Not For Construction

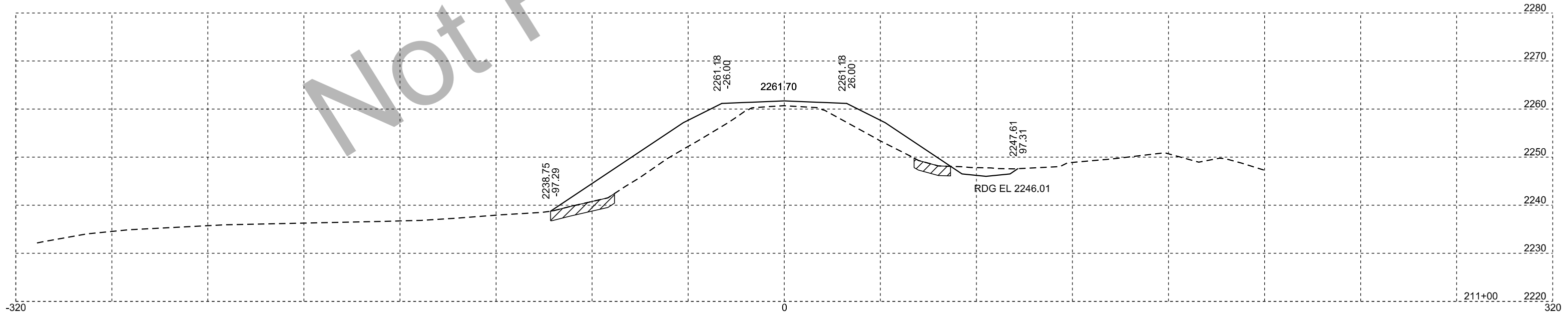
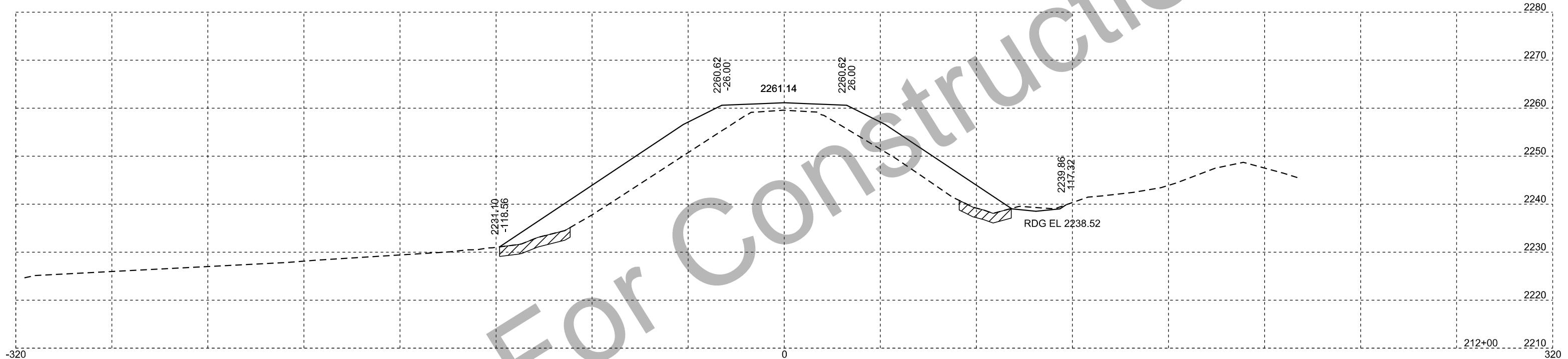
STATE OF SOUTH DAKOTA	PROJECT	SHEET	TOTAL SHEETS
	NH 0012(206)112	X102	X185



STATE OF SOUTH DAKOTA	PROJECT	SHEET	TOTAL SHEETS
	NH 0012(206)112	X103	X185

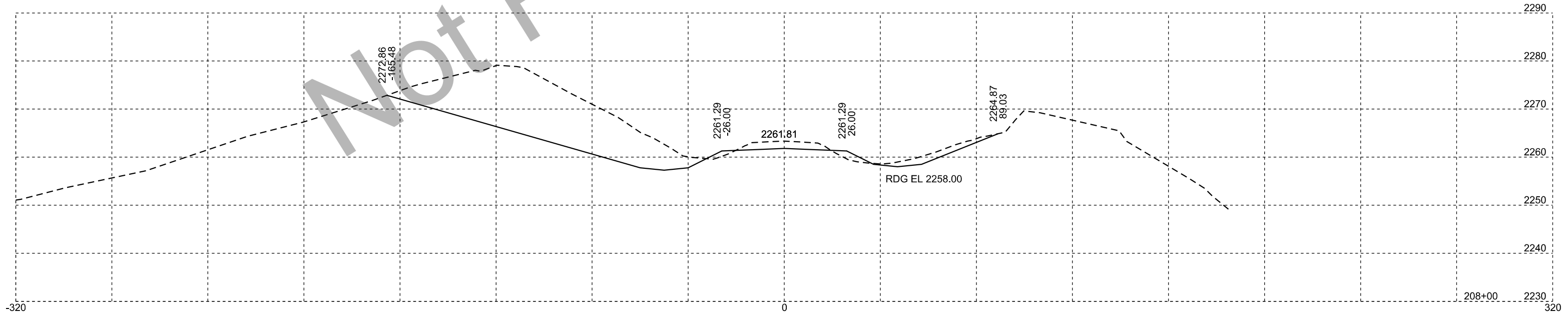
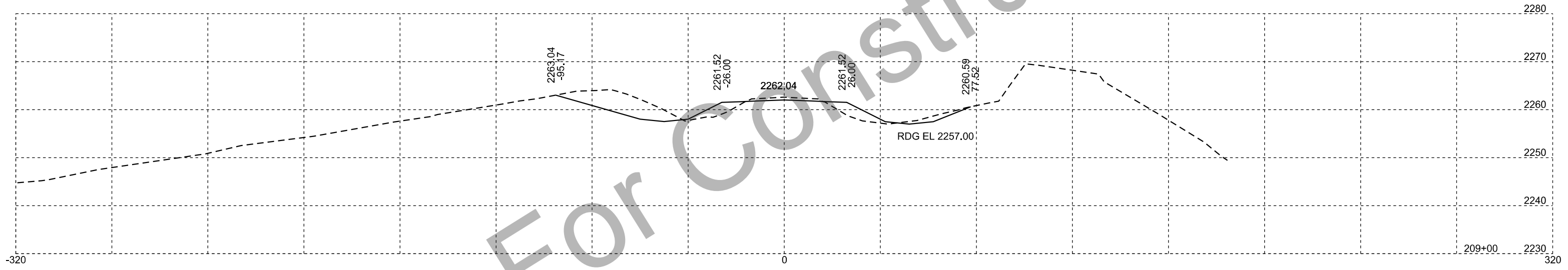
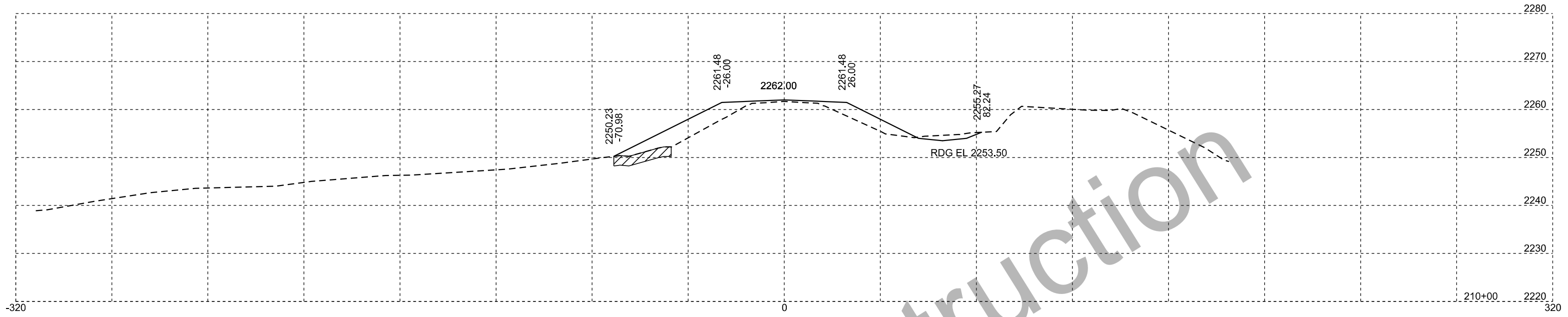


STATE OF SOUTH DAKOTA	PROJECT	SHEET	TOTAL SHEETS
	NH 0012(206)112	X104	X185

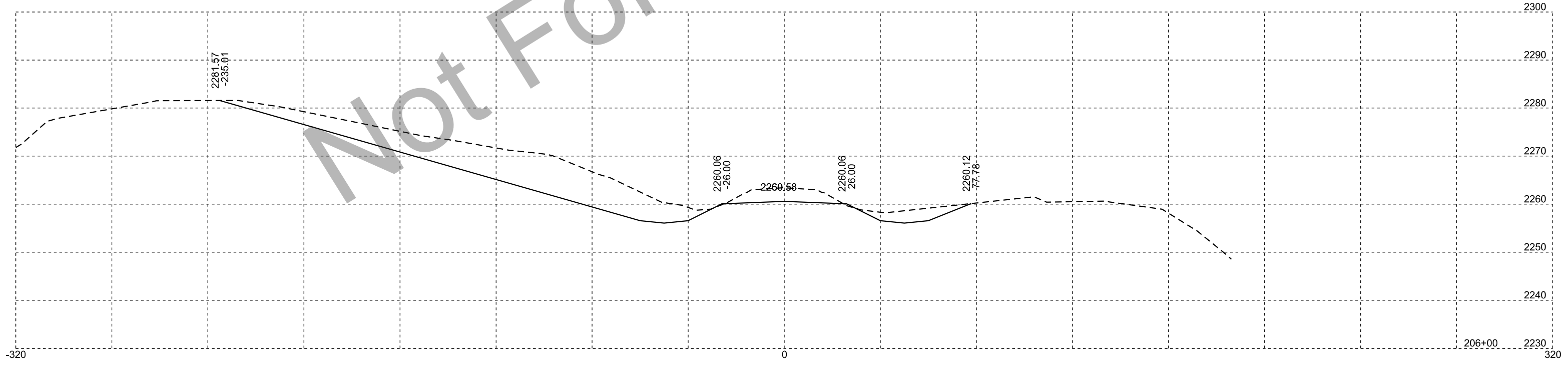
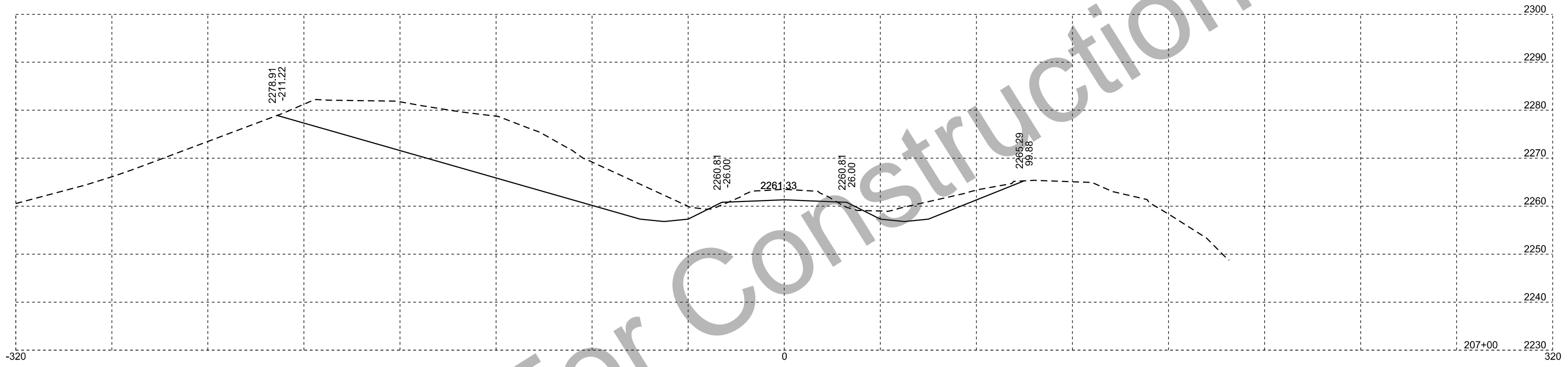




STATE OF SOUTH DAKOTA	PROJECT	SHEET	TOTAL SHEETS
	NH 0012(206)112	X105	X185

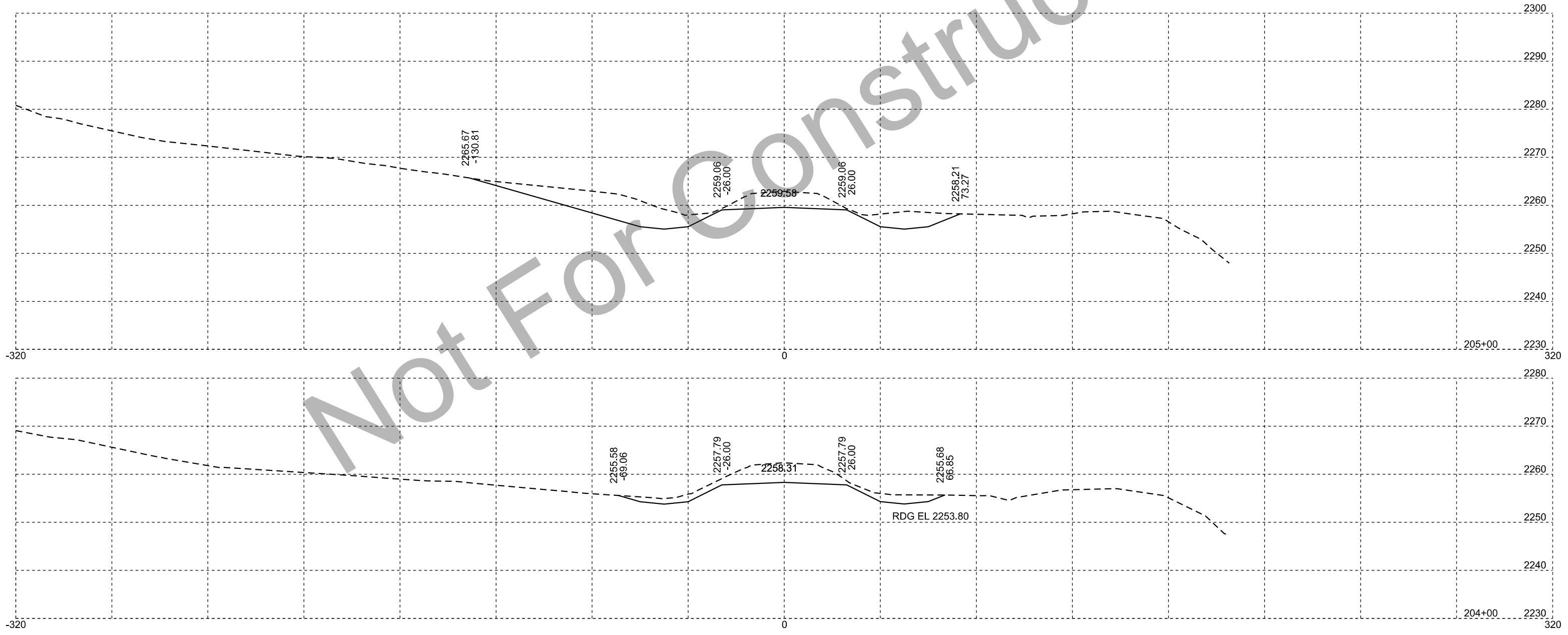


STATE OF SOUTH DAKOTA	PROJECT	SHEET	TOTAL SHEETS
	NH 0012(206)112	X106	X185



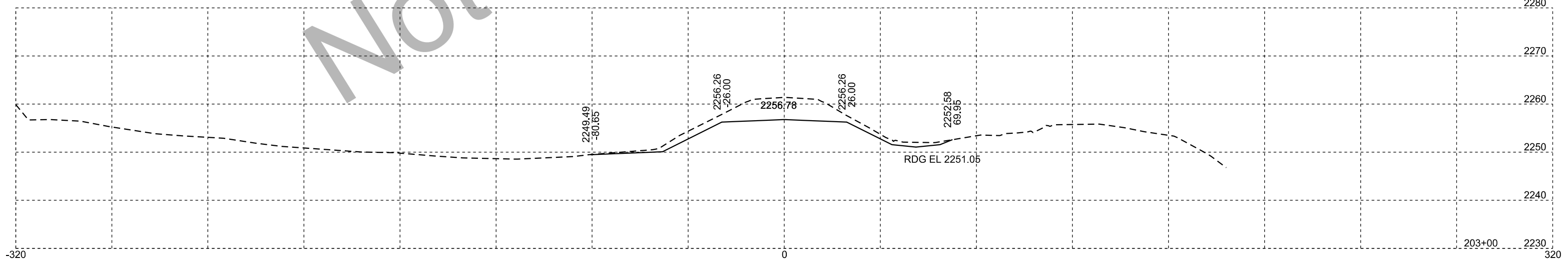
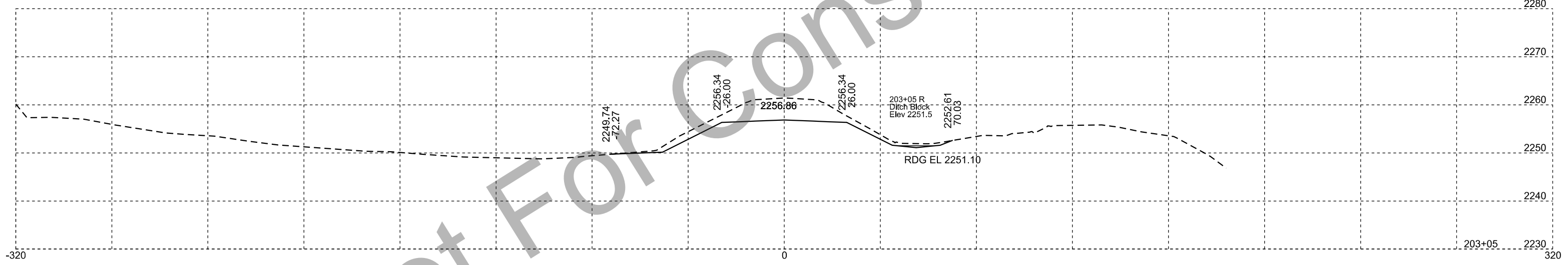
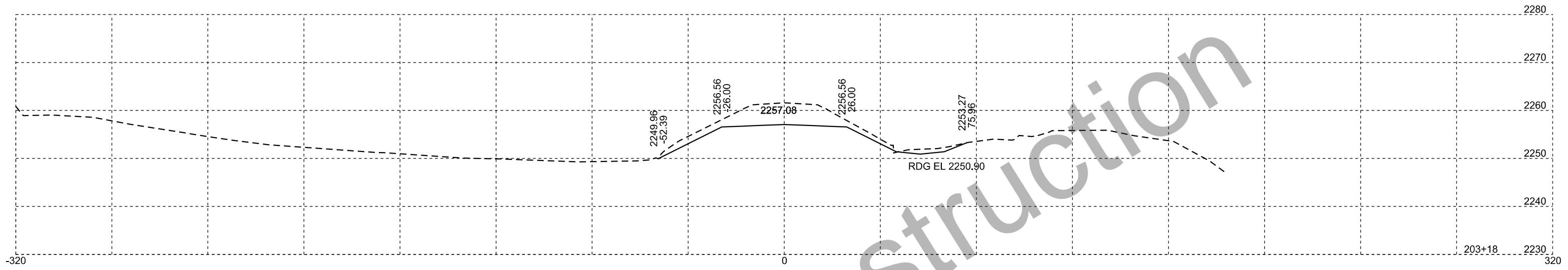
Not For Construction

STATE OF SOUTH DAKOTA	PROJECT	SHEET	TOTAL SHEETS
	NH 0012(206)112	X107	X185

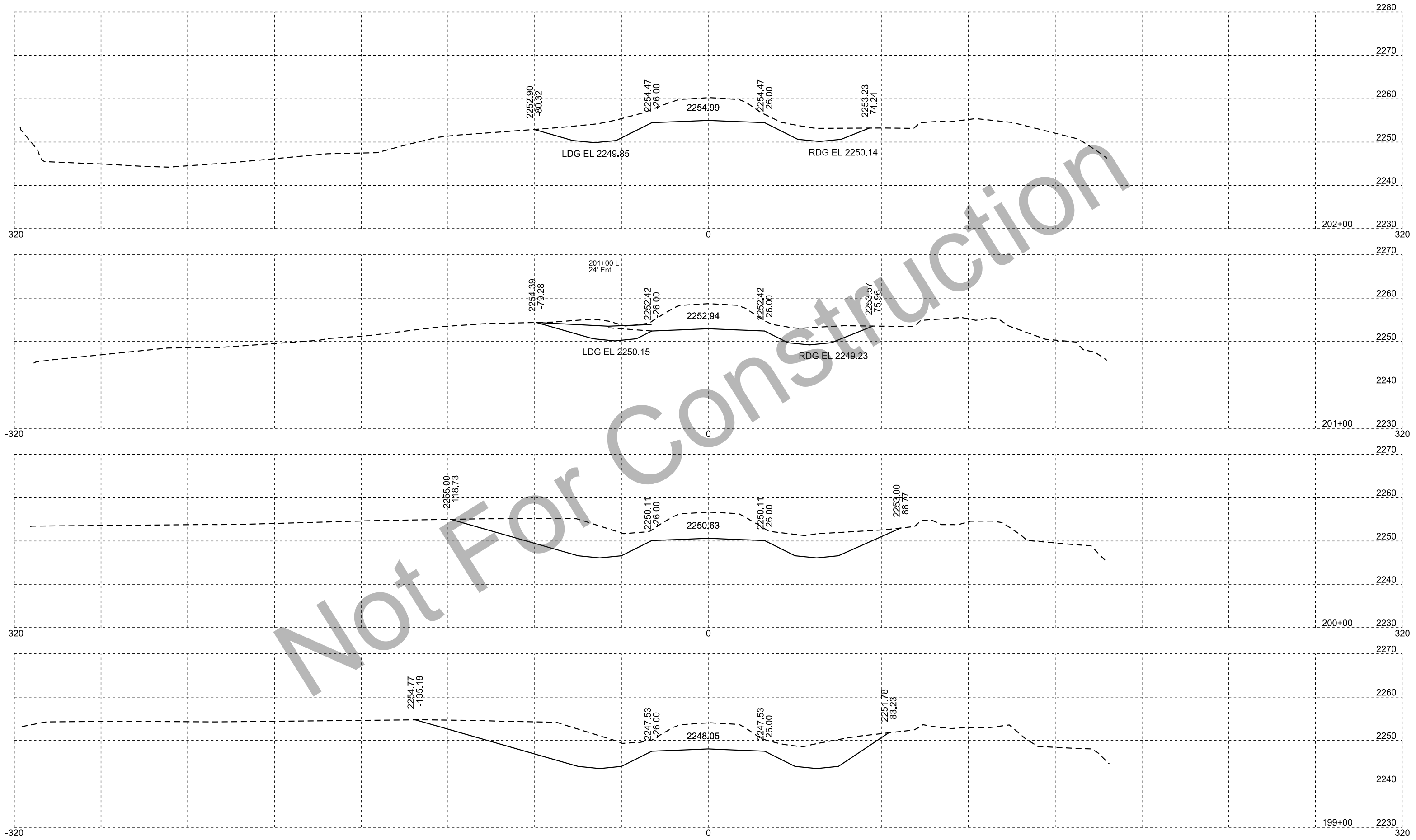


Not For Construction

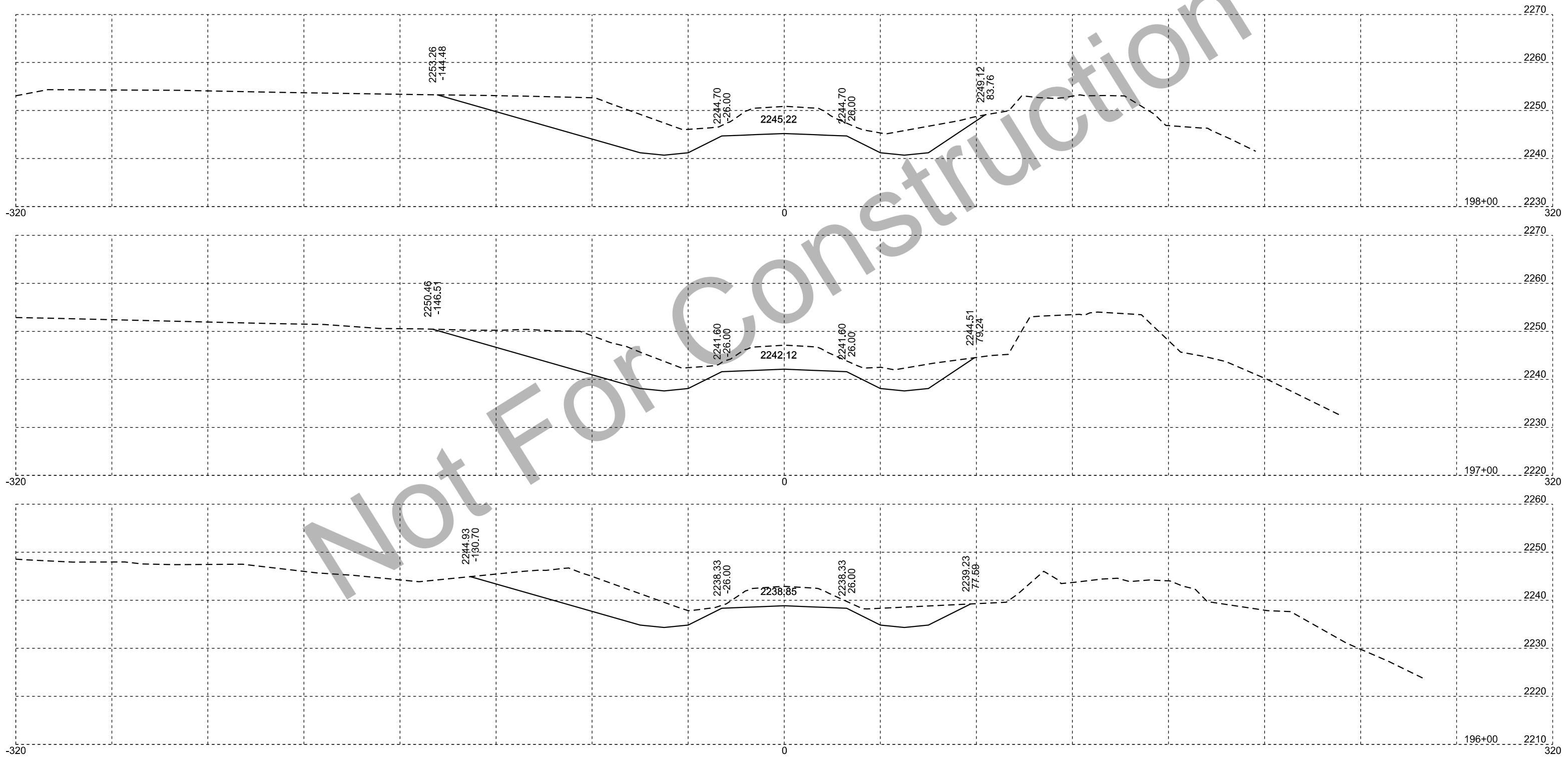
STATE OF SOUTH DAKOTA	PROJECT	SHEET	TOTAL SHEETS
	NH 0012(206)112	X108	X185



STATE OF SOUTH DAKOTA	PROJECT	SHEET	TOTAL SHEETS
	NH 0012(206)112	X109	X185

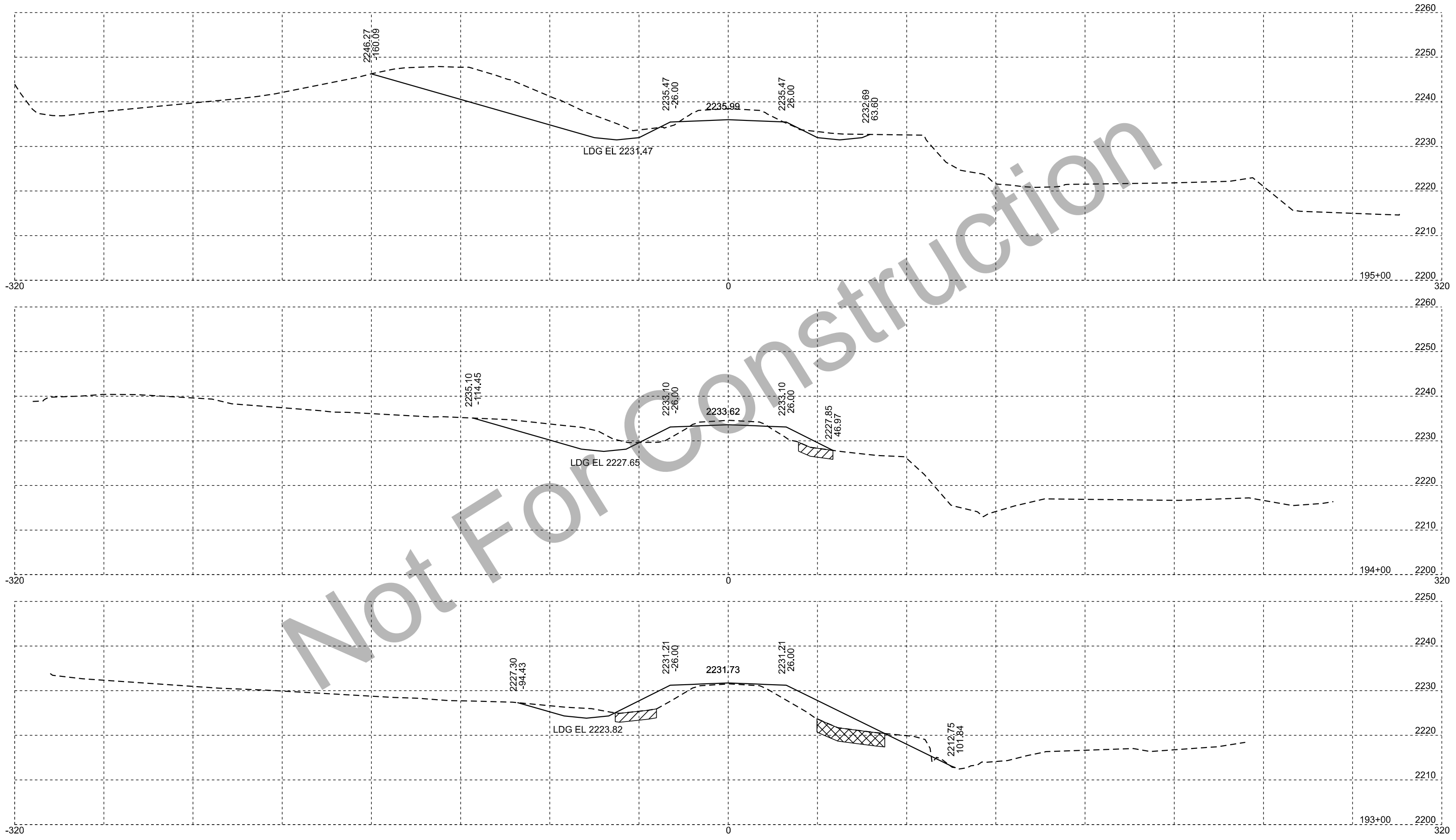


STATE OF SOUTH DAKOTA	PROJECT	SHEET	TOTAL SHEETS
	NH 0012(206)112	X110	X185

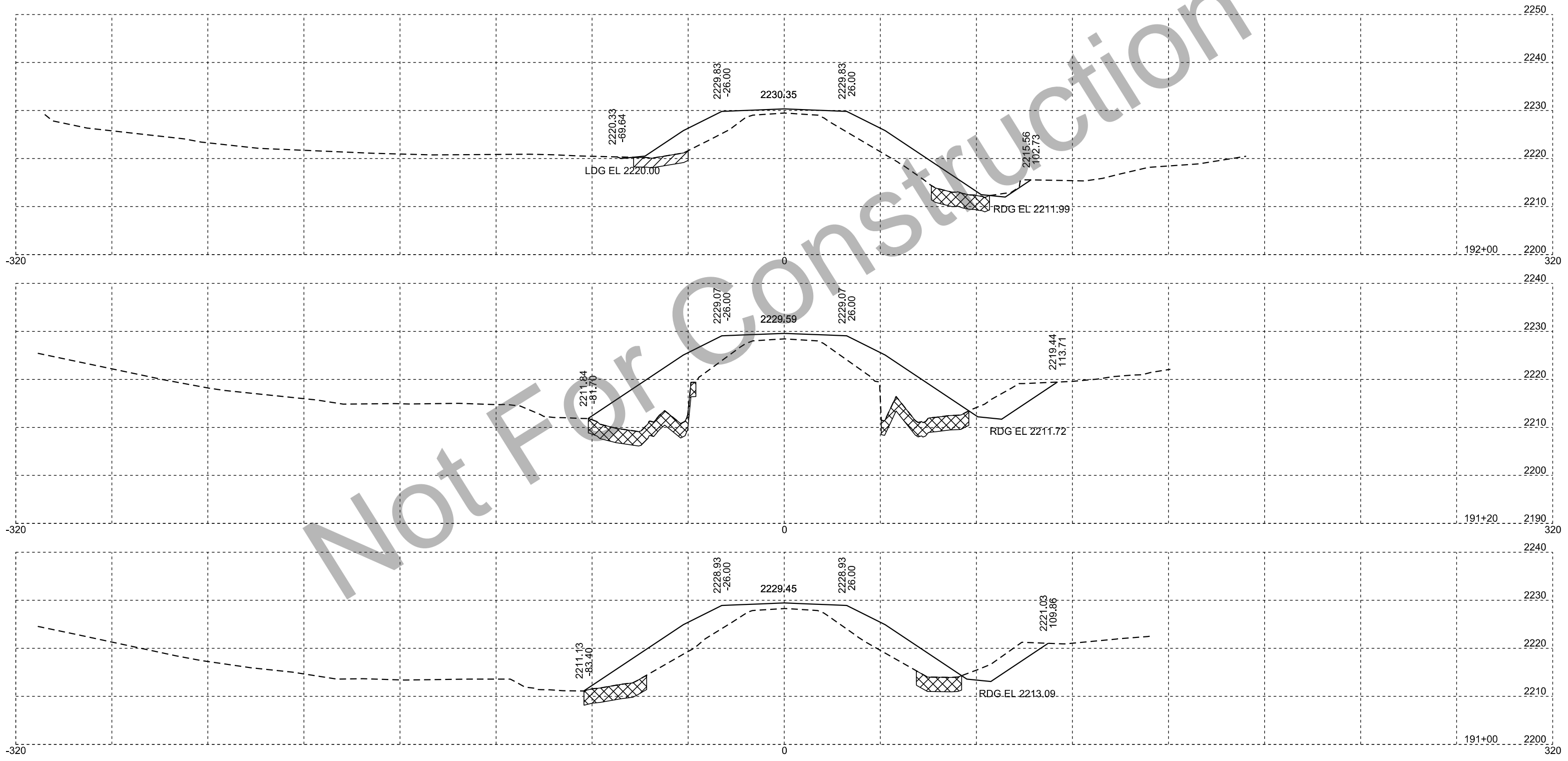


Not For Construction

STATE OF SOUTH DAKOTA	PROJECT	SHEET	TOTAL SHEETS
	NH 0012(206)112	X111	X185

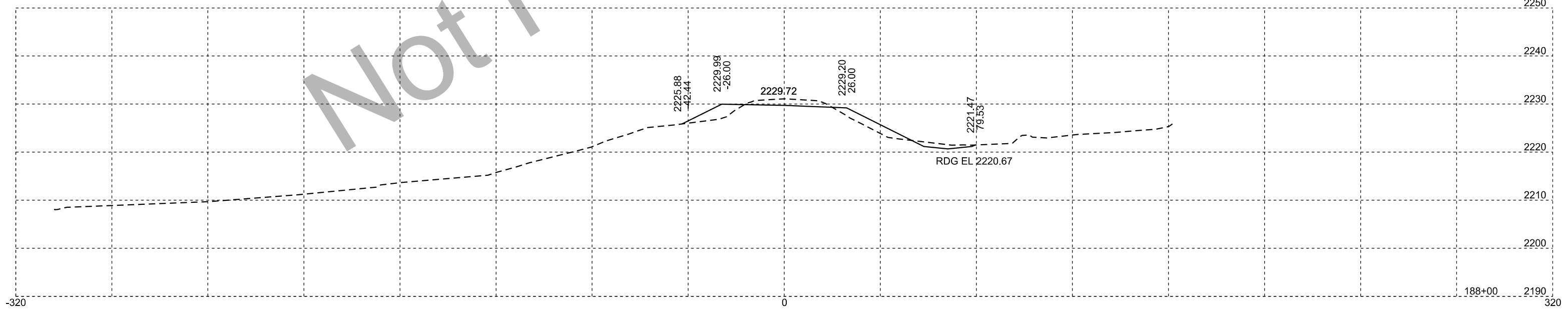
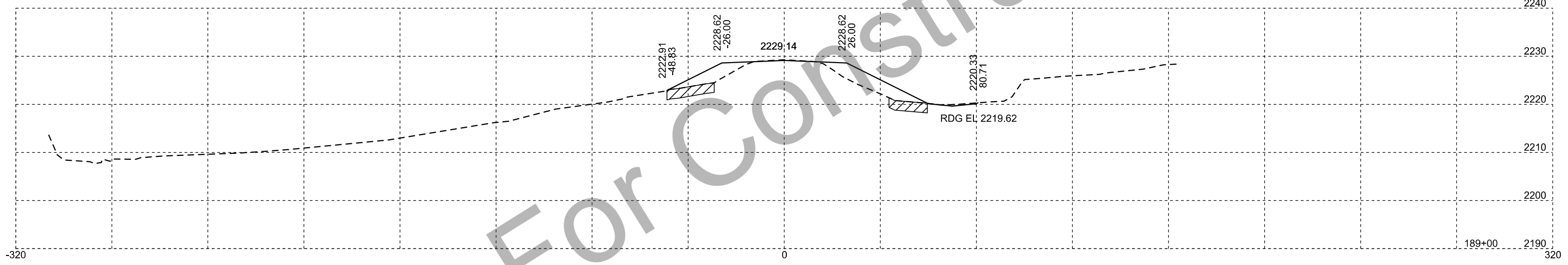
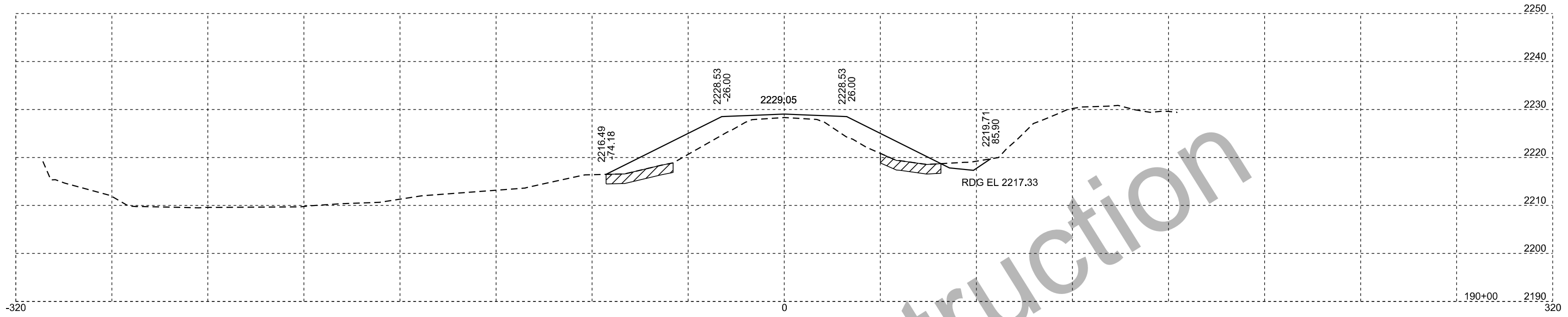


STATE OF SOUTH DAKOTA	PROJECT	SHEET	TOTAL SHEETS
	NH 0012(206)112	X112	X185



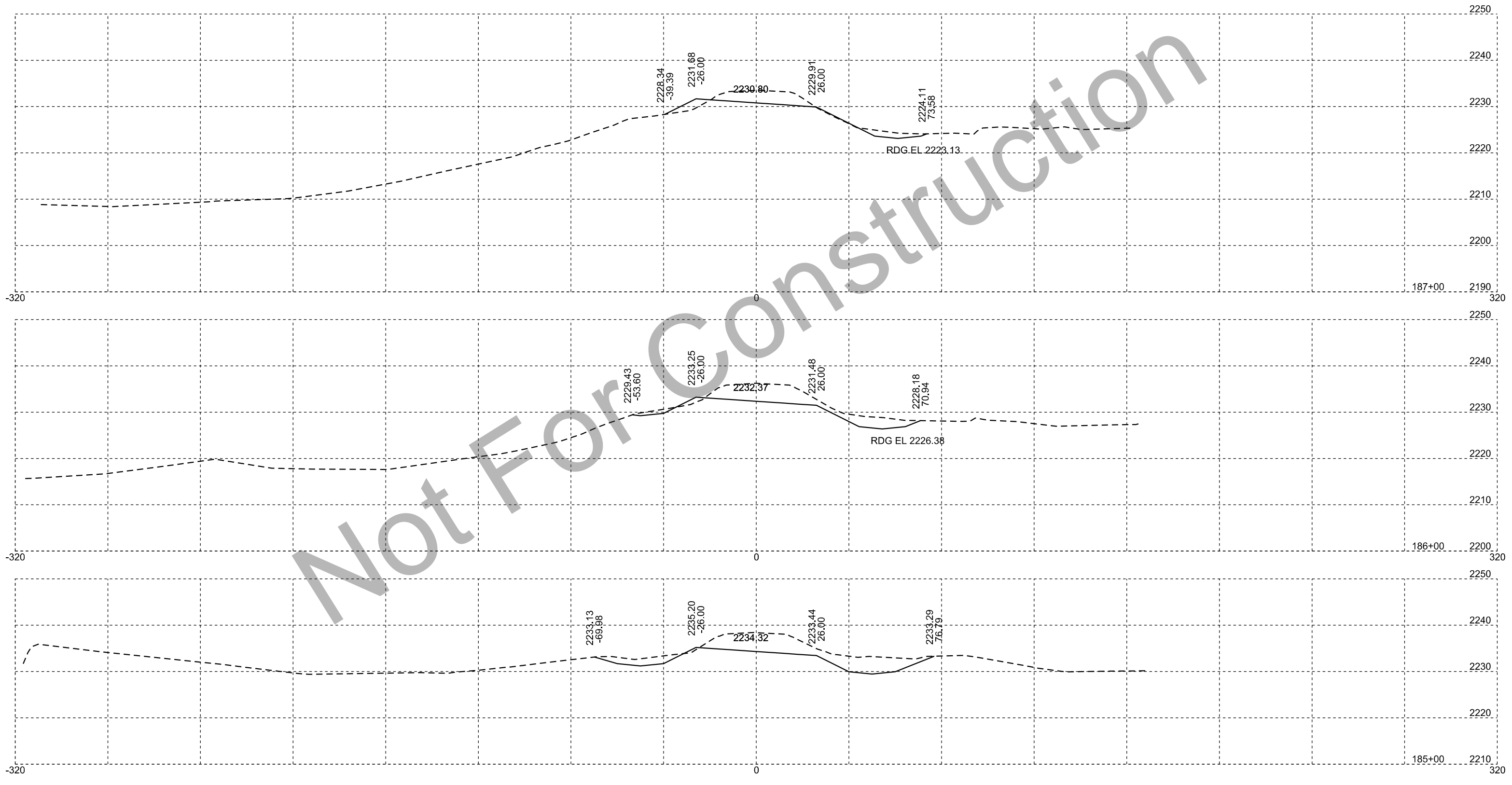


STATE OF SOUTH DAKOTA	PROJECT	SHEET	TOTAL SHEETS
	NH 0012(206)112	X113	X185

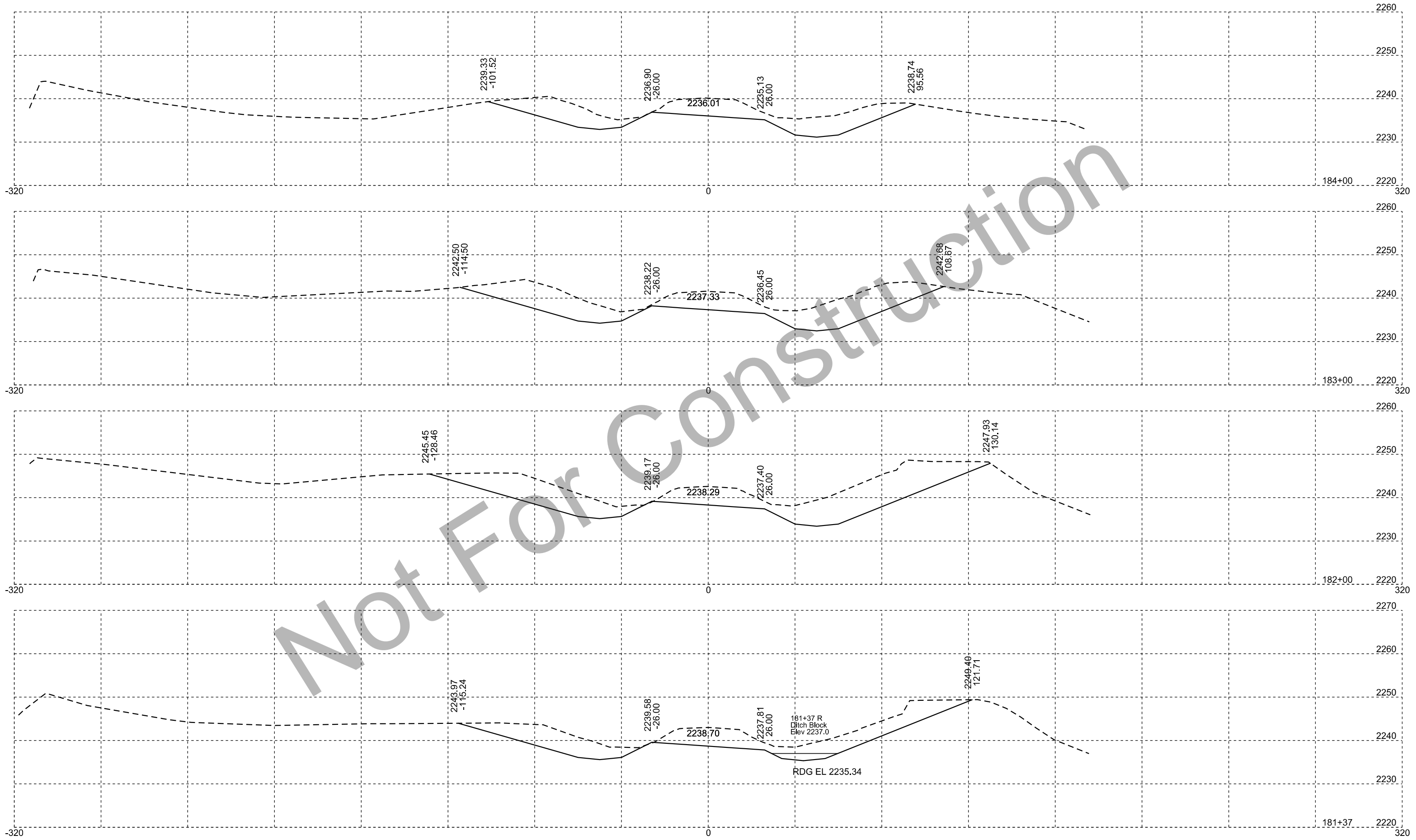


Not For Construction

STATE OF SOUTH DAKOTA	PROJECT	SHEET	TOTAL SHEETS
	NH 0012(206)112	X114	X185

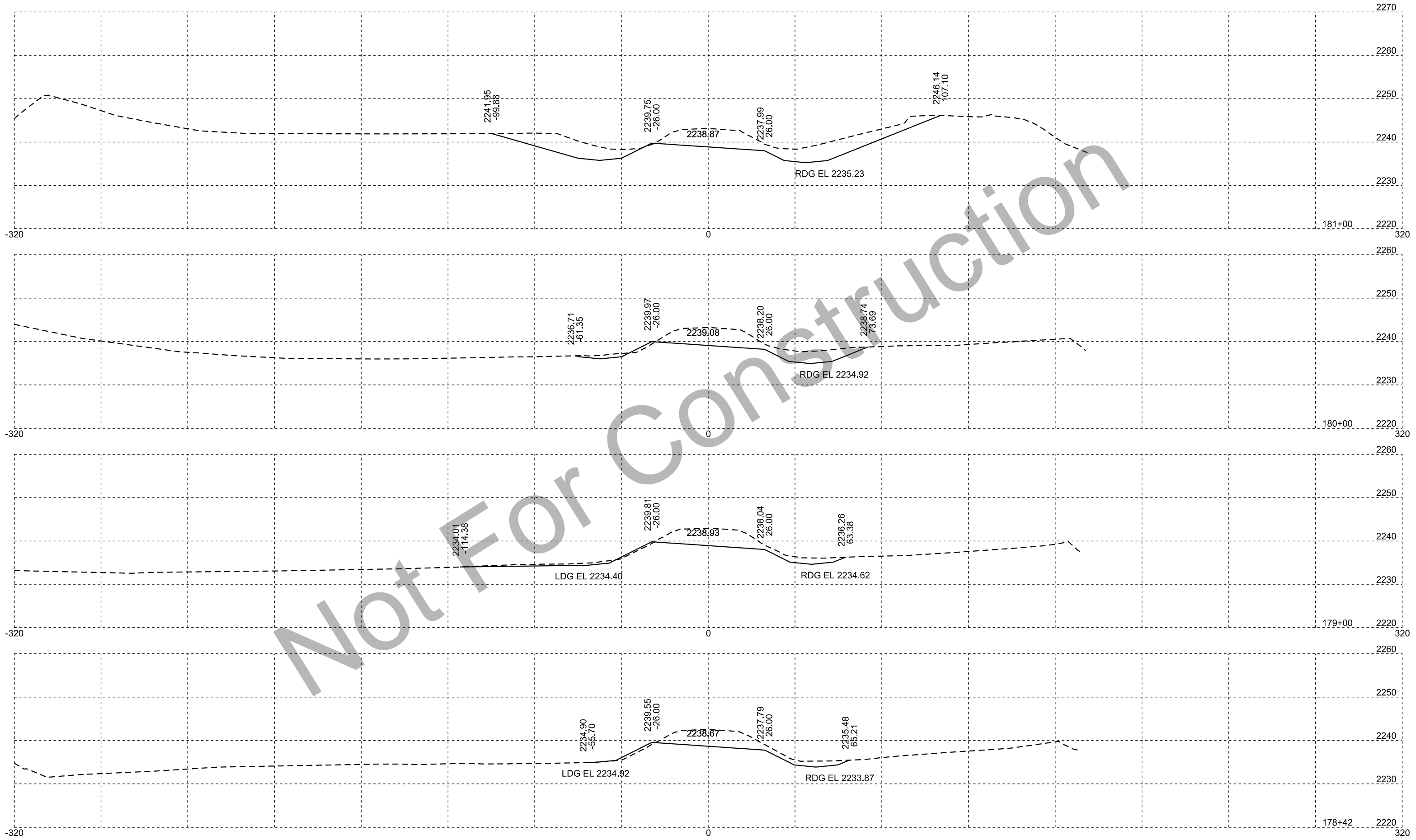


STATE OF SOUTH DAKOTA	PROJECT	SHEET	TOTAL SHEETS
	NH 0012(206)112	X115	X185



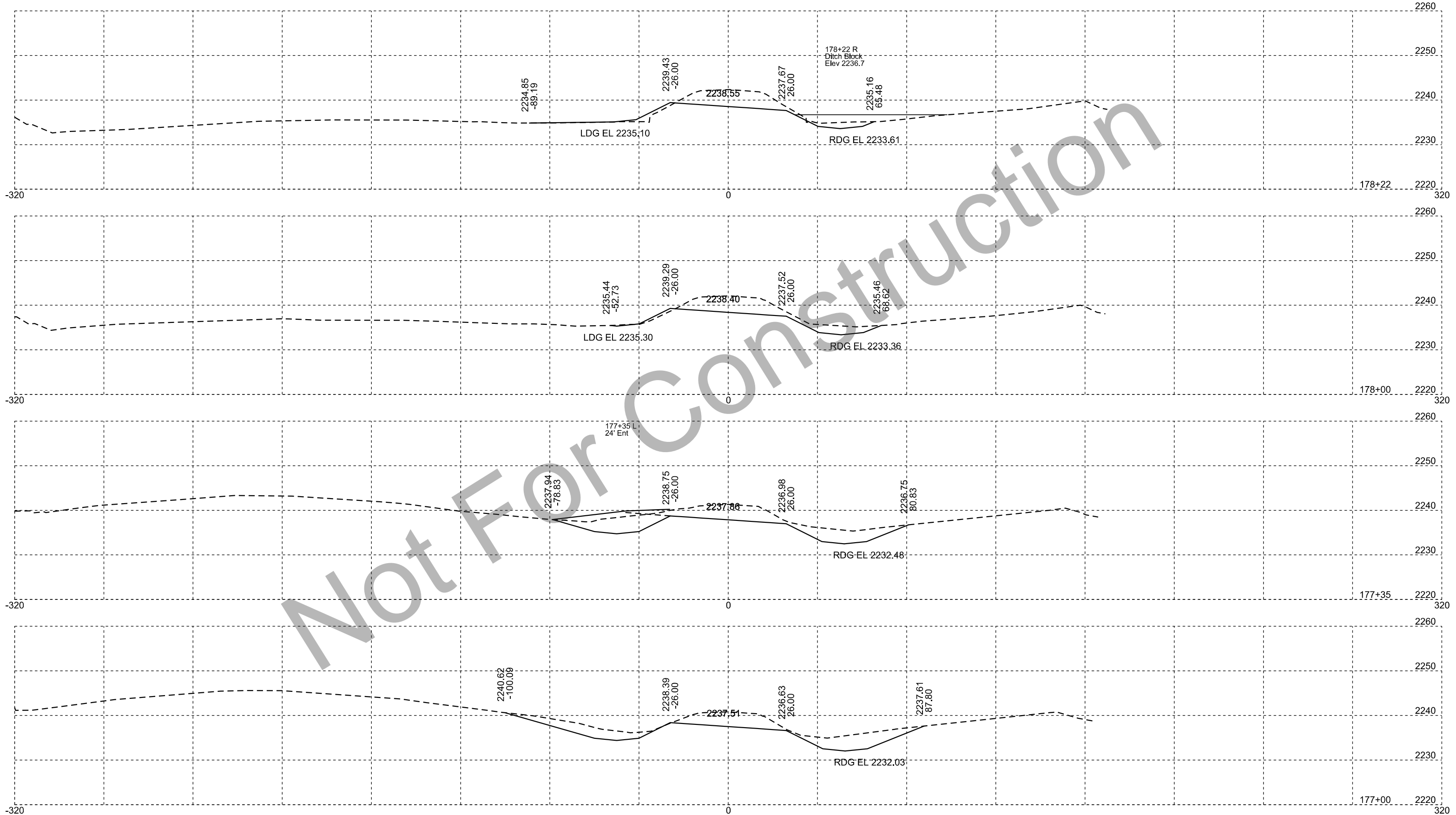
Not For Construction

STATE OF SOUTH DAKOTA	PROJECT	SHEET	TOTAL SHEETS
	NH 0012(206)112	X116	X185



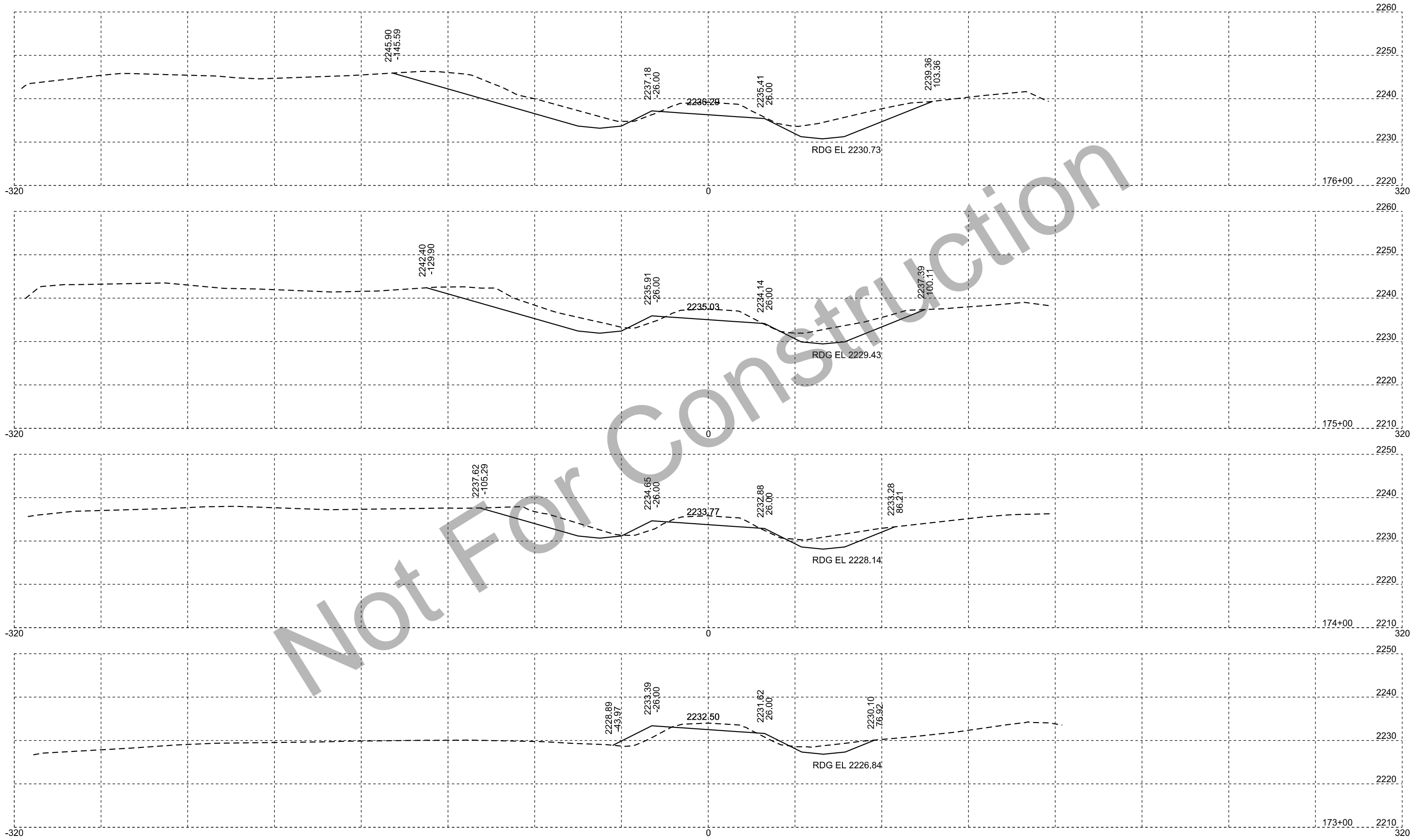
Not For Construction

STATE OF SOUTH DAKOTA	PROJECT	SHEET	TOTAL SHEETS
	NH 0012(206)112	X117	X185



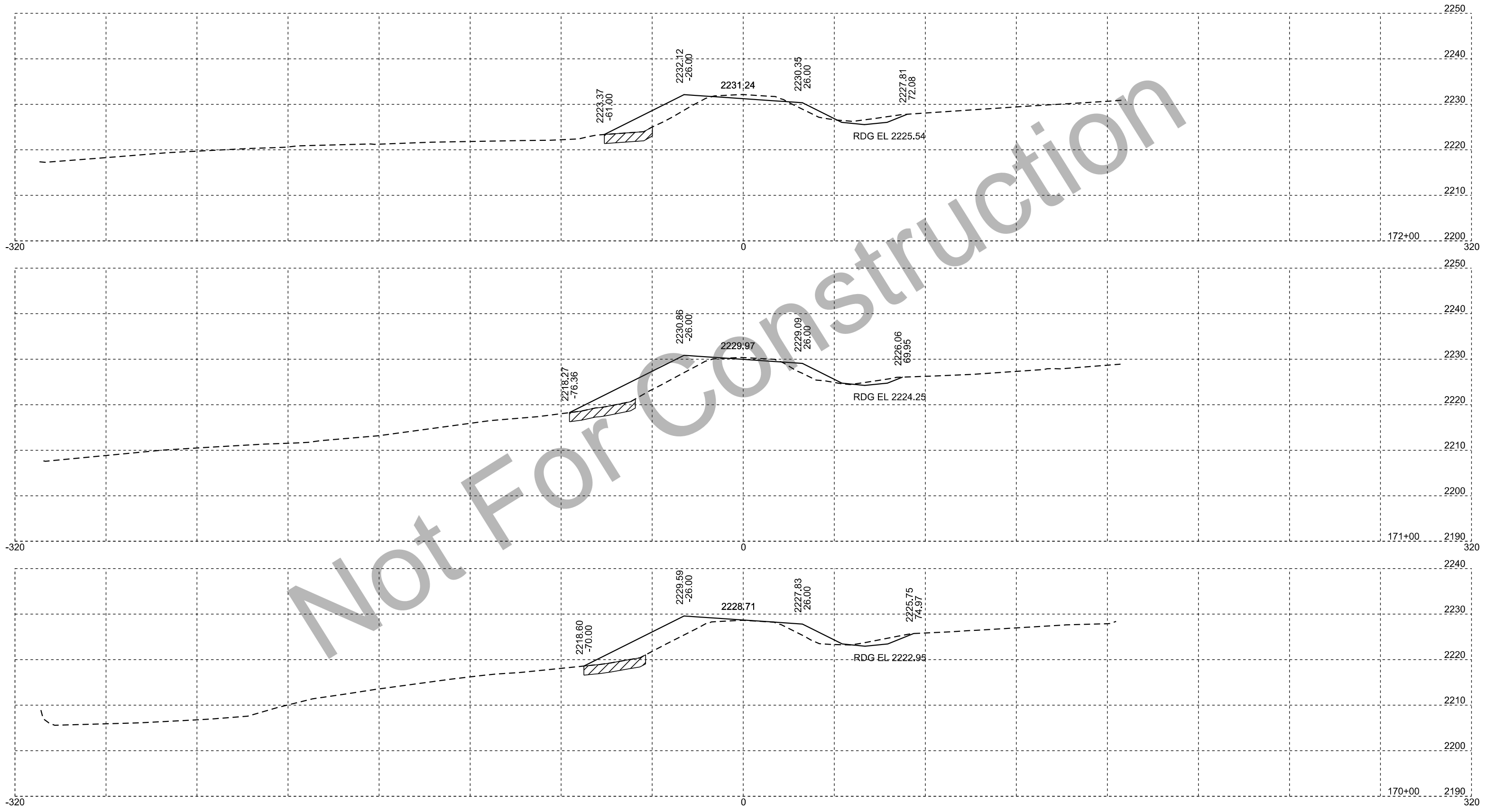
Not For Construction

STATE OF SOUTH DAKOTA	PROJECT	SHEET	TOTAL SHEETS
	NH 0012(206)112	X118	X185



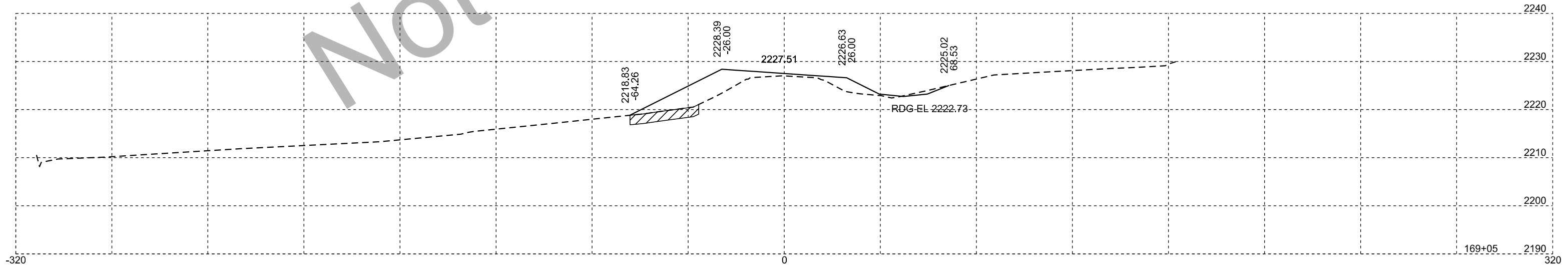
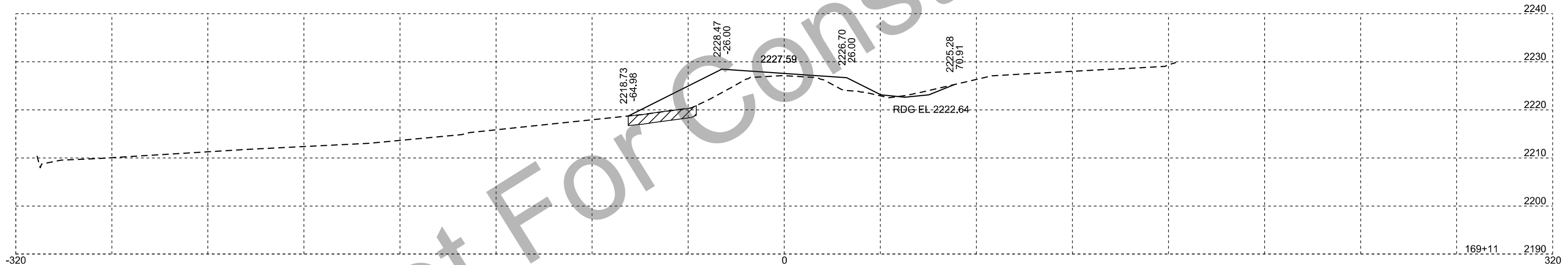
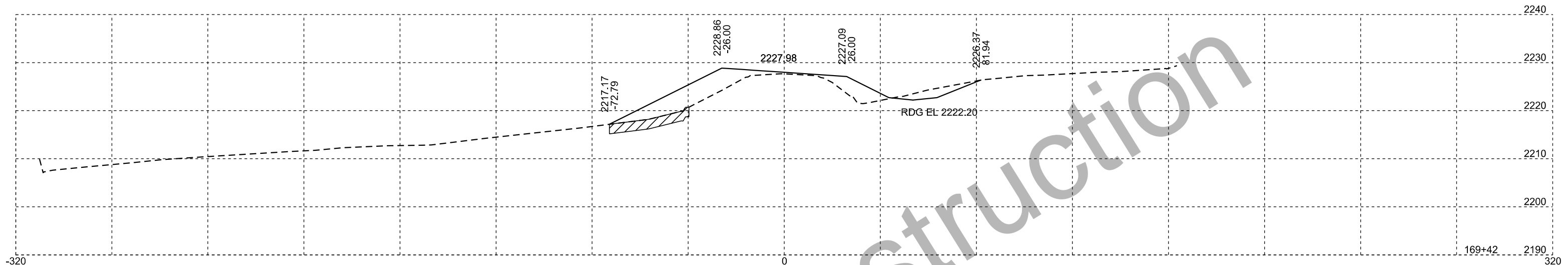
Not For Construction

STATE OF SOUTH DAKOTA	PROJECT	SHEET	TOTAL SHEETS
	NH 0012(206)112	X119	X185



Not For Construction

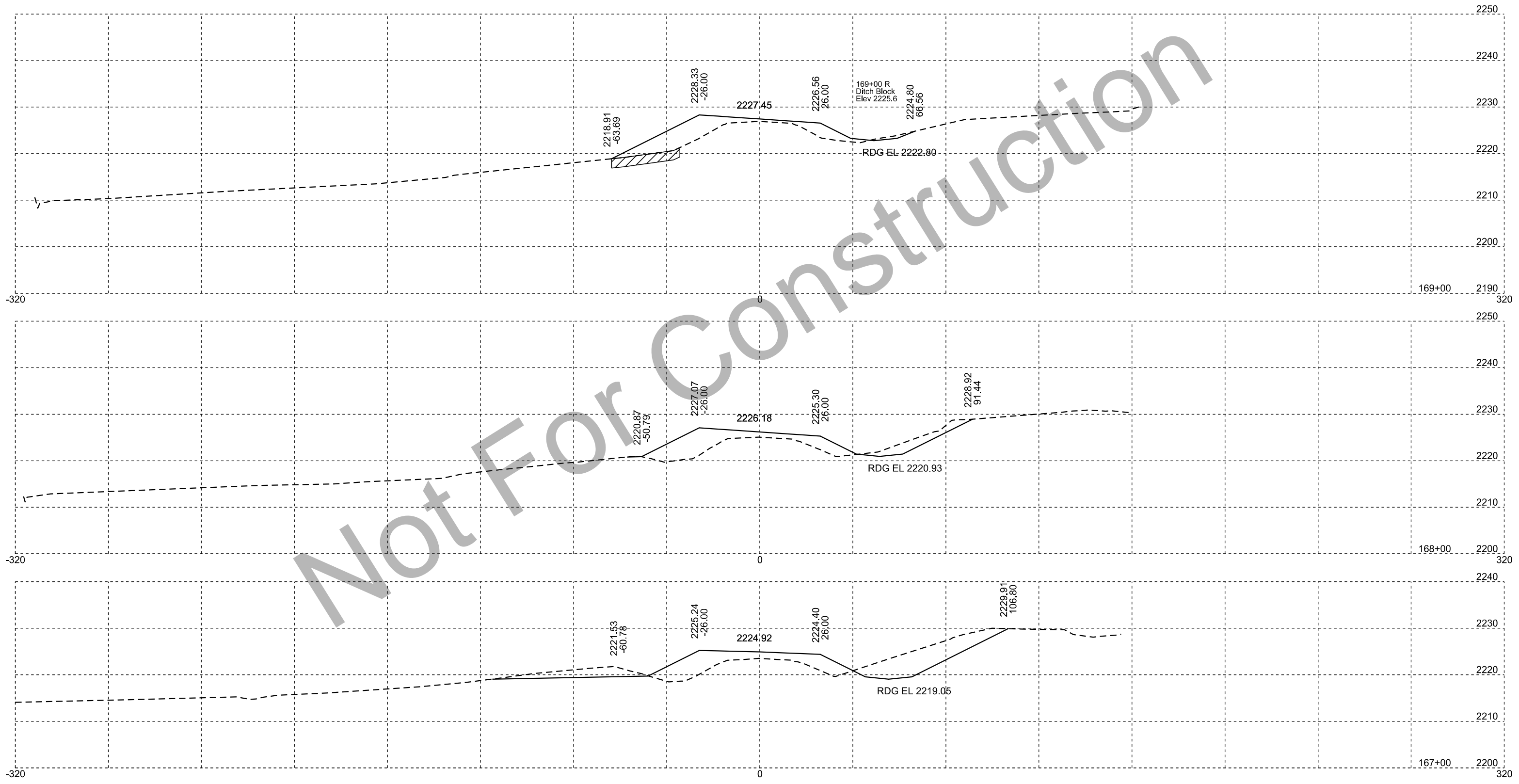
STATE OF SOUTH DAKOTA	PROJECT	SHEET	TOTAL SHEETS
	NH 0012(206)112	X120	X185



Not For Construction

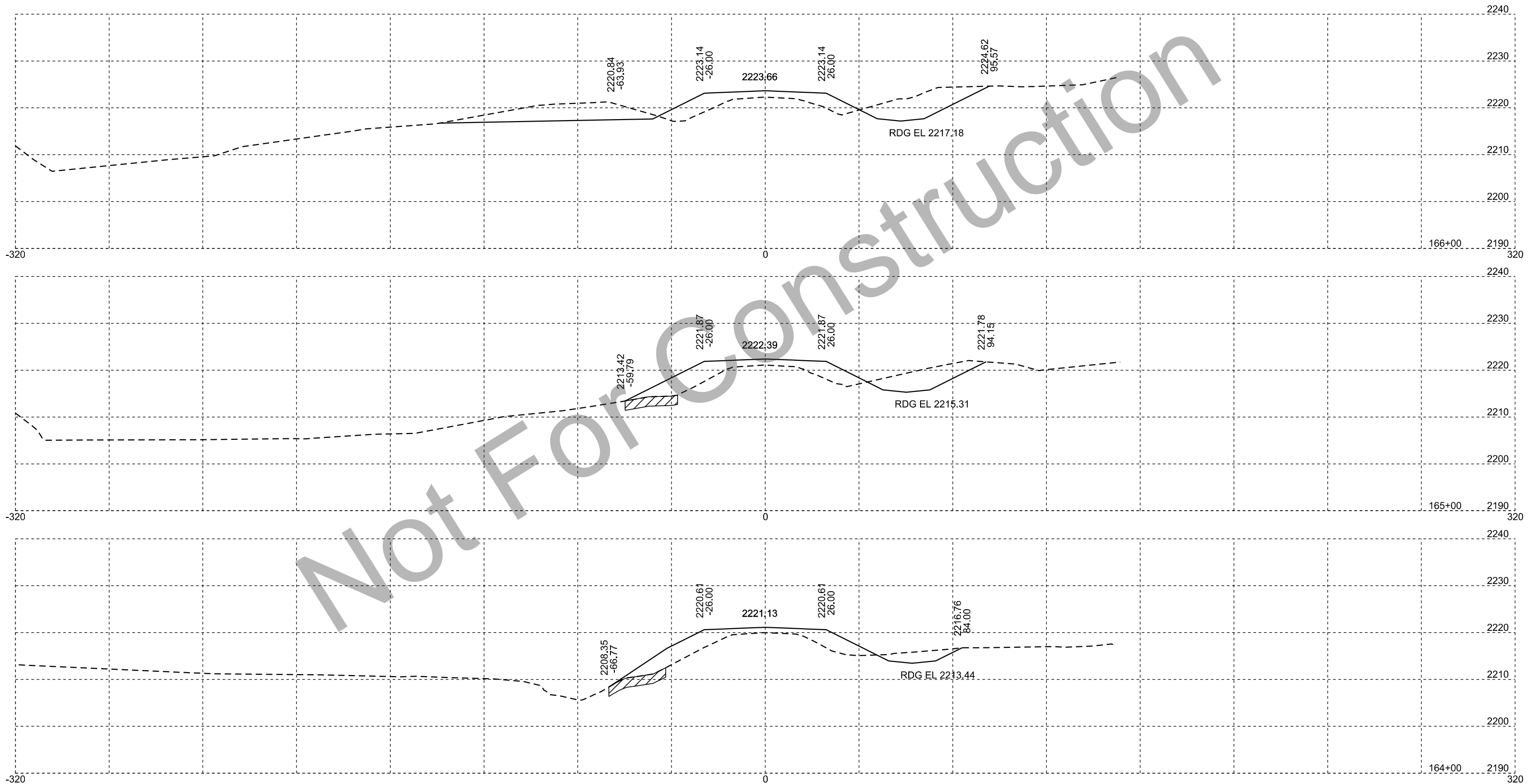


STATE OF SOUTH DAKOTA	PROJECT	SHEET	TOTAL SHEETS
	NH 0012(206)112	X121	X185



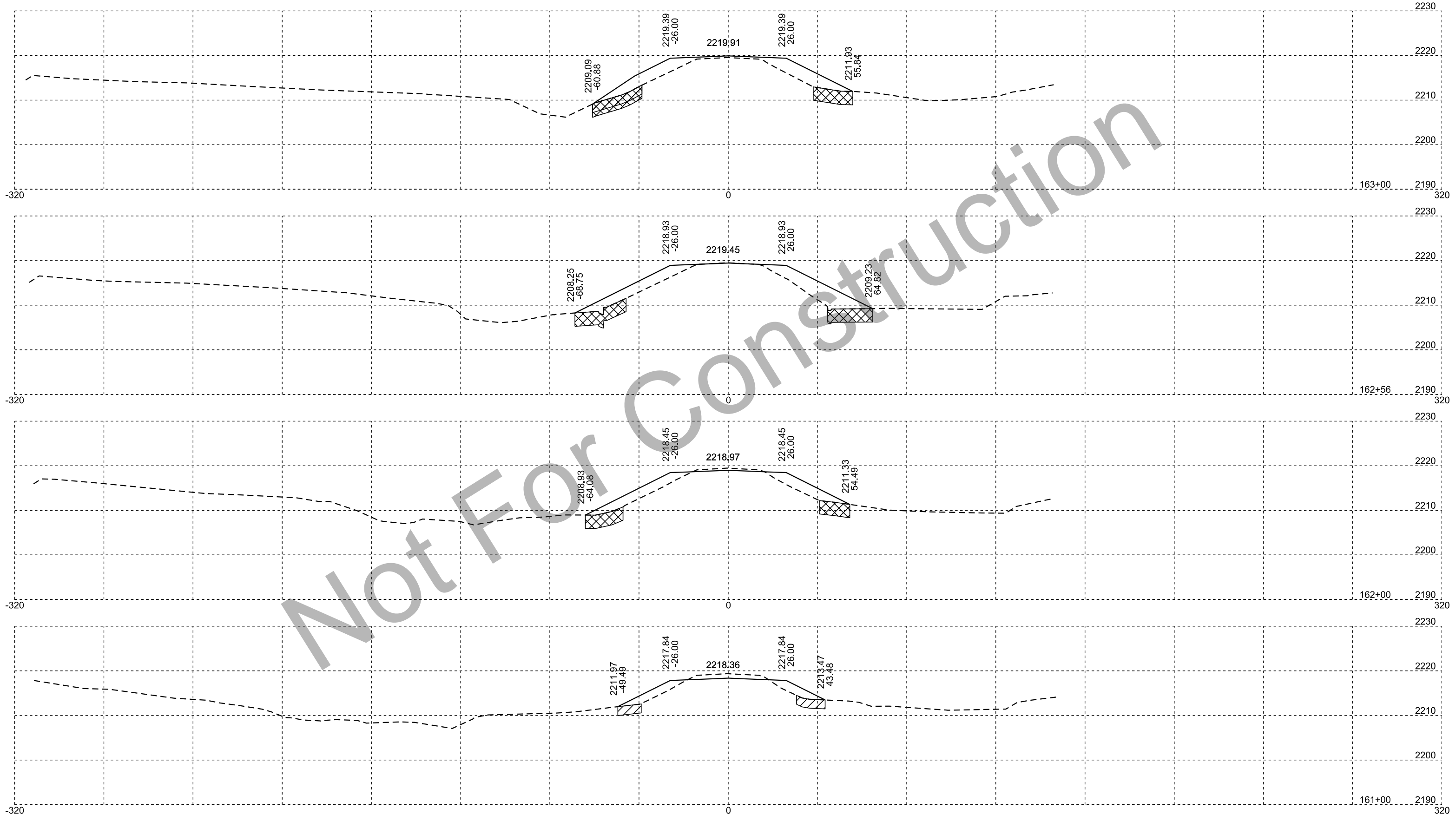
Not For Construction

STATE OF SOUTH DAKOTA	PROJECT	SHEET	TOTAL SHEETS
	NH 0012(206)112	X122	X185



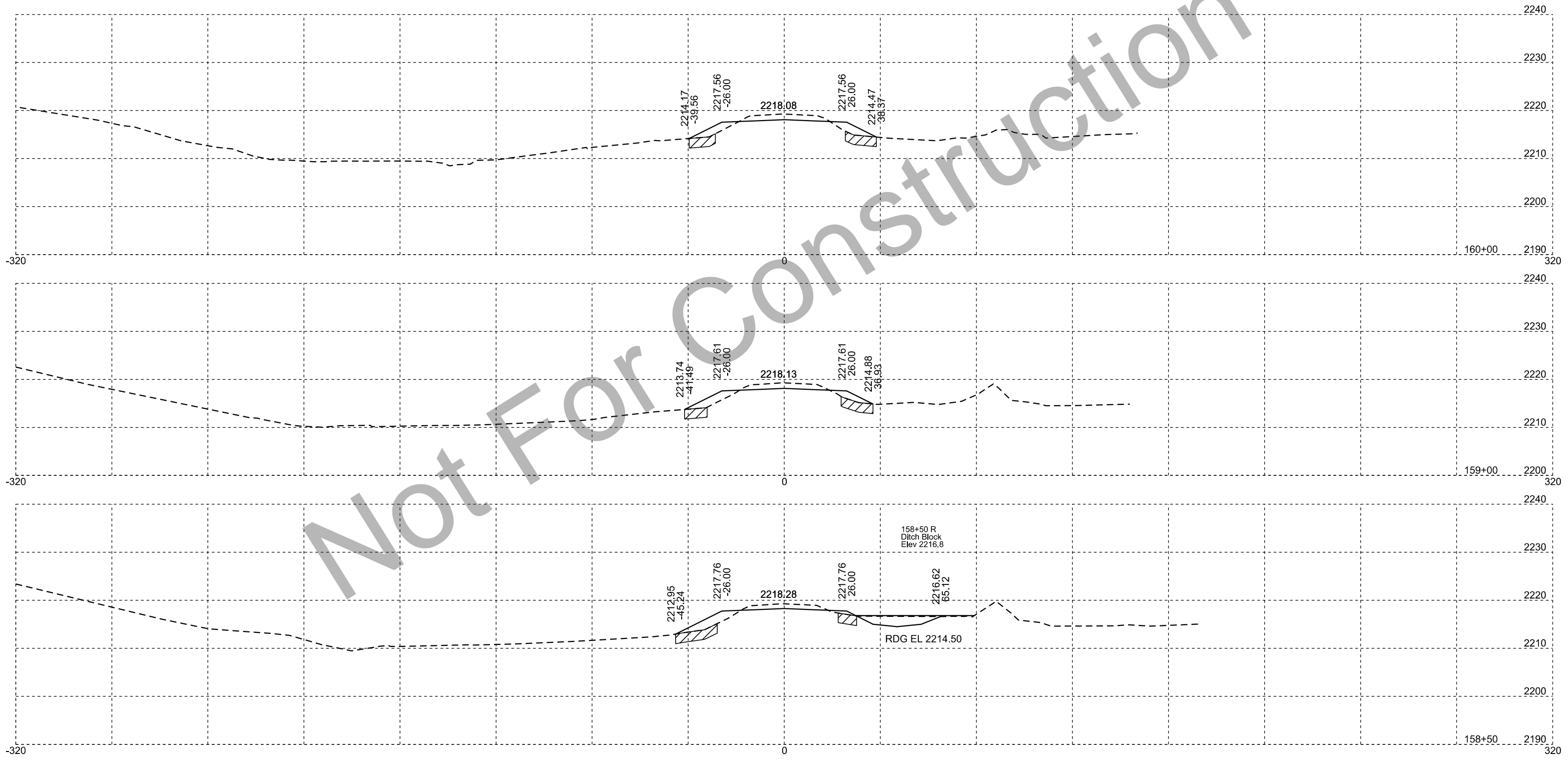
Not For Construction

STATE OF SOUTH DAKOTA	PROJECT	SHEET	TOTAL SHEETS
	NH 0012(206)112	X123	X185



Not For Construction

STATE OF SOUTH DAKOTA	PROJECT	SHEET	TOTAL SHEETS
	NH 0012(206)112	X124	X185

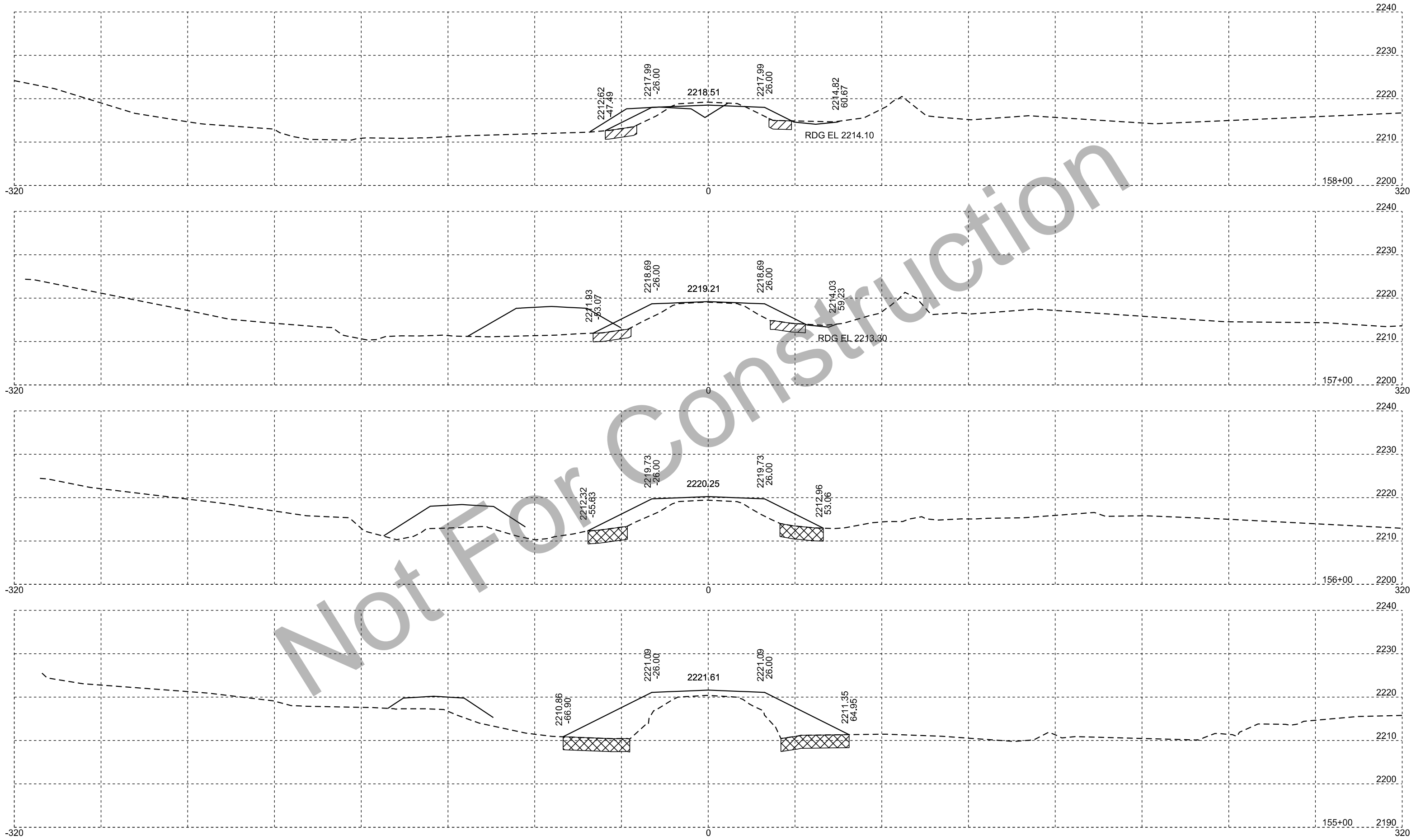


Not For Construction

158+50 R  
Ditch Block  
Elev 2216.8

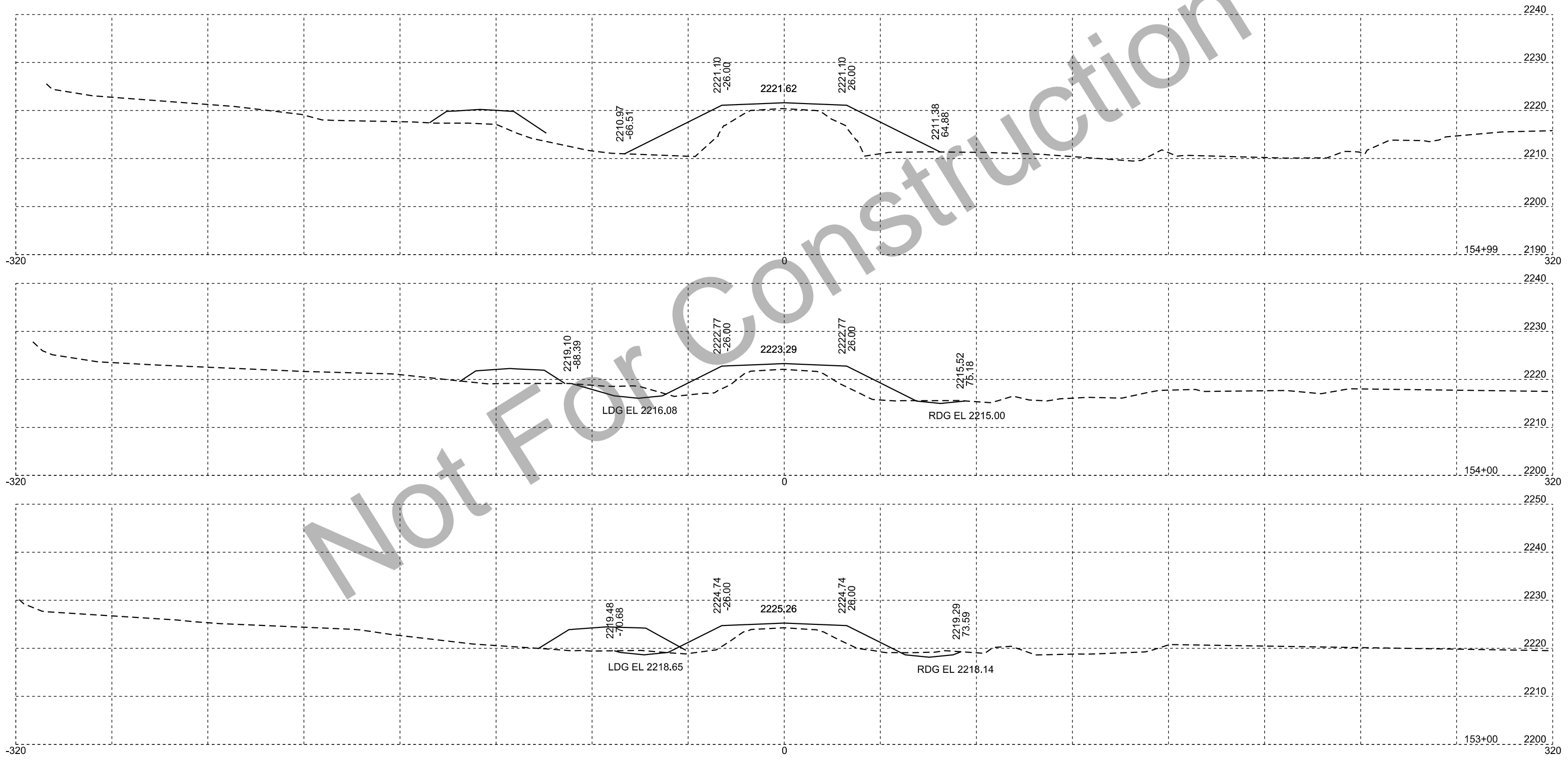
RDG EL 2214.50

STATE OF SOUTH DAKOTA	PROJECT	SHEET	TOTAL SHEETS
	NH 0012(206)112	X125	X185

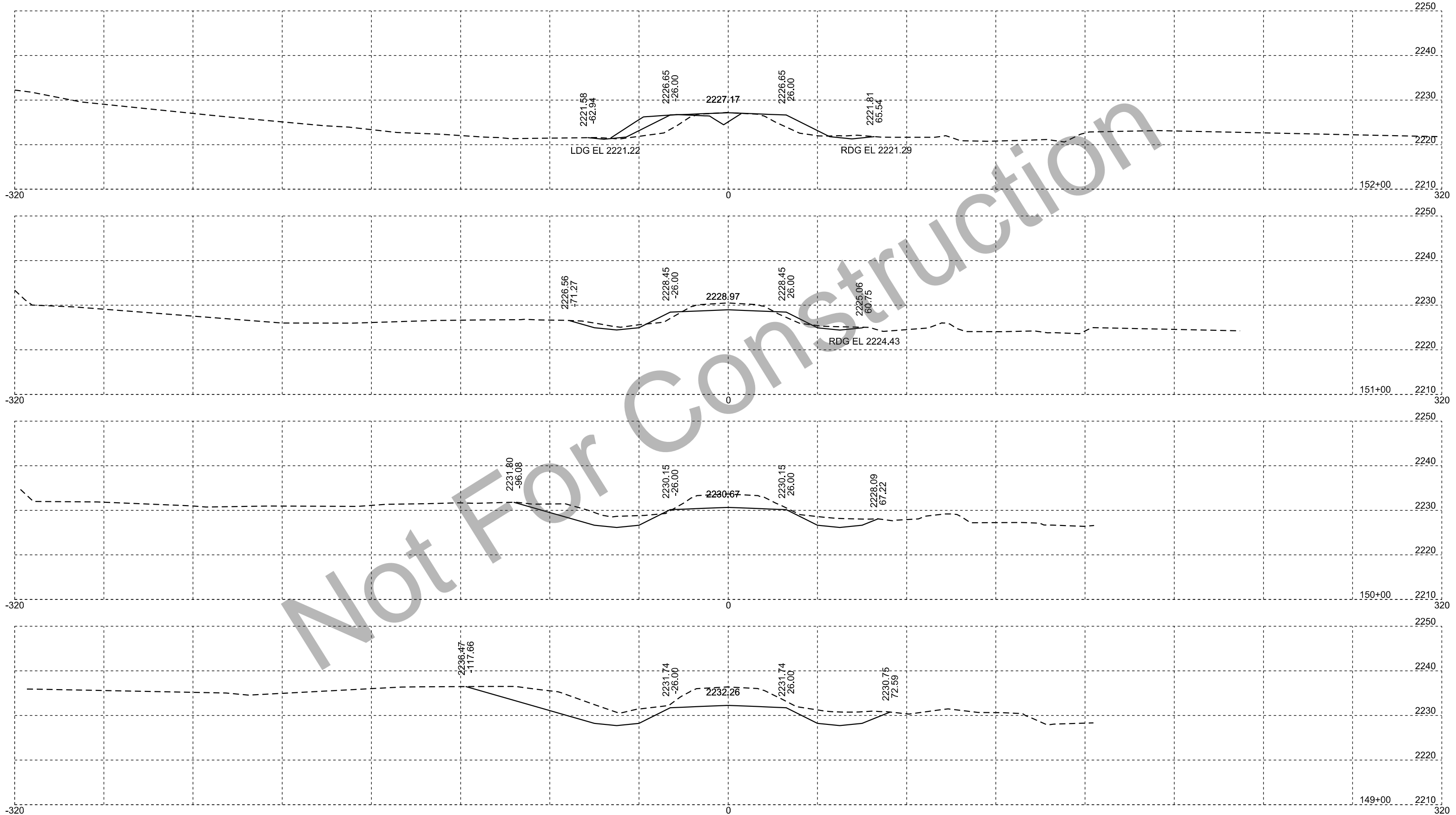


Not For Construction

STATE OF SOUTH DAKOTA	PROJECT	SHEET	TOTAL SHEETS
	NH 0012(206)112	X126	X185

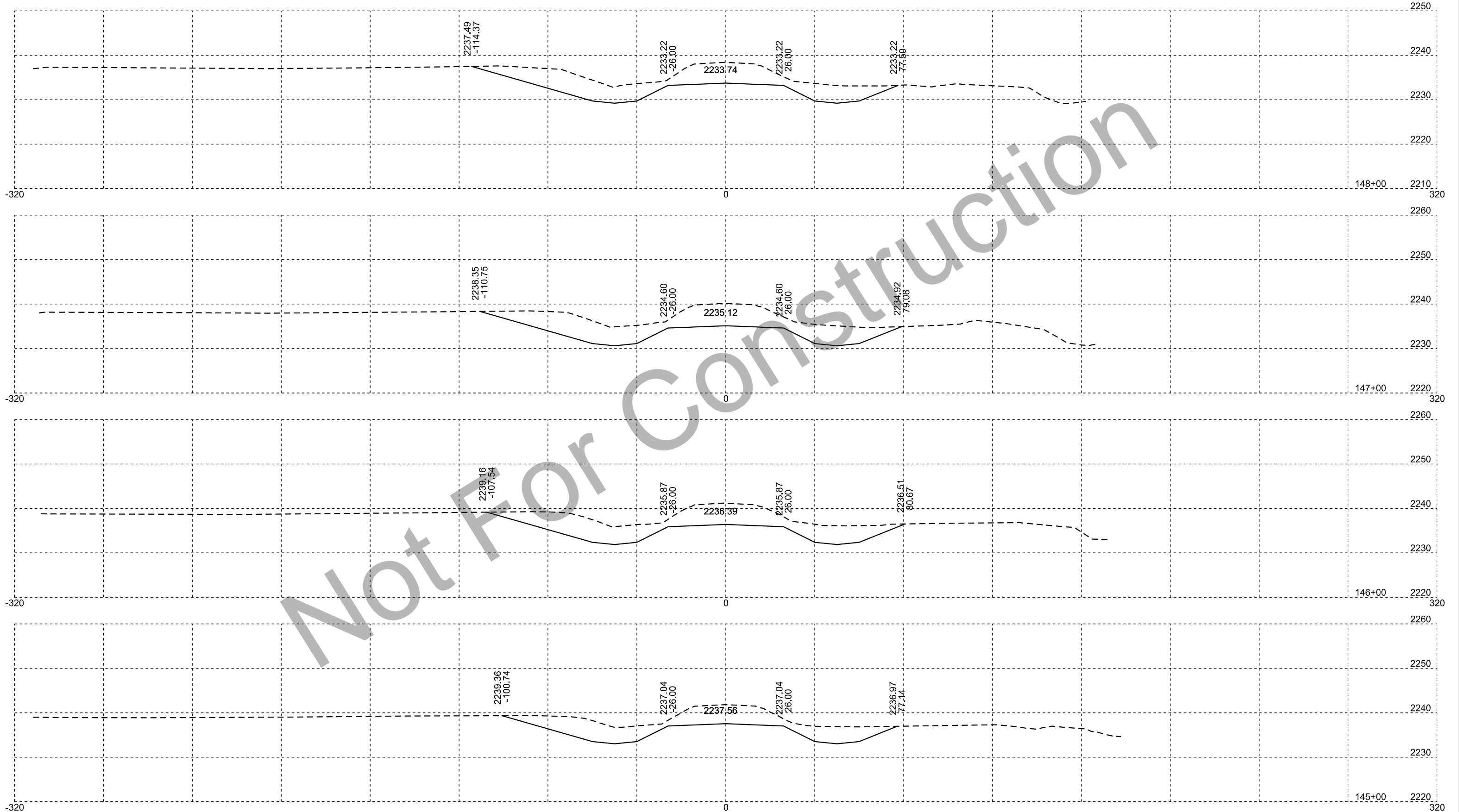


STATE OF SOUTH DAKOTA	PROJECT	SHEET	TOTAL SHEETS
	NH 0012(206)112	X127	X185



Not For Construction

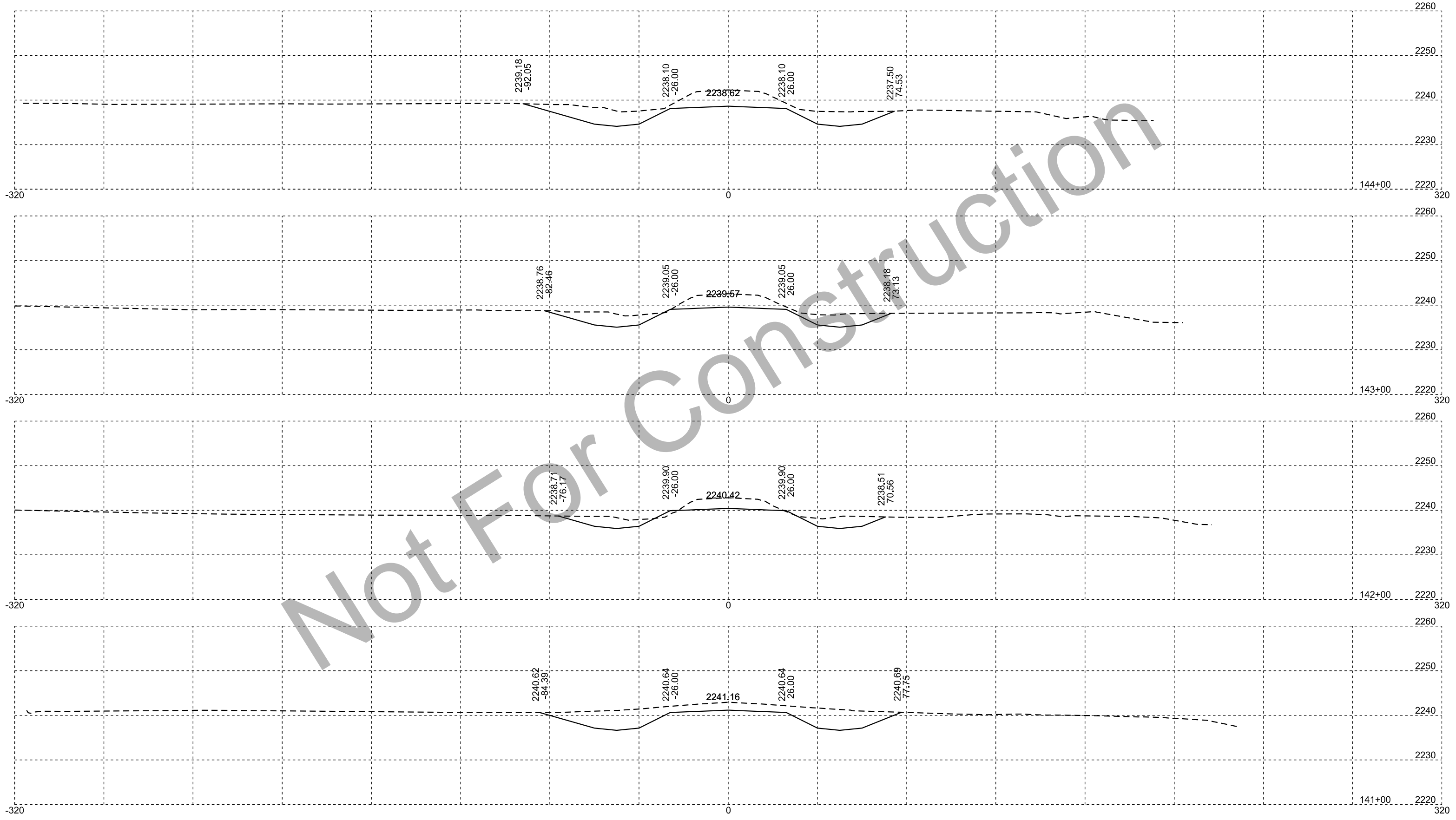
STATE OF SOUTH DAKOTA	PROJECT	SHEET	TOTAL SHEETS
	NH 0012(206)112	X128	X185



Not For Construction

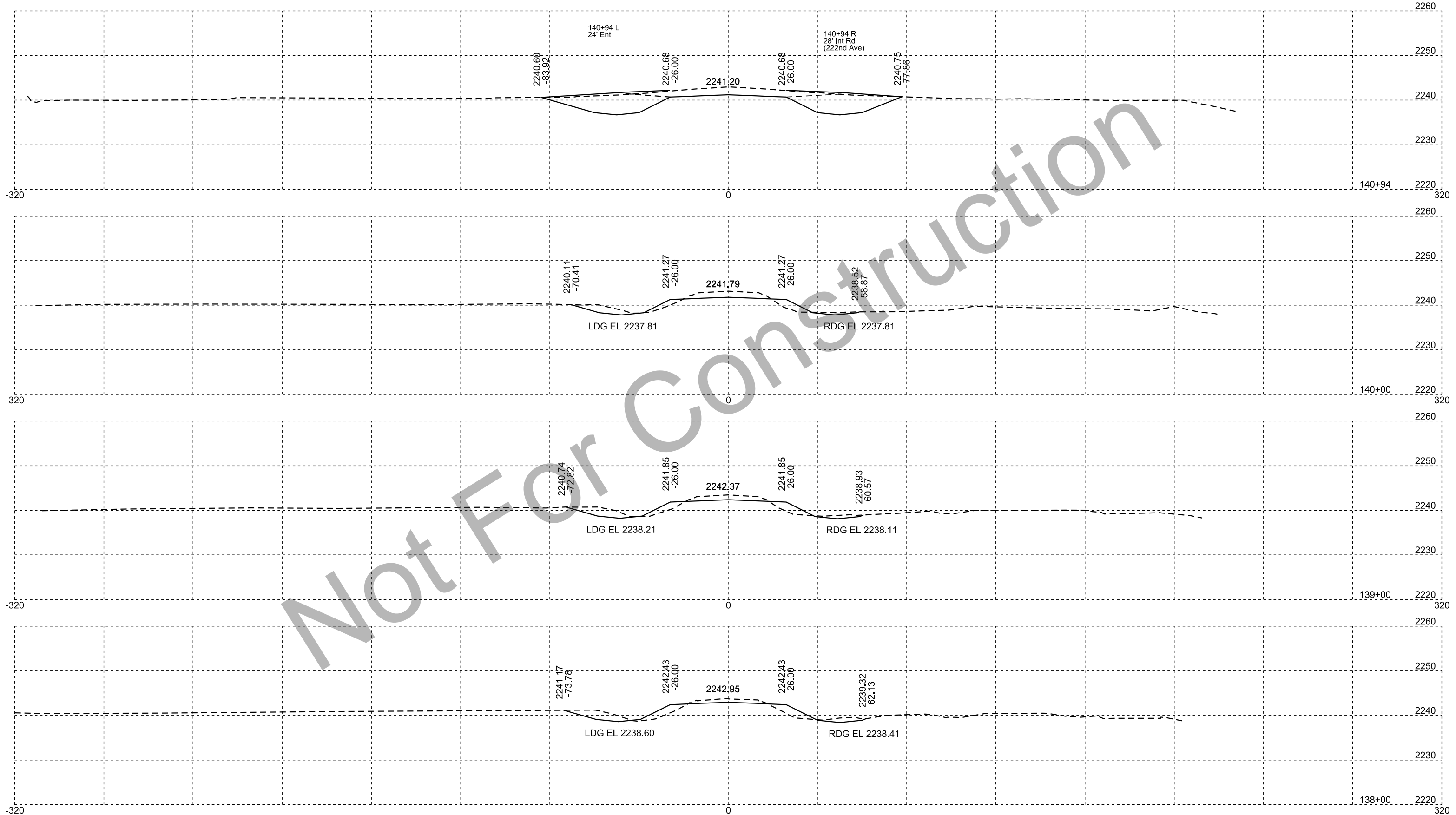


STATE OF SOUTH DAKOTA	PROJECT	SHEET	TOTAL SHEETS
	NH 0012(206)112	X129	X185



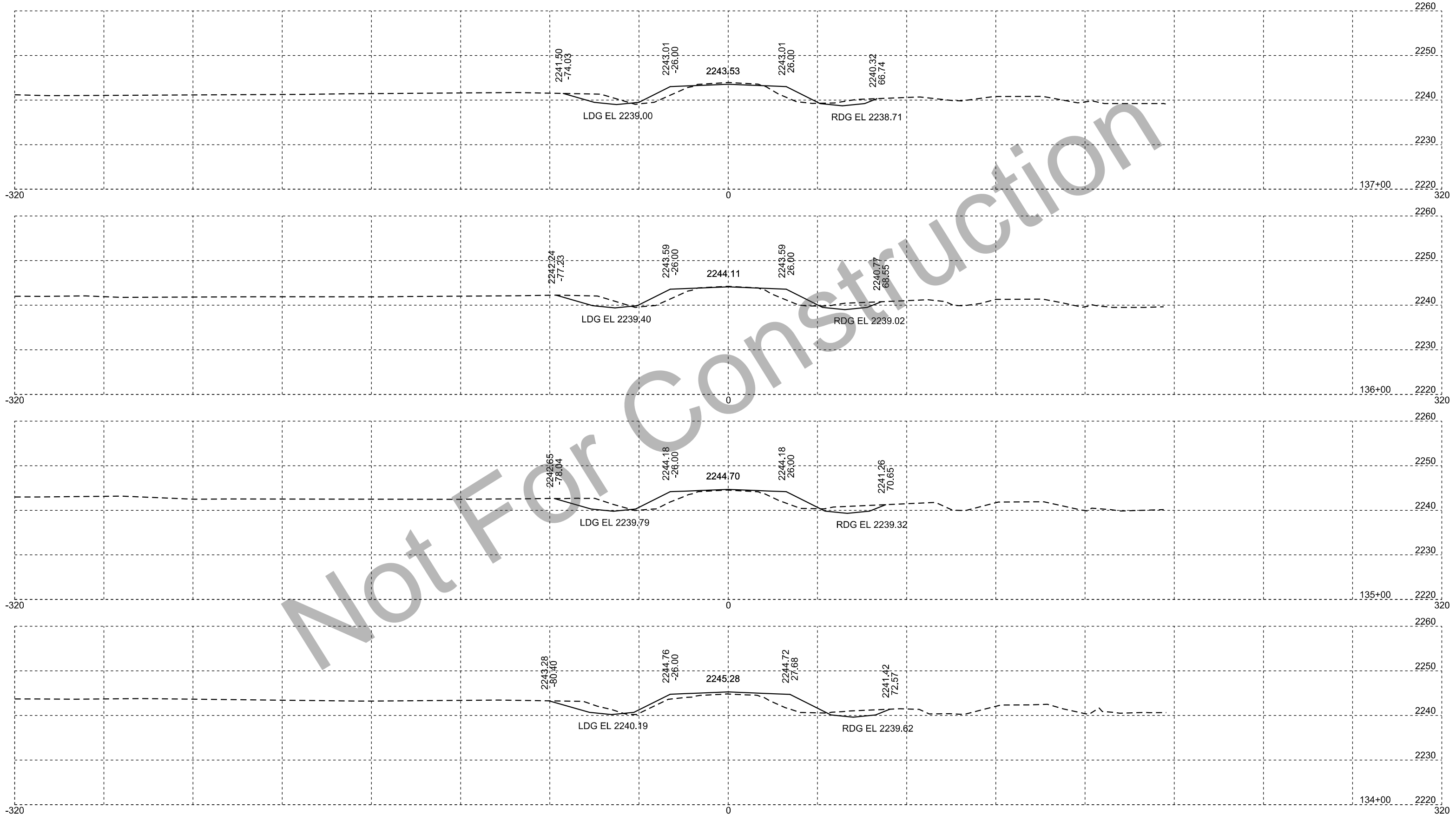
Not For Construction

STATE OF SOUTH DAKOTA	PROJECT	SHEET	TOTAL SHEETS
	NH 0012(206)112	X130	X185



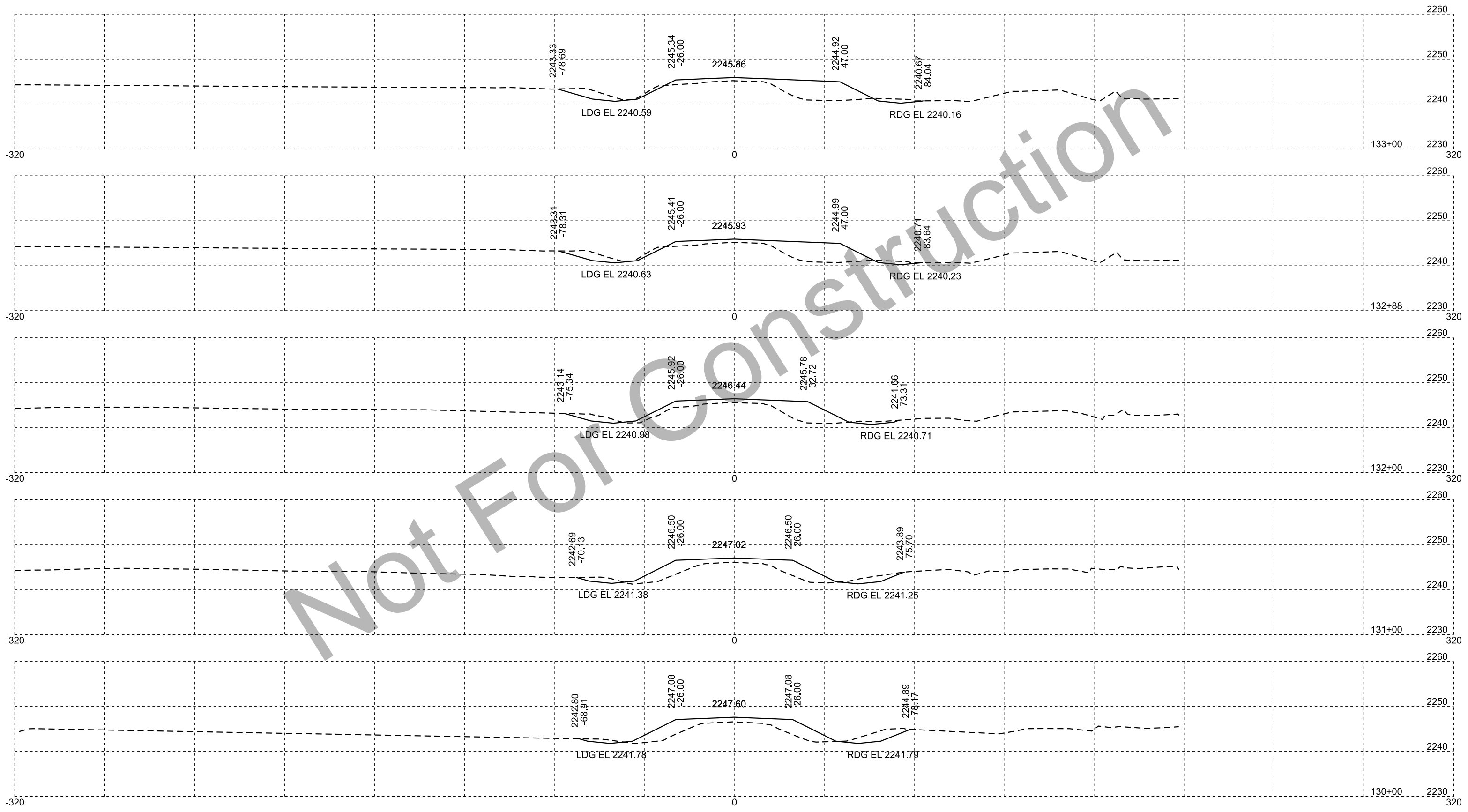
Not For Construction

STATE OF SOUTH DAKOTA	PROJECT	SHEET	TOTAL SHEETS
	NH 0012(206)112	X131	X185

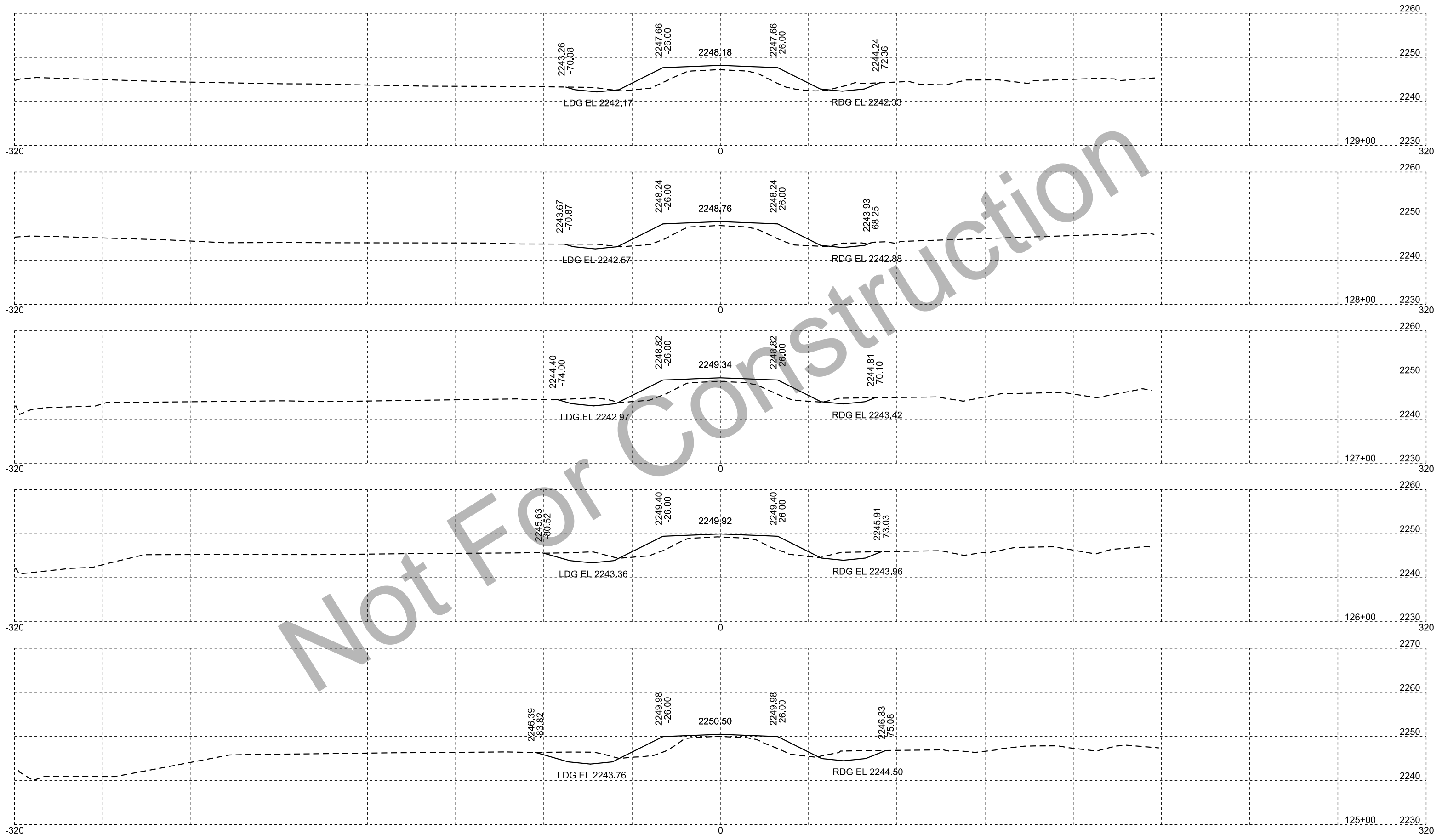


Not For Construction

STATE OF SOUTH DAKOTA	PROJECT	SHEET	TOTAL SHEETS
	NH 0012(206)112	X132	X185

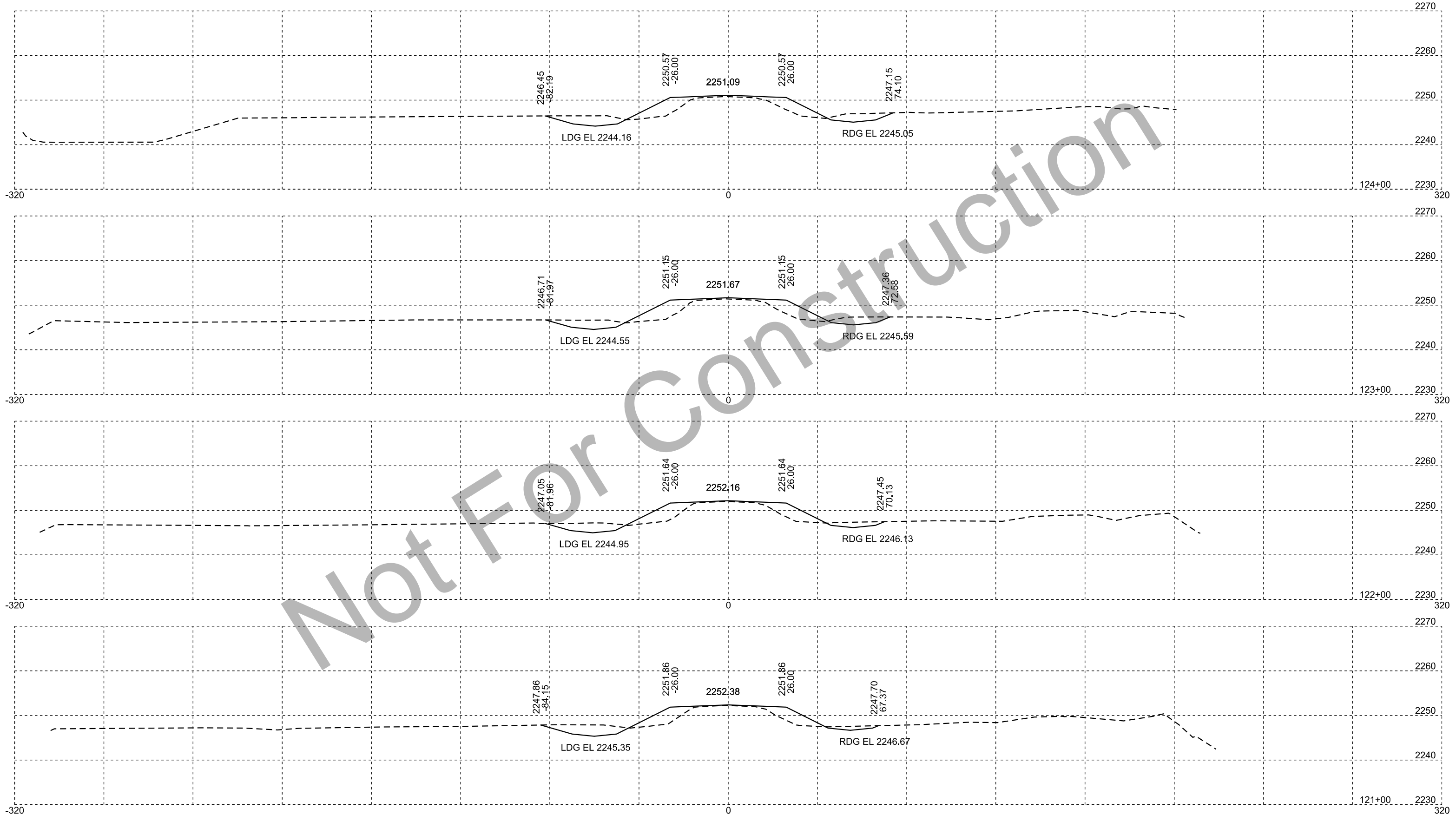


STATE OF SOUTH DAKOTA	PROJECT	SHEET	TOTAL SHEETS
	NH 0012(206)112	X133	X185



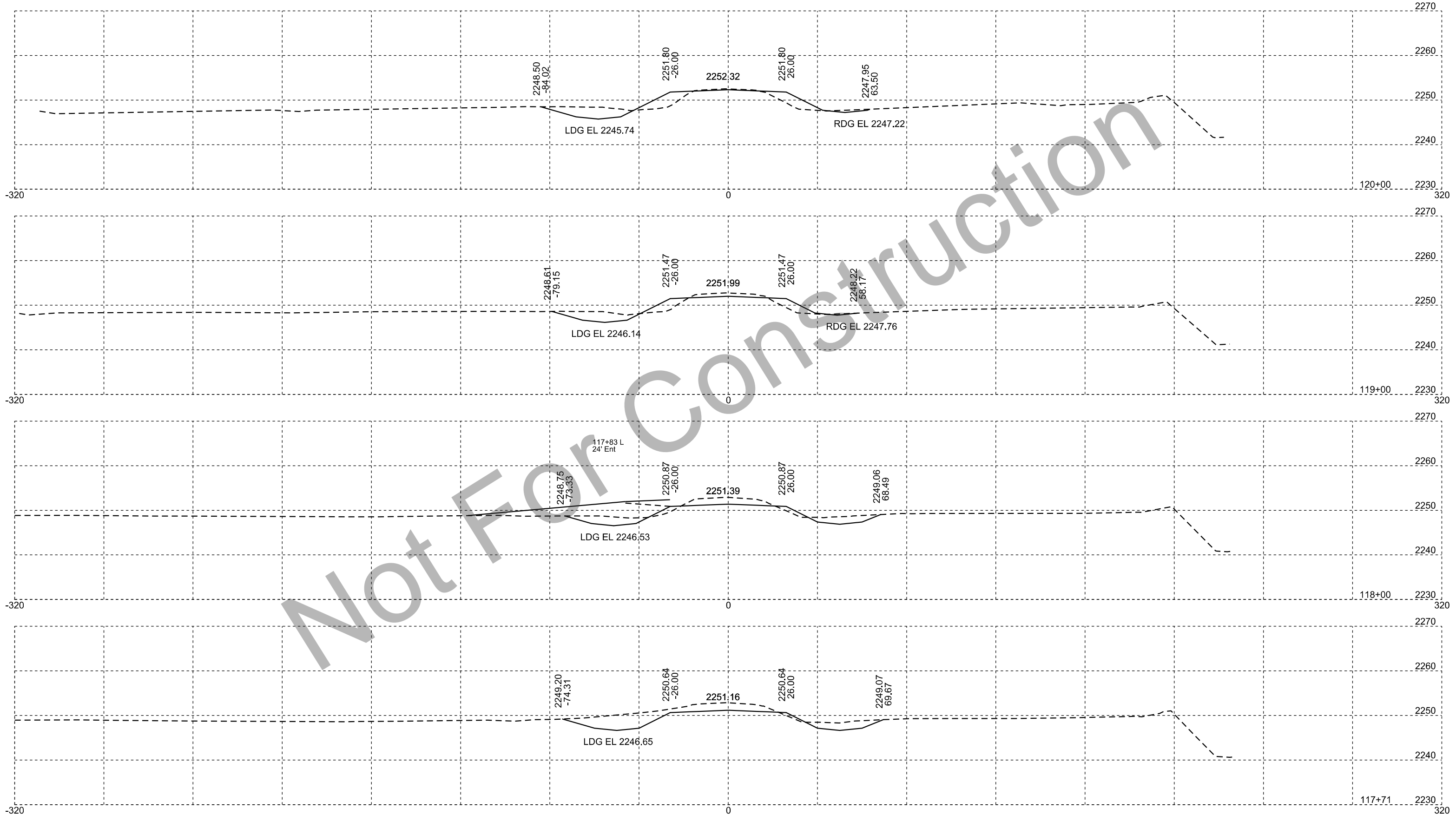
Not For Construction

STATE OF SOUTH DAKOTA	PROJECT	SHEET	TOTAL SHEETS
	NH 0012(206)112	X134	X185



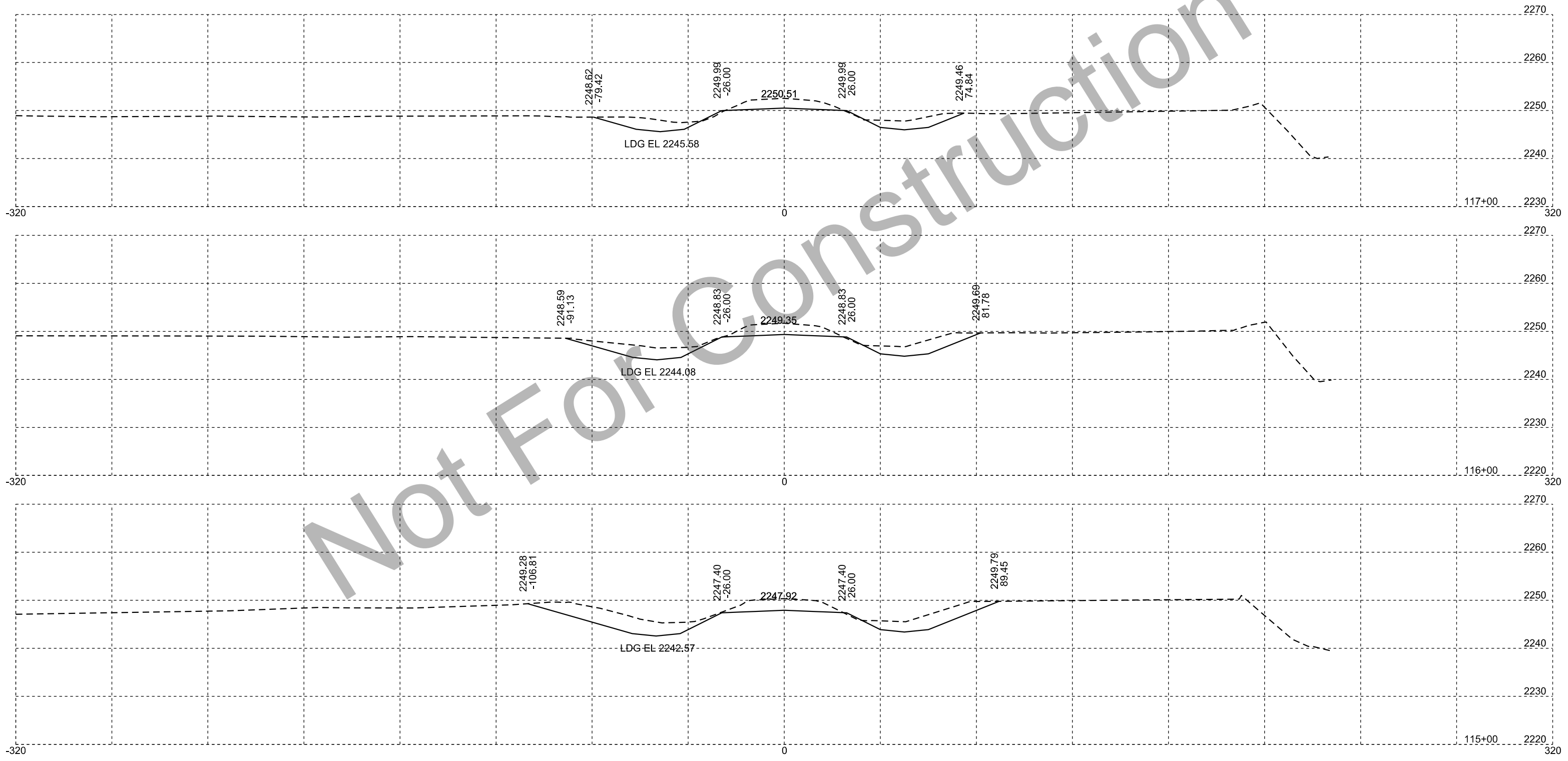
Not For Construction

STATE OF SOUTH DAKOTA	PROJECT	SHEET	TOTAL SHEETS
	NH 0012(206)112	X135	X185



Not For Construction

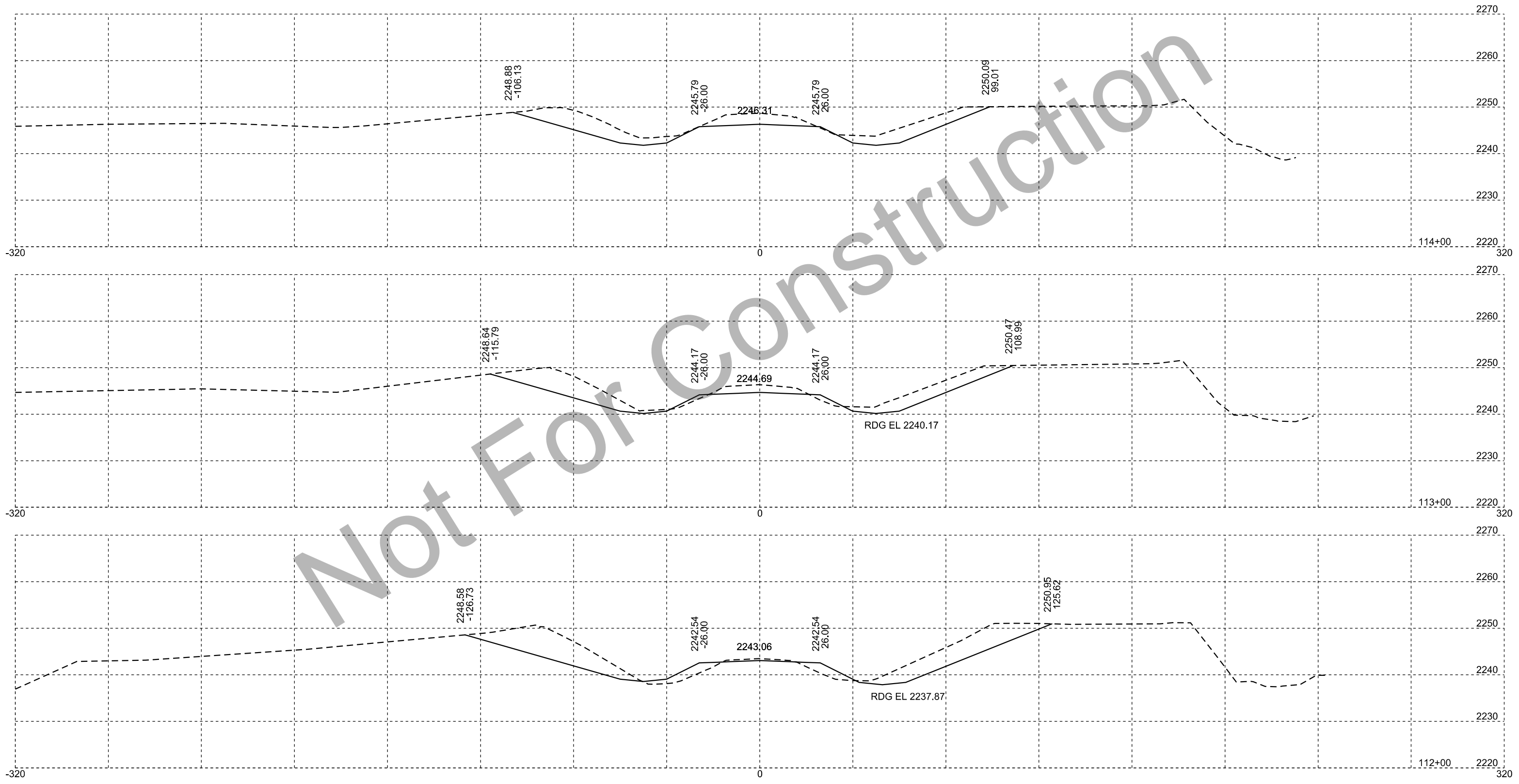
STATE OF SOUTH DAKOTA	PROJECT	SHEET	TOTAL SHEETS
	NH 0012(206)112	X136	X185



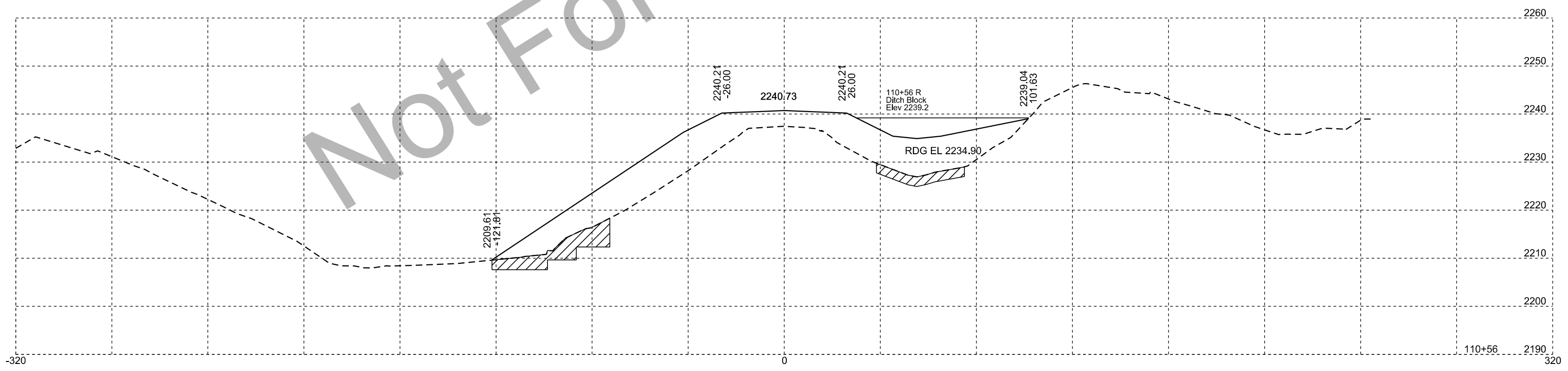
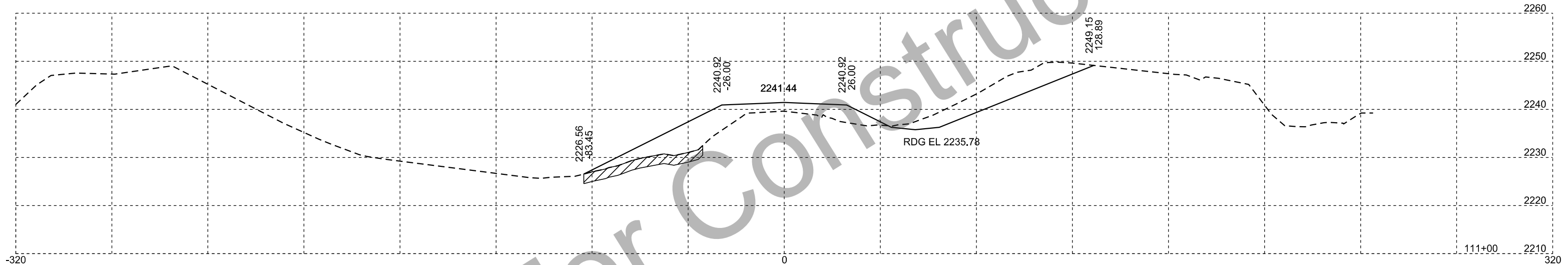
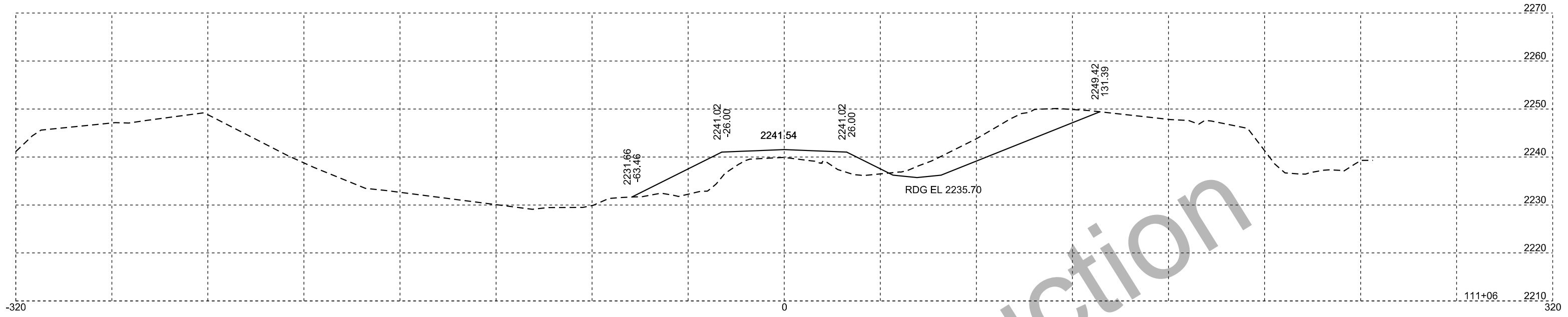
Not For Construction



STATE OF SOUTH DAKOTA	PROJECT	SHEET	TOTAL SHEETS
	NH 0012(206)112	X137	X185

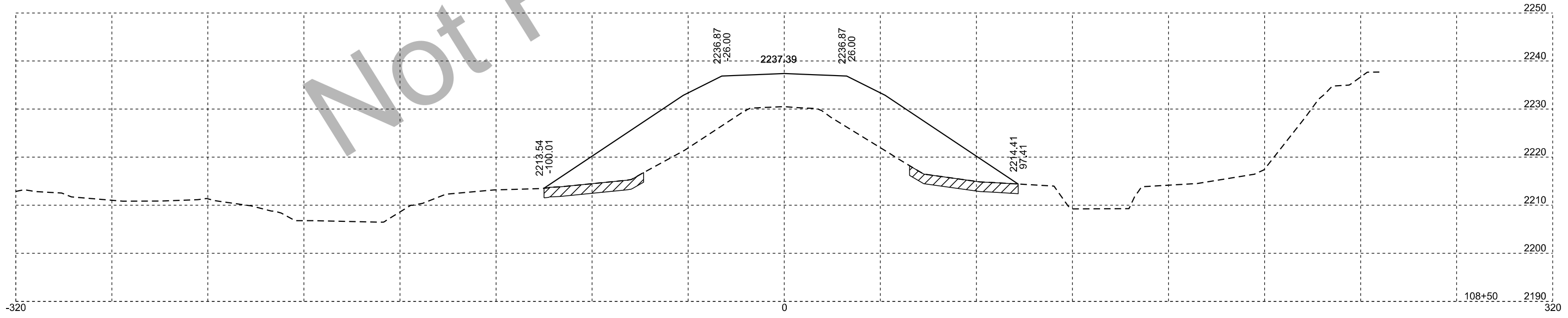
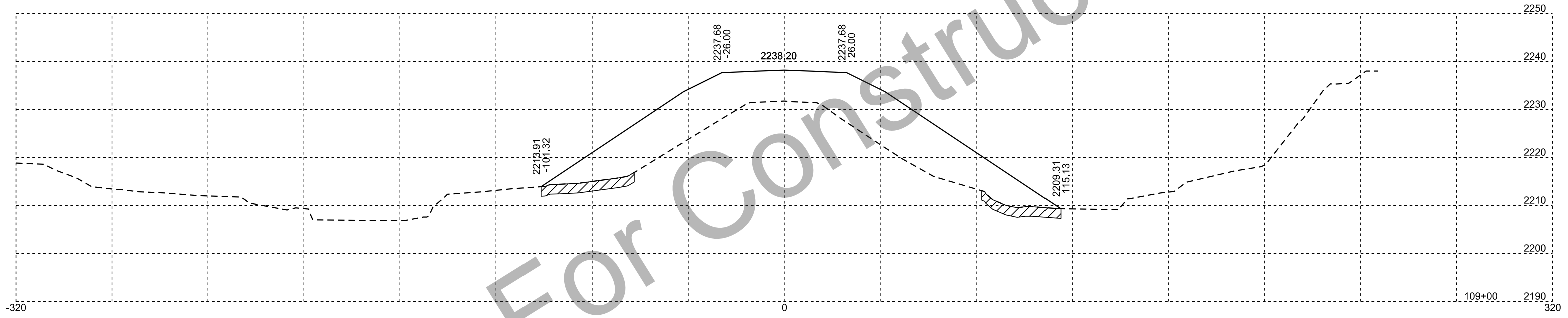
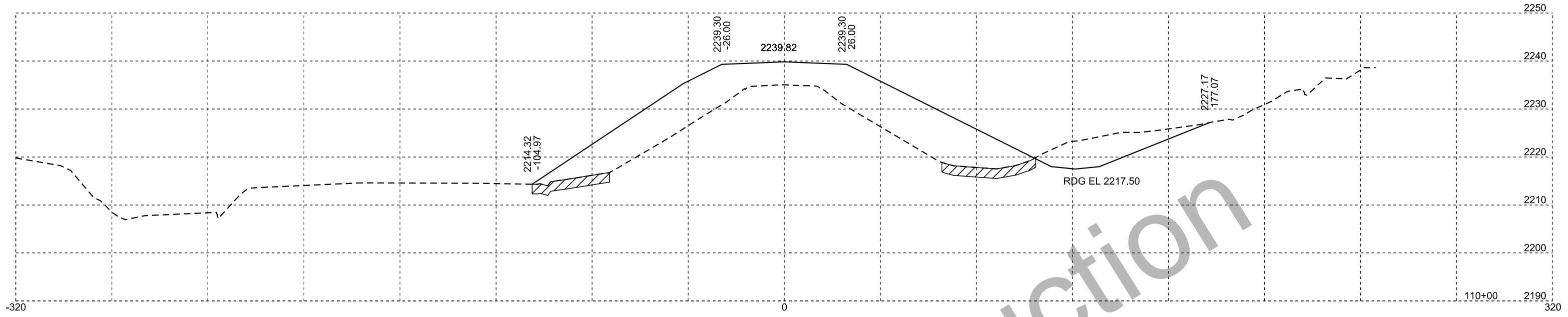


STATE OF SOUTH DAKOTA	PROJECT	SHEET	TOTAL SHEETS
	NH 0012(206)112	X138	X185



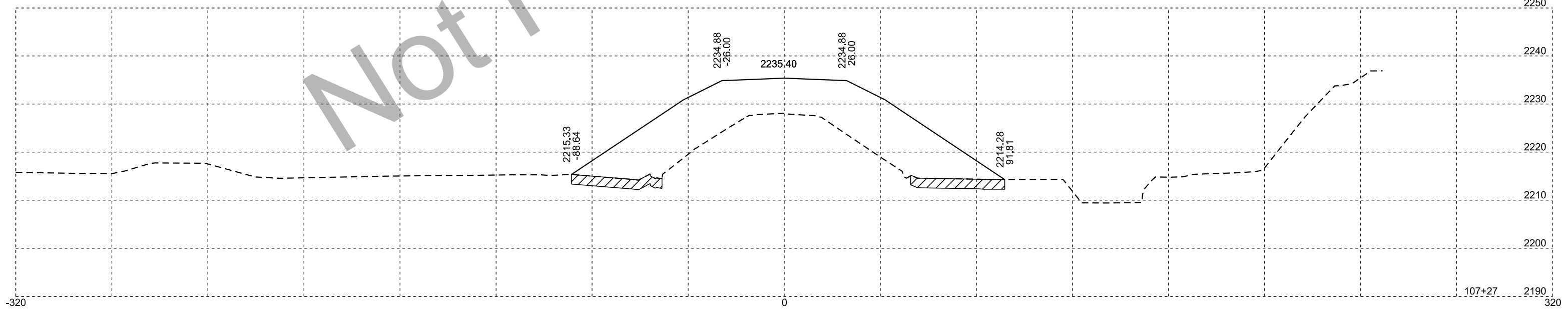
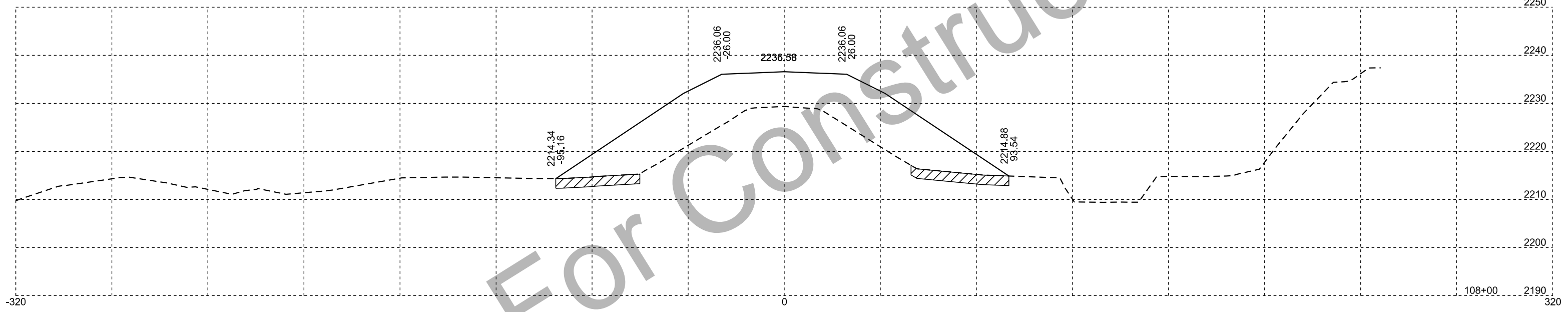
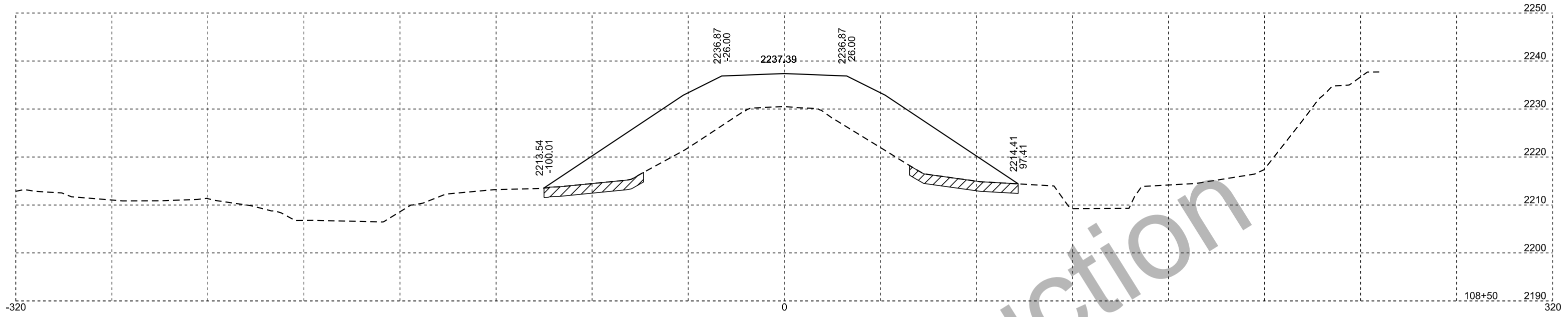
Not For Construction

STATE OF SOUTH DAKOTA	PROJECT	SHEET	TOTAL SHEETS
	NH 0012(206)112	X139	X185



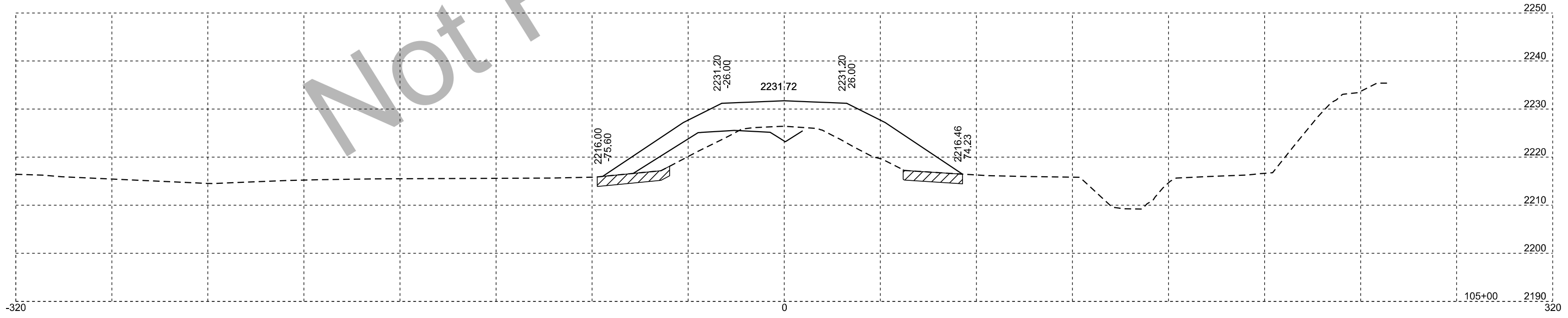
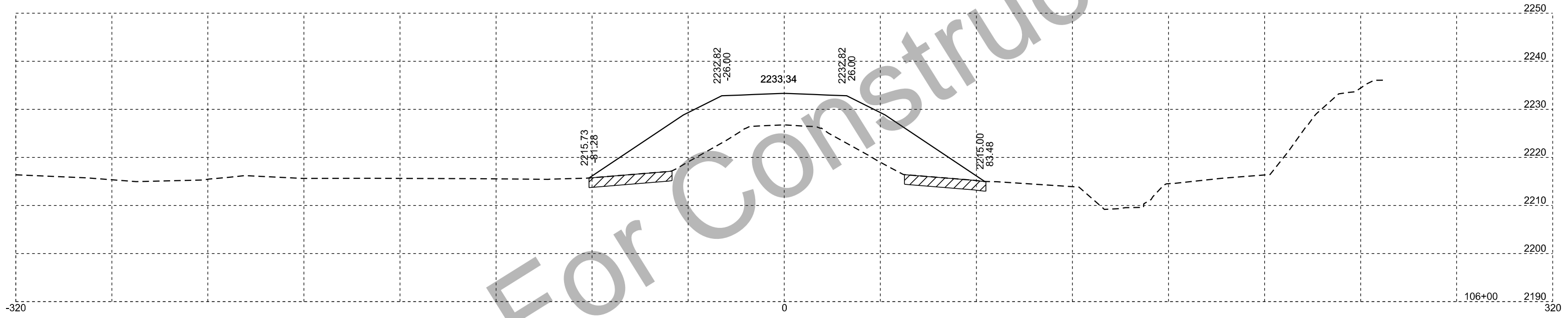
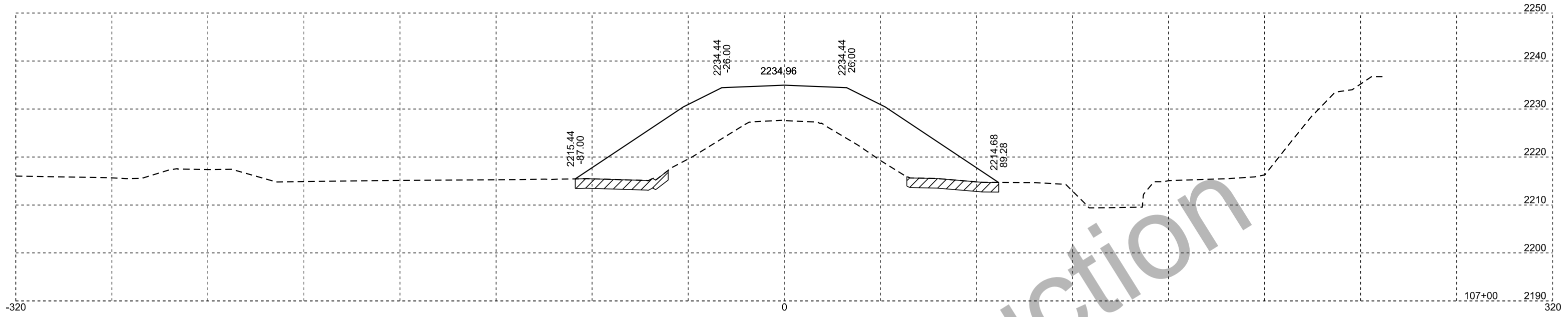
Not For Construction

STATE OF SOUTH DAKOTA	PROJECT	SHEET	TOTAL SHEETS
	NH 0012(206)112	X140	X185



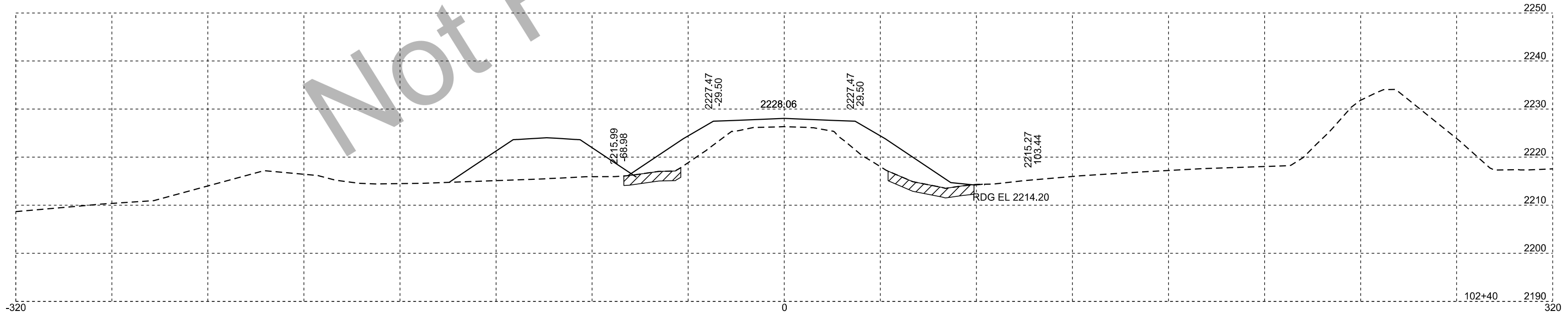
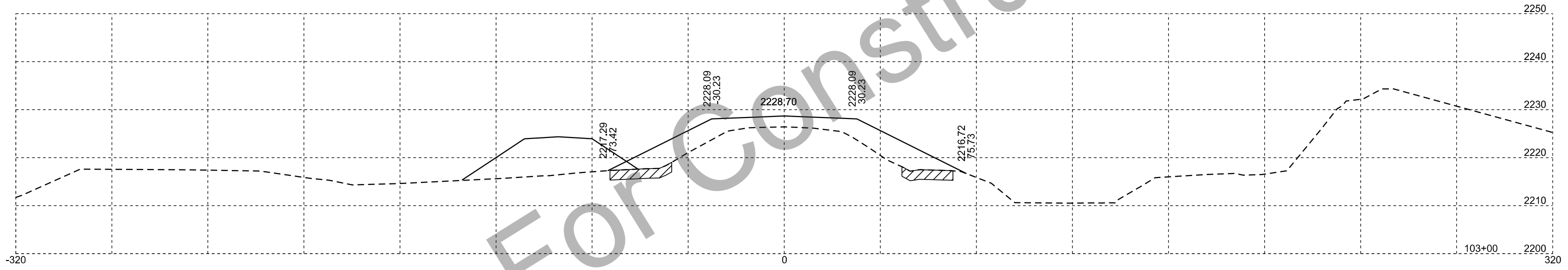
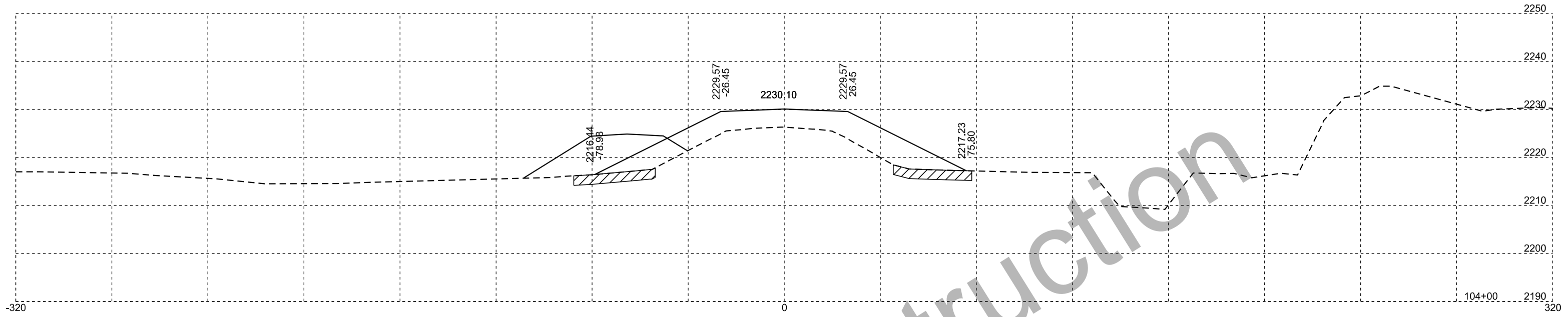
Not For Construction

STATE OF SOUTH DAKOTA	PROJECT	SHEET	TOTAL SHEETS
	NH 0012(206)112	X141	X185

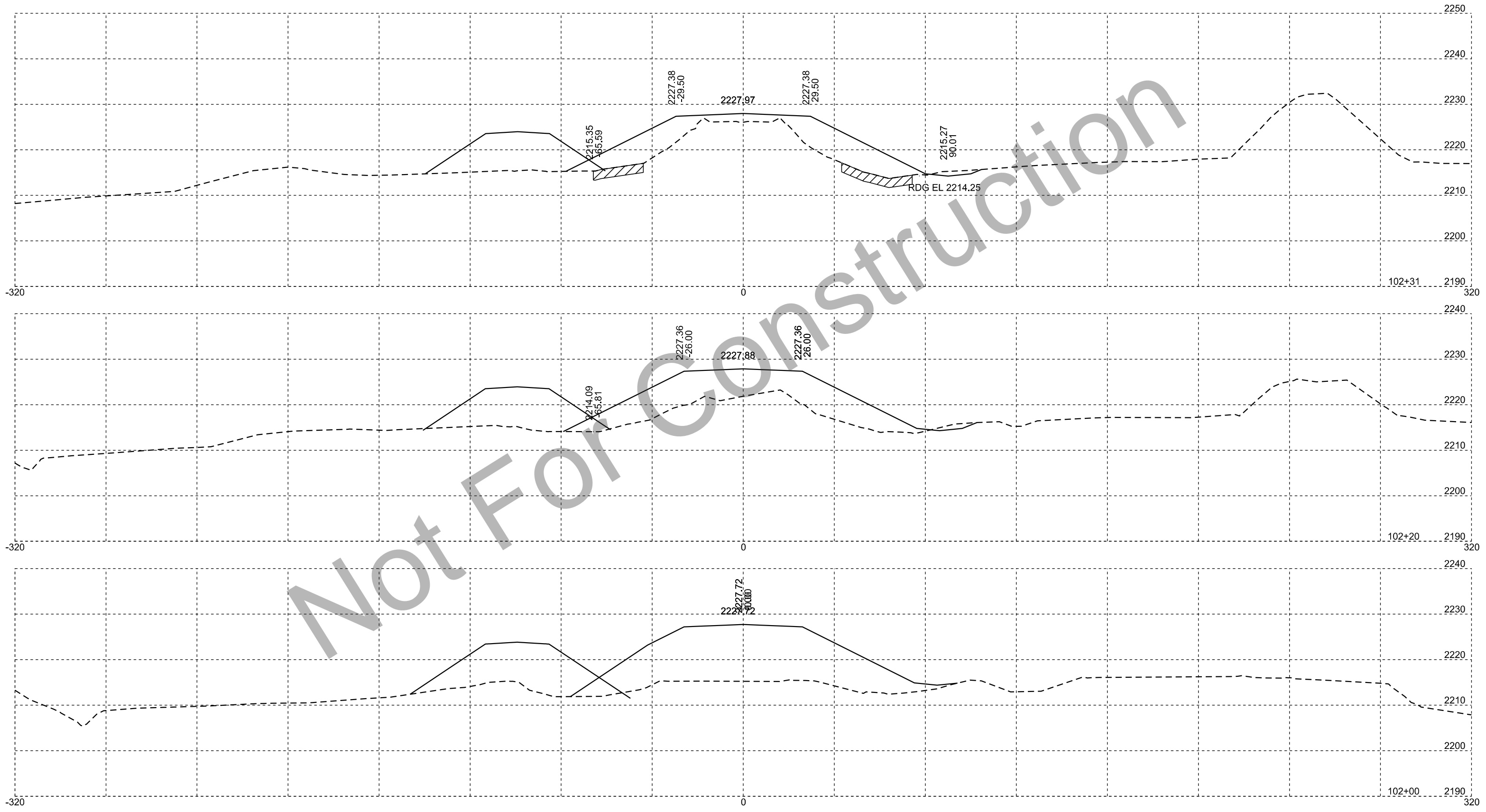


Not For Construction

STATE OF SOUTH DAKOTA	PROJECT	SHEET	TOTAL SHEETS
	NH 0012(206)112	X142	X185

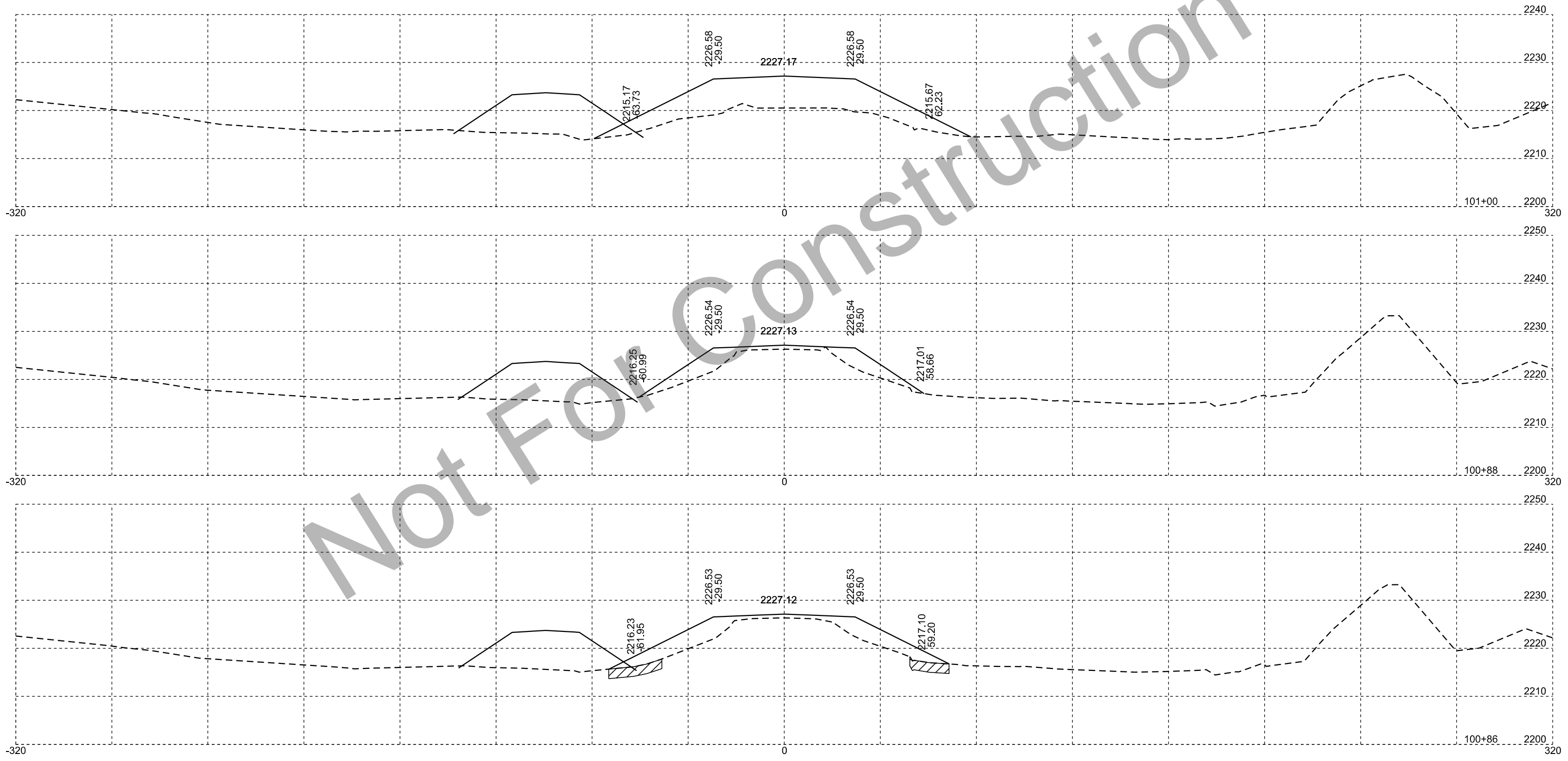


STATE OF SOUTH DAKOTA	PROJECT	SHEET	TOTAL SHEETS
	NH 0012(206)112	X143	X185



Not For Construction

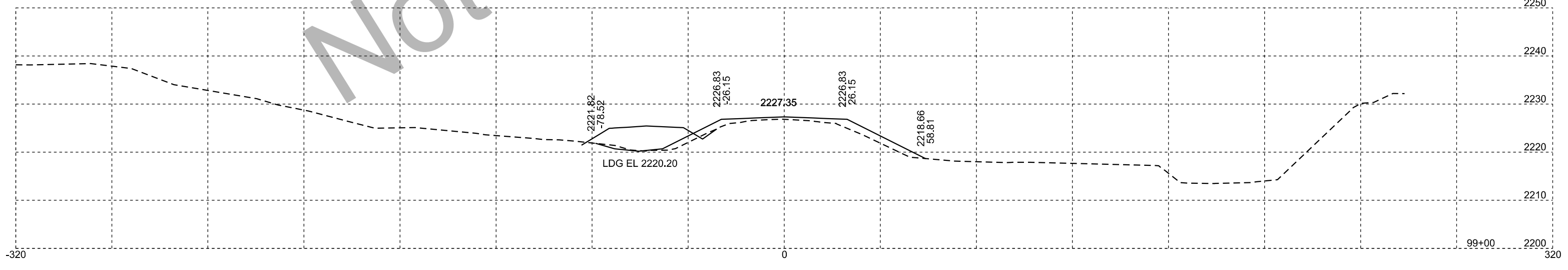
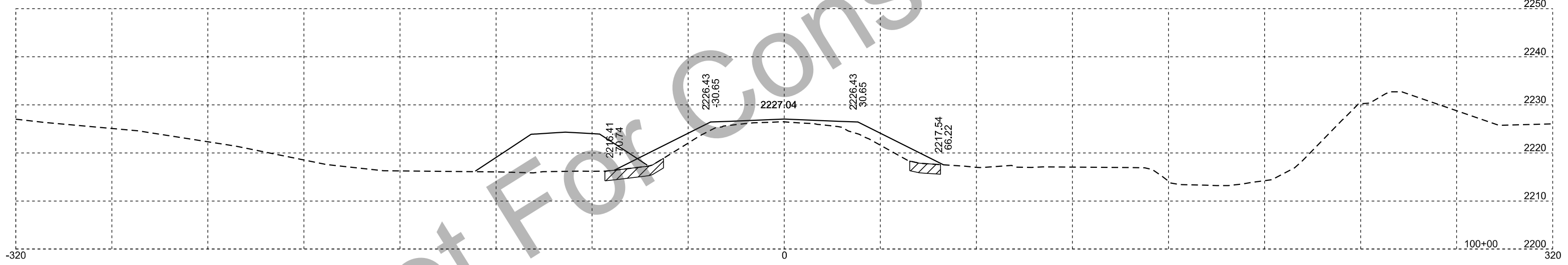
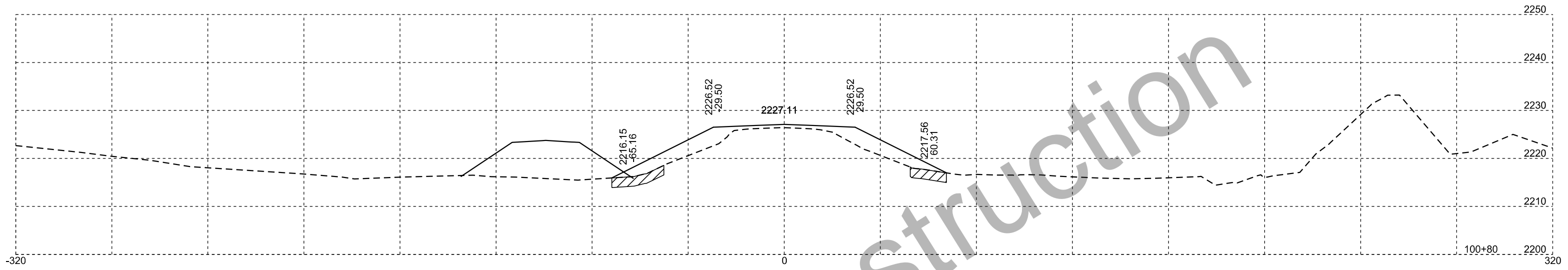
STATE OF SOUTH DAKOTA	PROJECT	SHEET	TOTAL SHEETS
	NH 0012(206)112	X144	X185



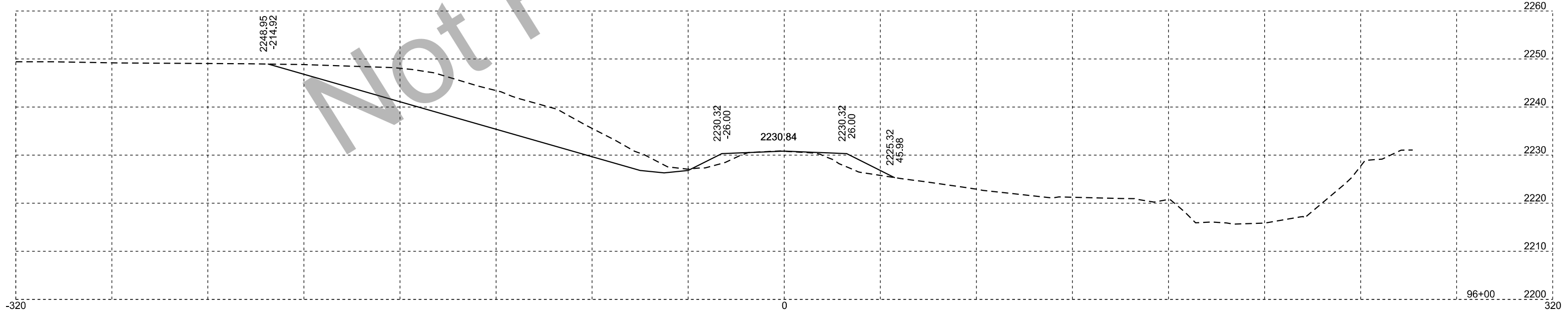
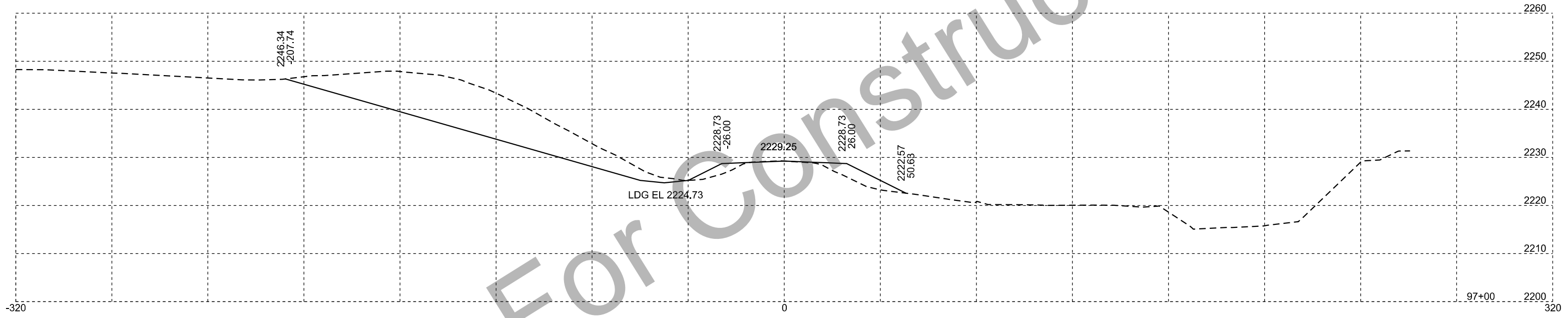
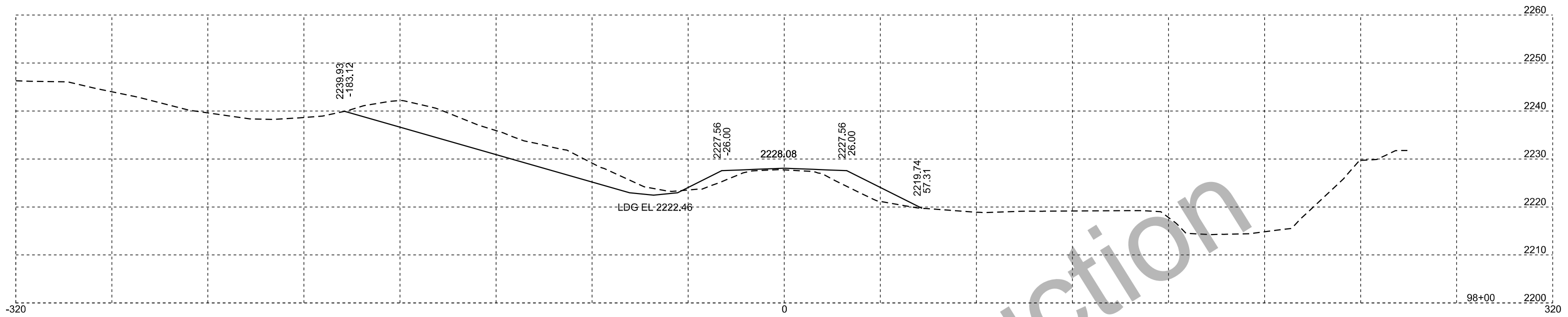
Not For Construction



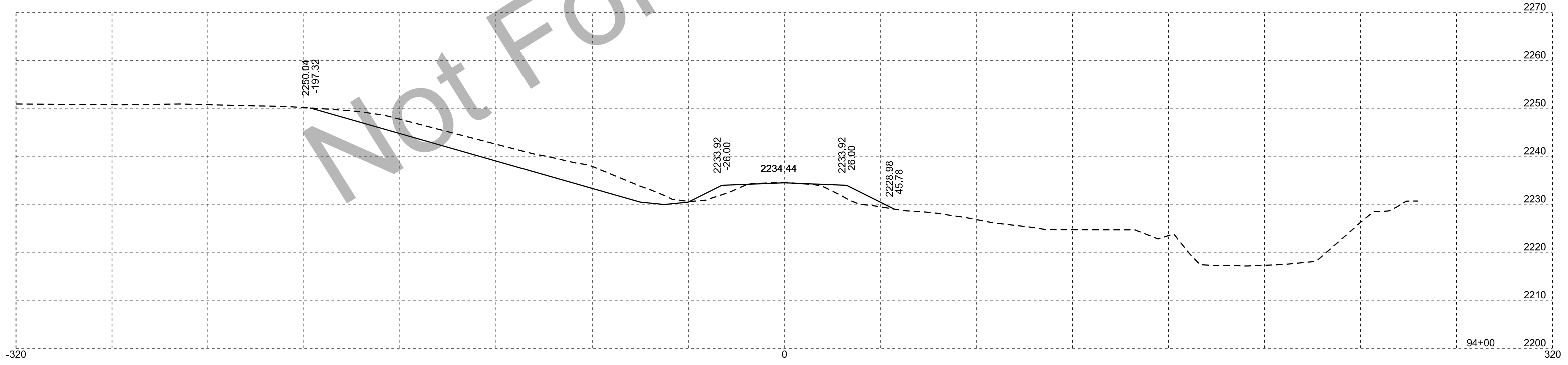
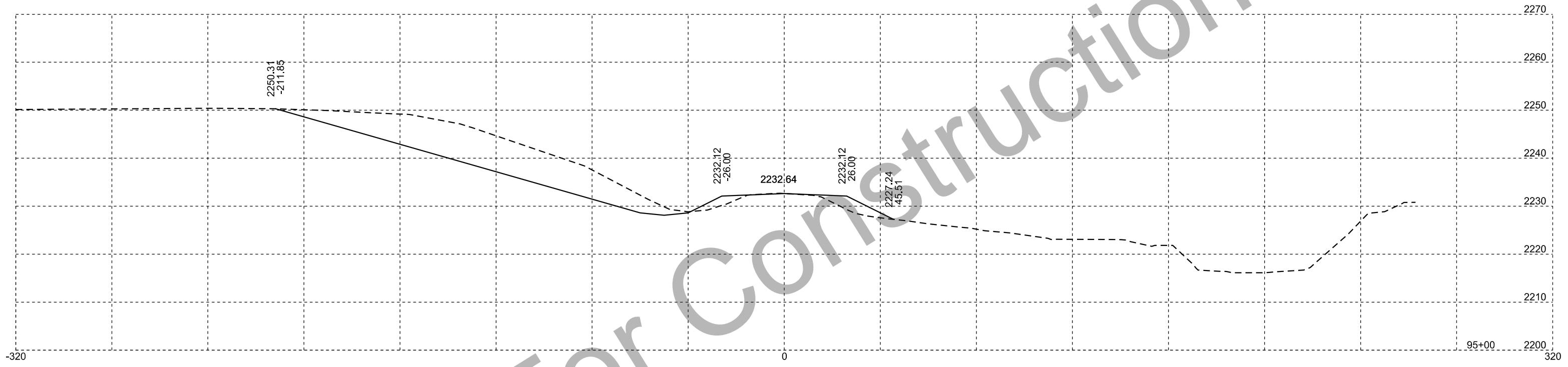
STATE OF SOUTH DAKOTA	PROJECT	SHEET	TOTAL SHEETS
	NH 0012(206)112	X145	X185



STATE OF SOUTH DAKOTA	PROJECT	SHEET	TOTAL SHEETS
	NH 0012(206)112	X146	X185

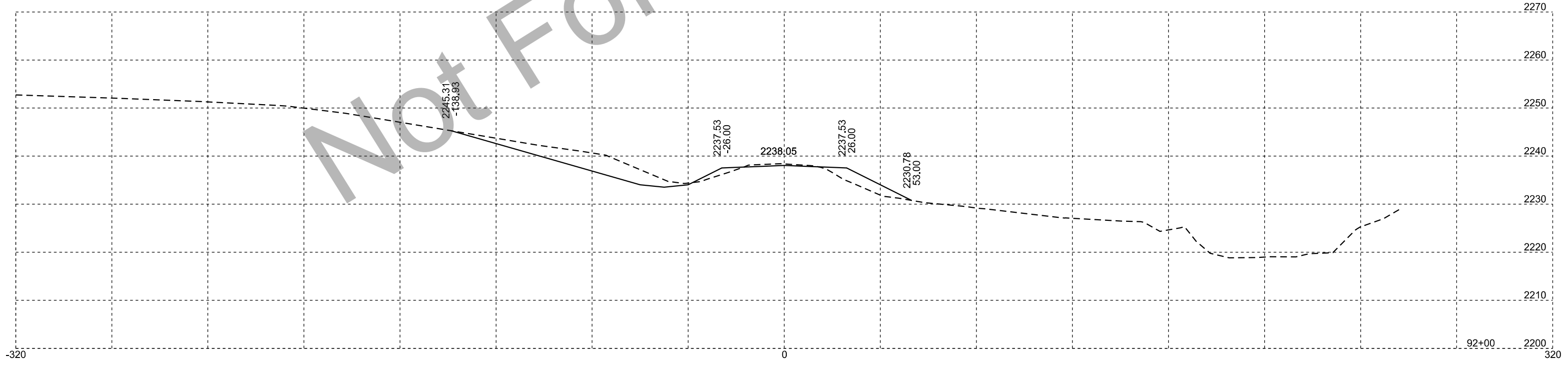
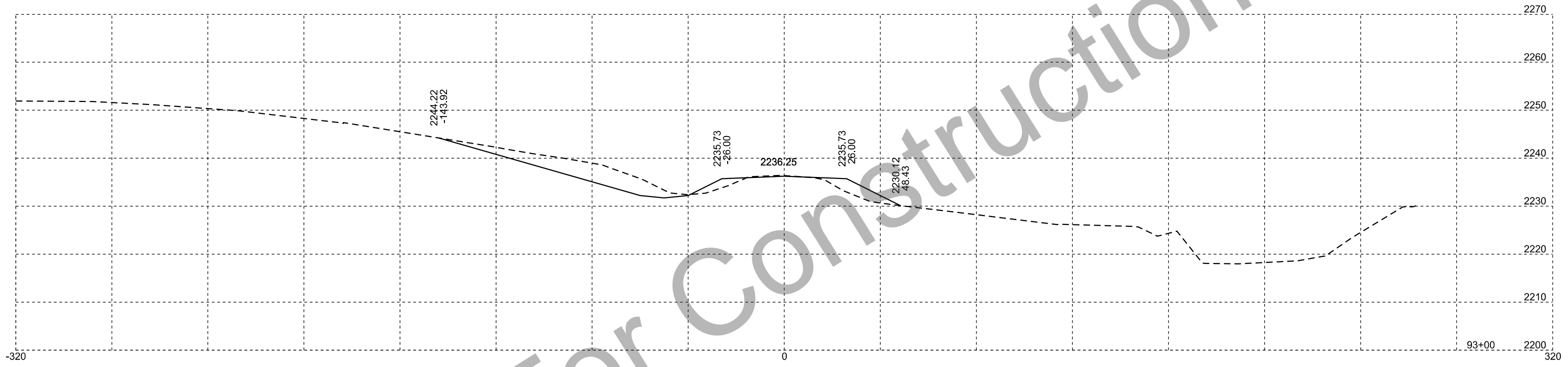


STATE OF SOUTH DAKOTA	PROJECT	SHEET	TOTAL SHEETS
	NH 0012(206)112	X147	X185



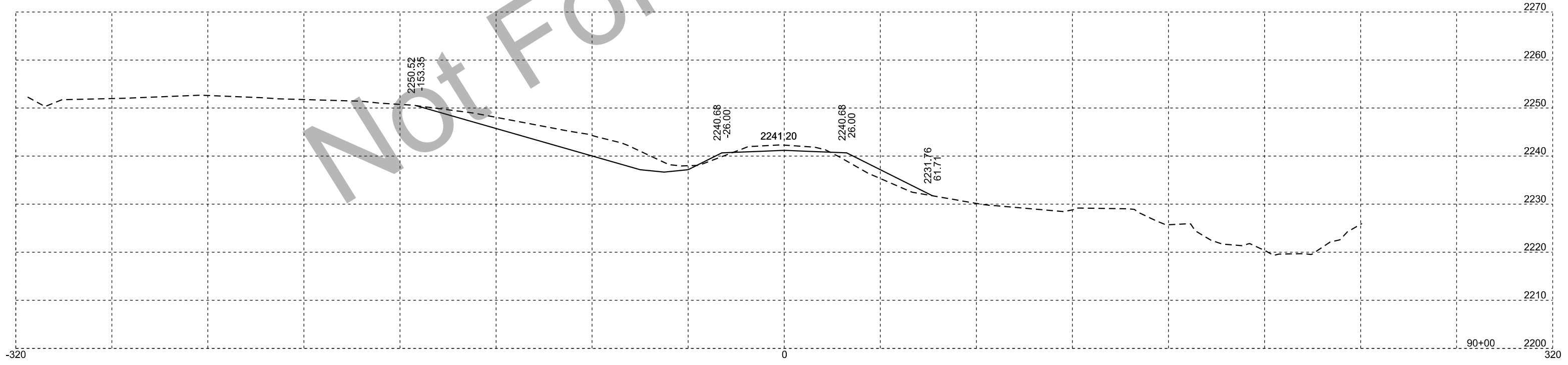
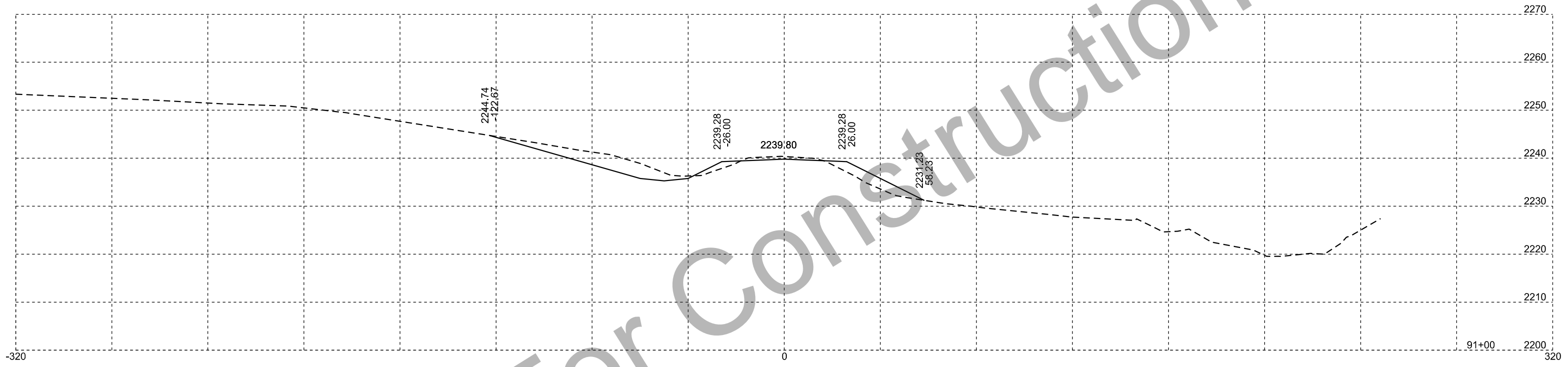
Not For Construction

STATE OF SOUTH DAKOTA	PROJECT	SHEET	TOTAL SHEETS
	NH 0012(206)112	X148	X185



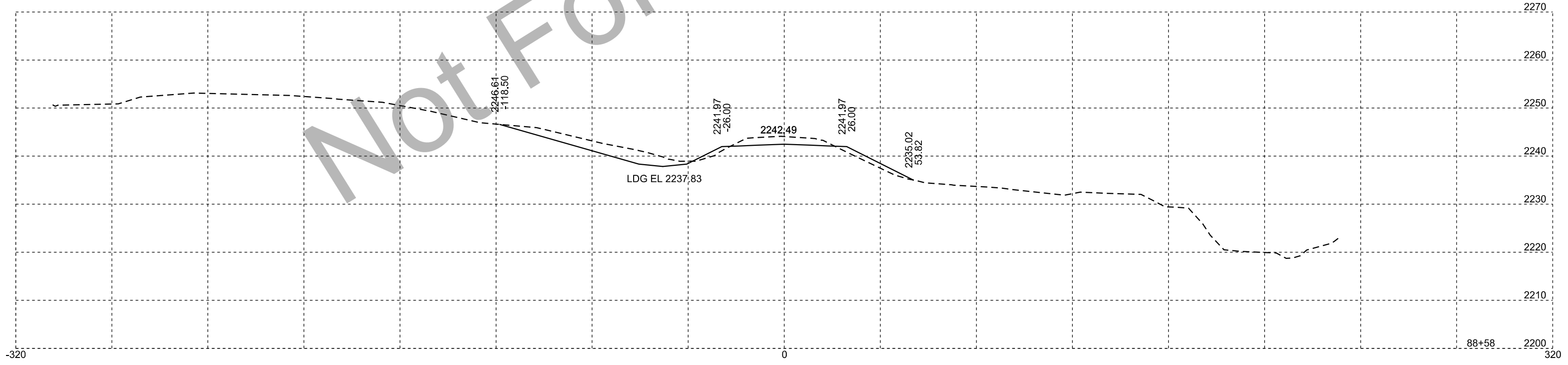
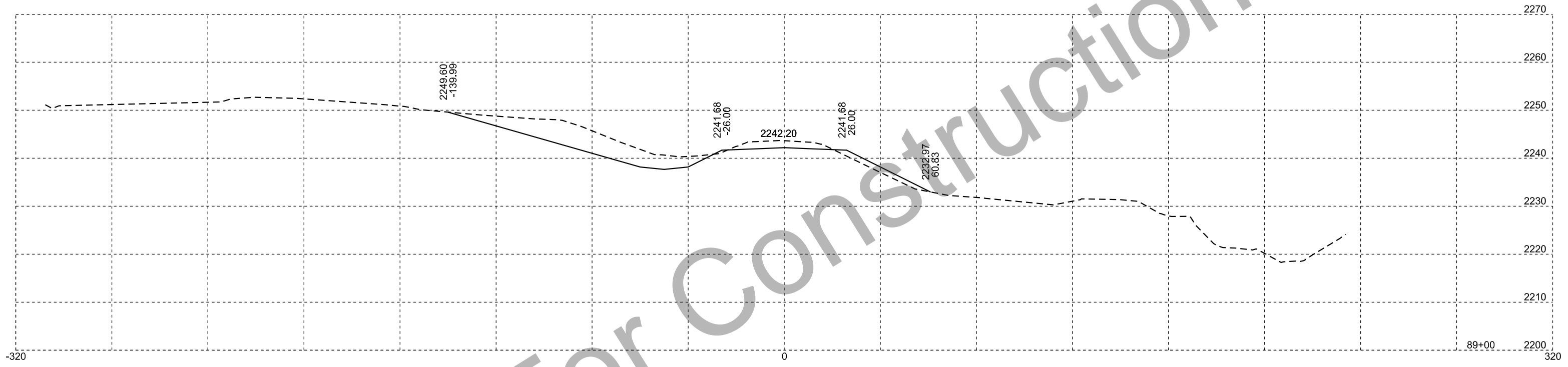
Not For Construction

STATE OF SOUTH DAKOTA	PROJECT	SHEET	TOTAL SHEETS
	NH 0012(206)112	X149	X185



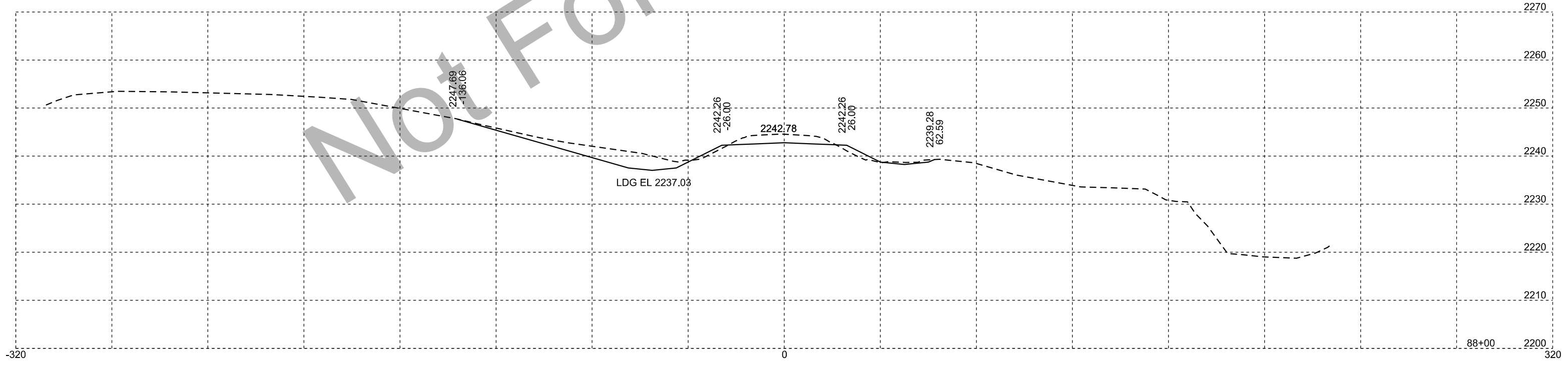
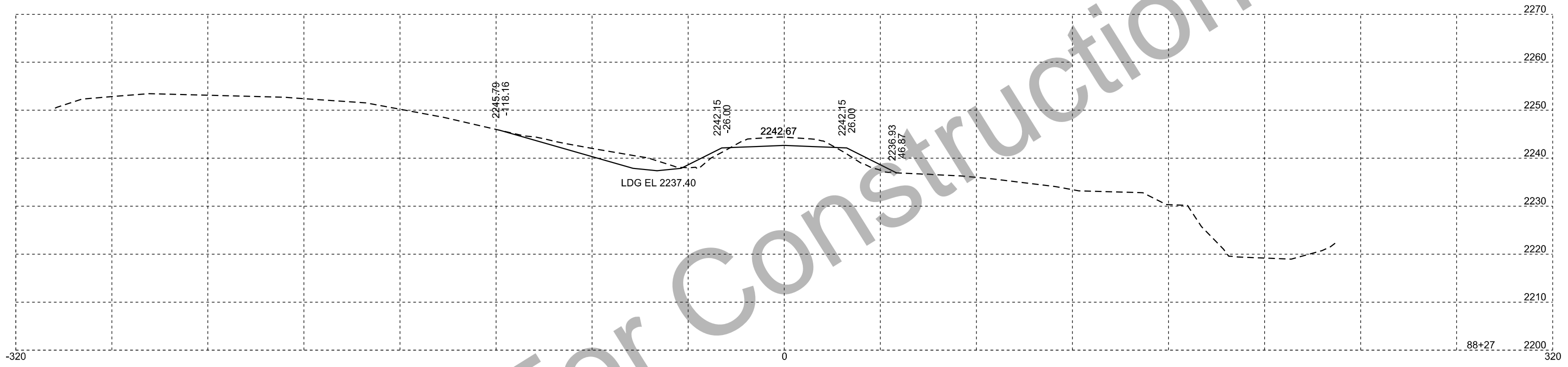
Not For Construction

STATE OF SOUTH DAKOTA	PROJECT	SHEET	TOTAL SHEETS
	NH 0012(206)112	X150	X185

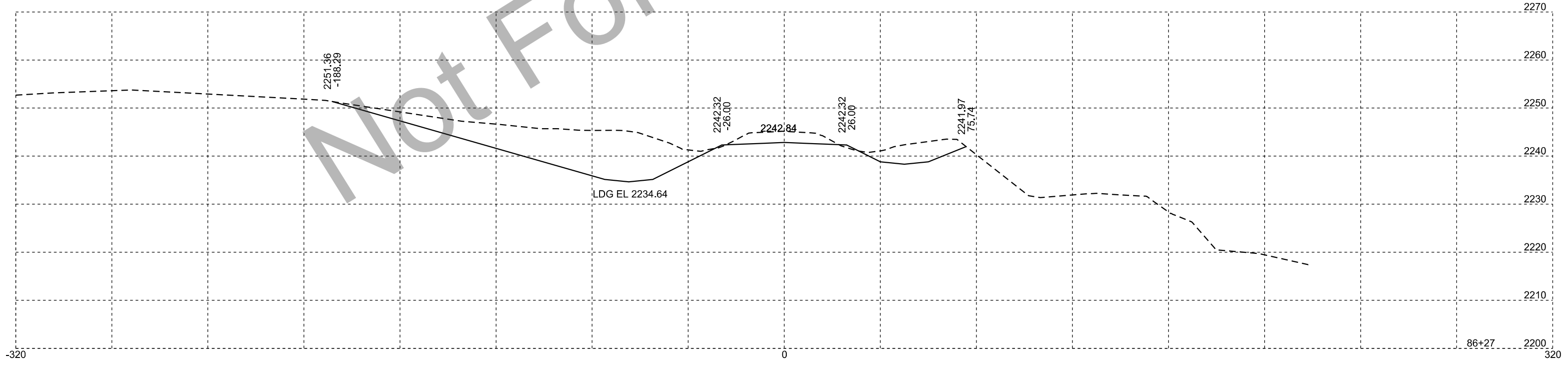
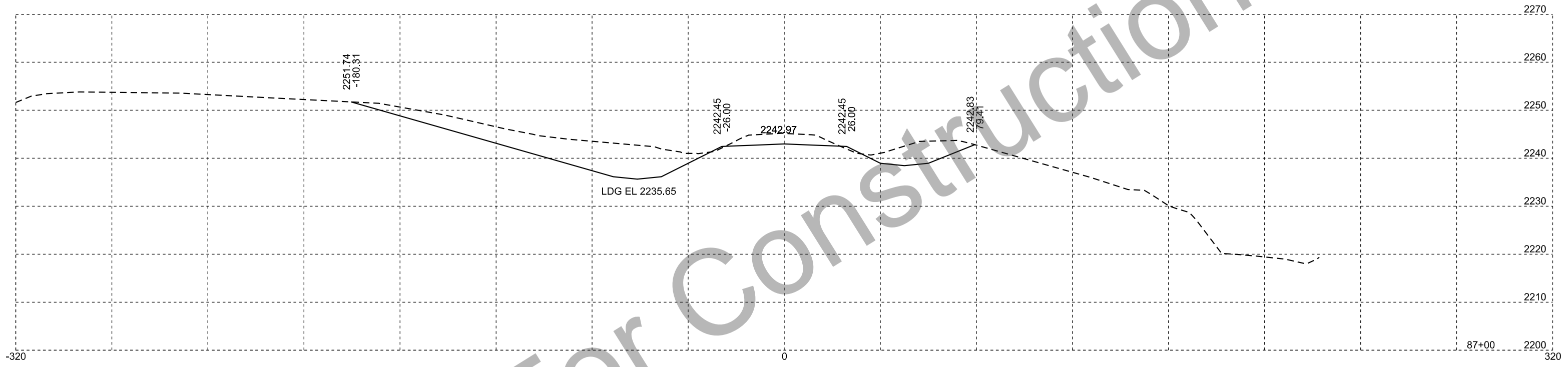


Not For Construction

STATE OF SOUTH DAKOTA	PROJECT	SHEET	TOTAL SHEETS
	NH 0012(206)112	X151	X185

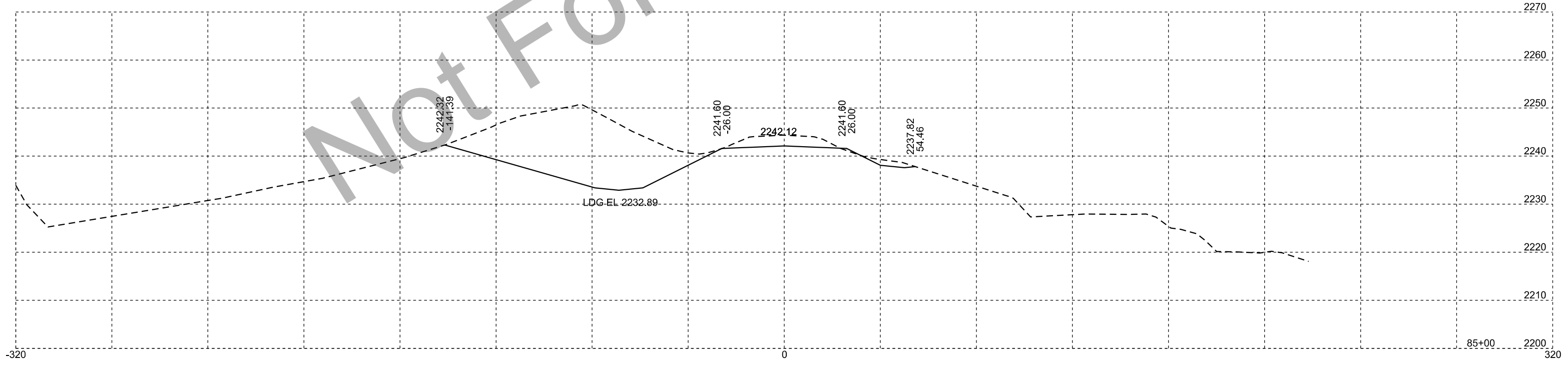
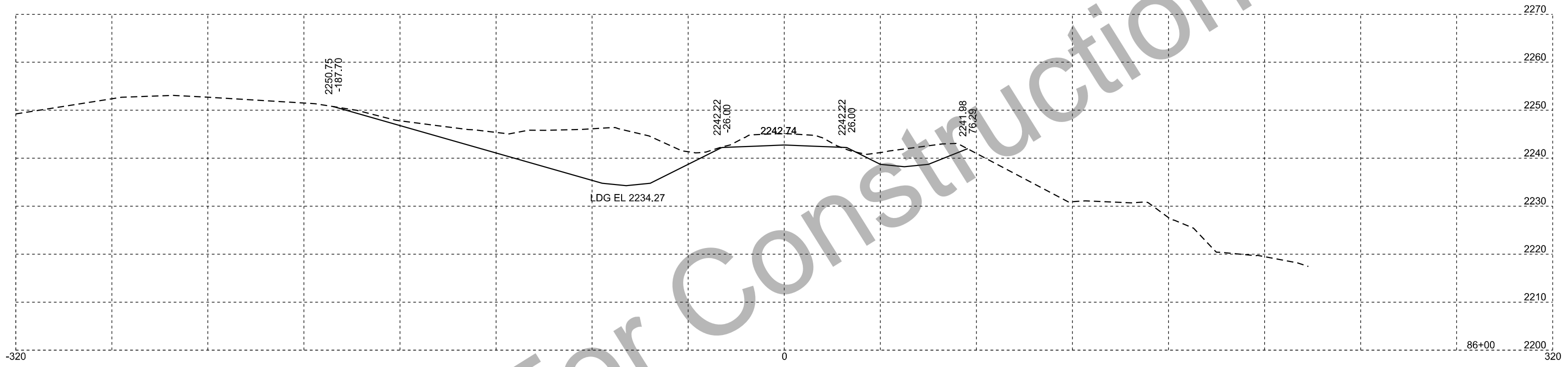


STATE OF SOUTH DAKOTA	PROJECT	SHEET	TOTAL SHEETS
	NH 0012(206)112	X152	X185

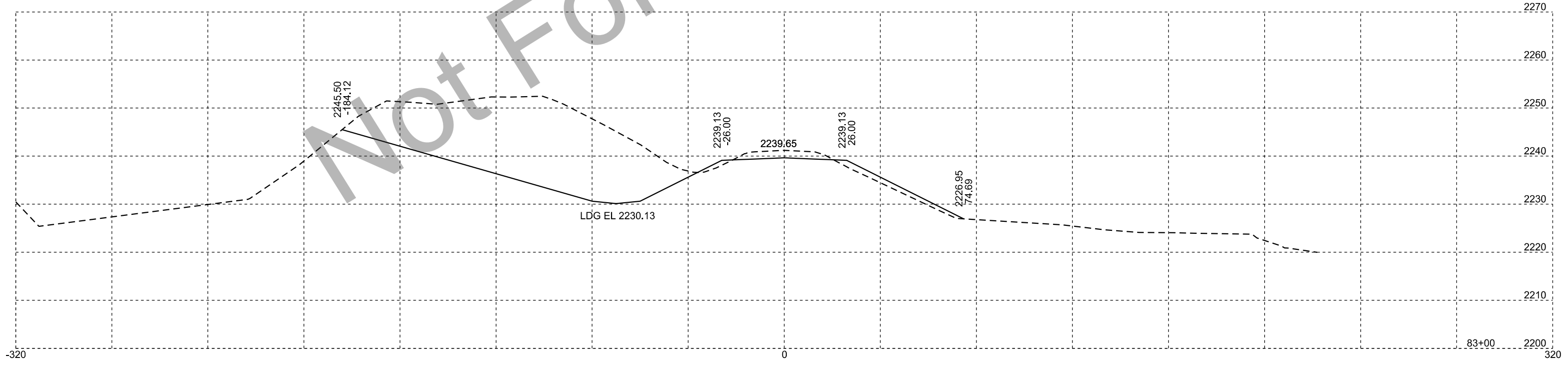
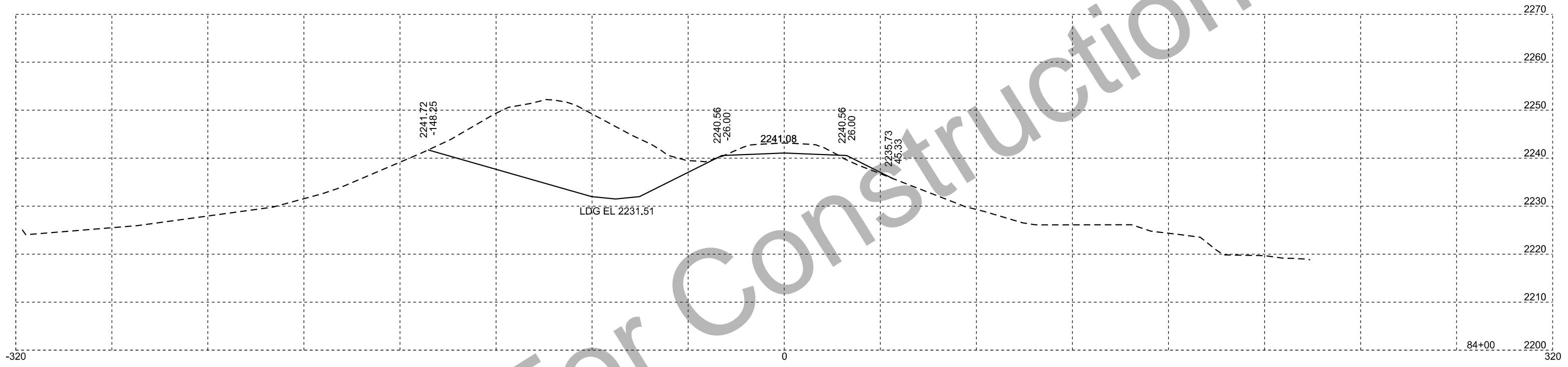




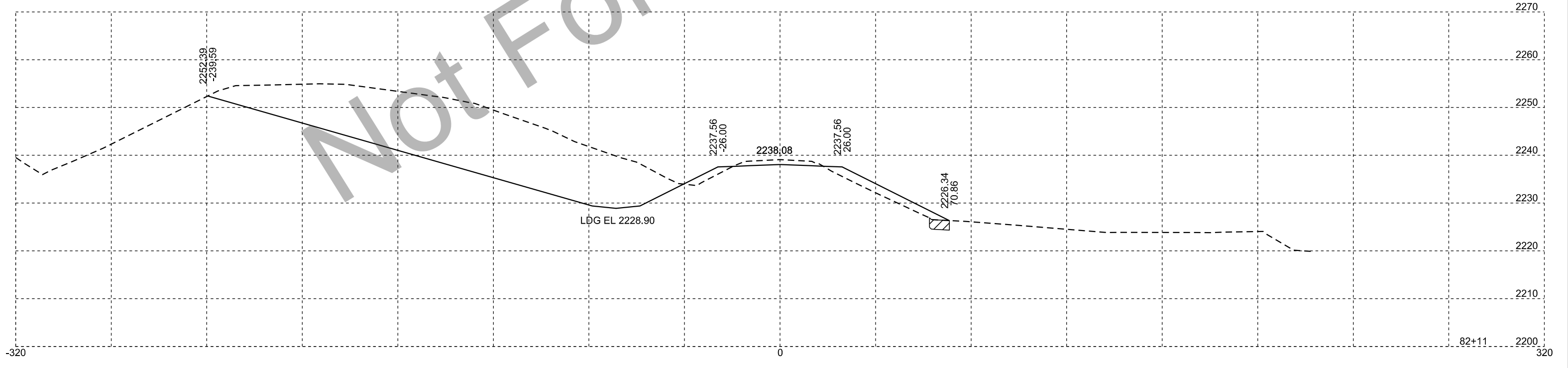
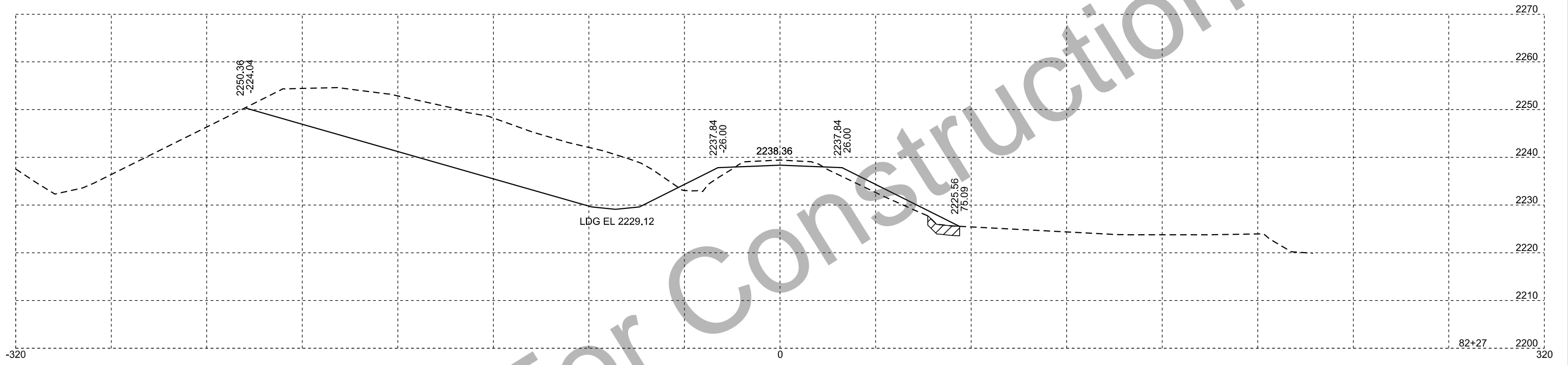
STATE OF SOUTH DAKOTA	PROJECT	SHEET	TOTAL SHEETS
	NH 0012(206)112	X153	X185



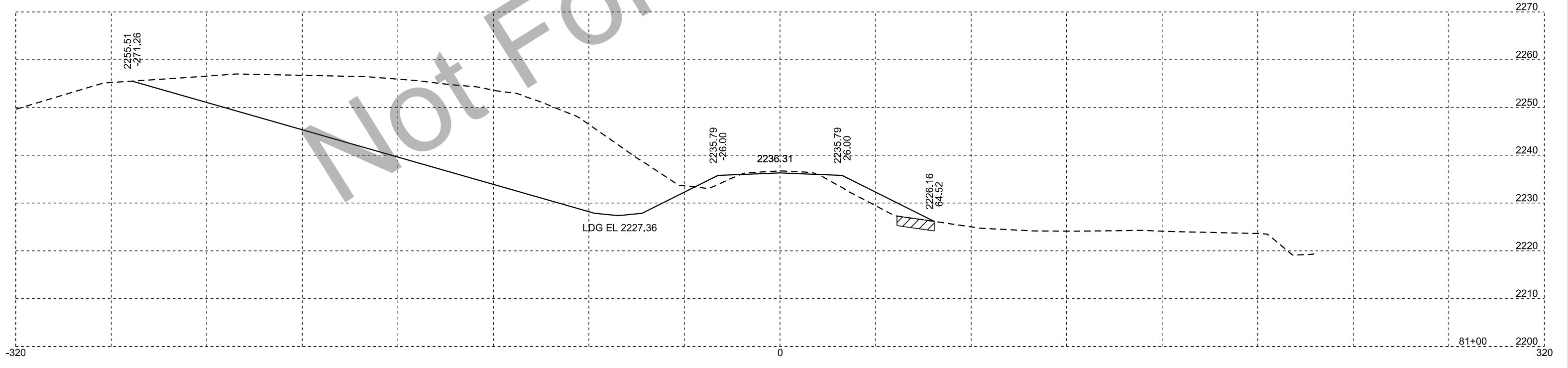
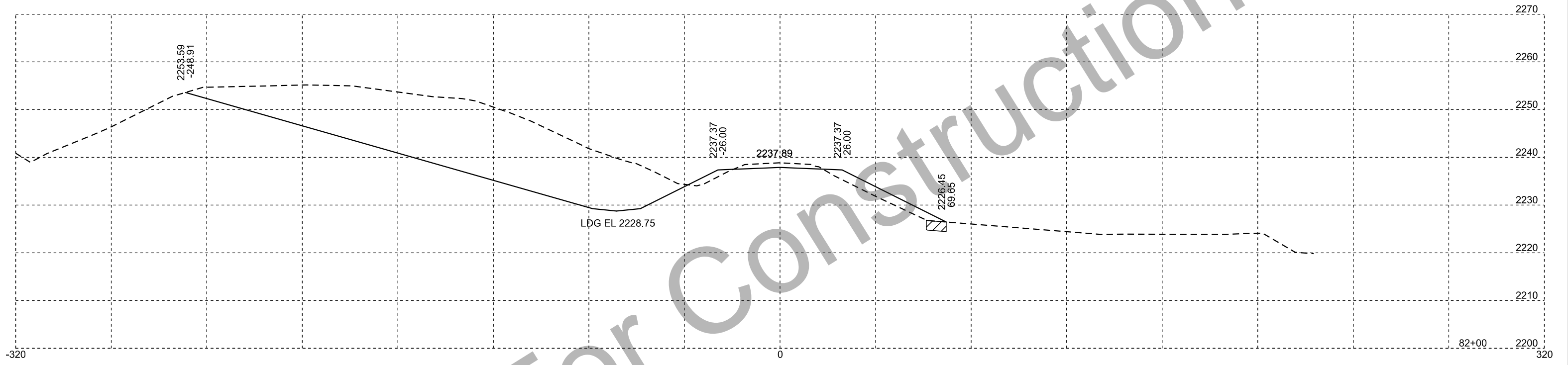
STATE OF SOUTH DAKOTA	PROJECT	SHEET	TOTAL SHEETS
	NH 0012(206)112	X154	X185



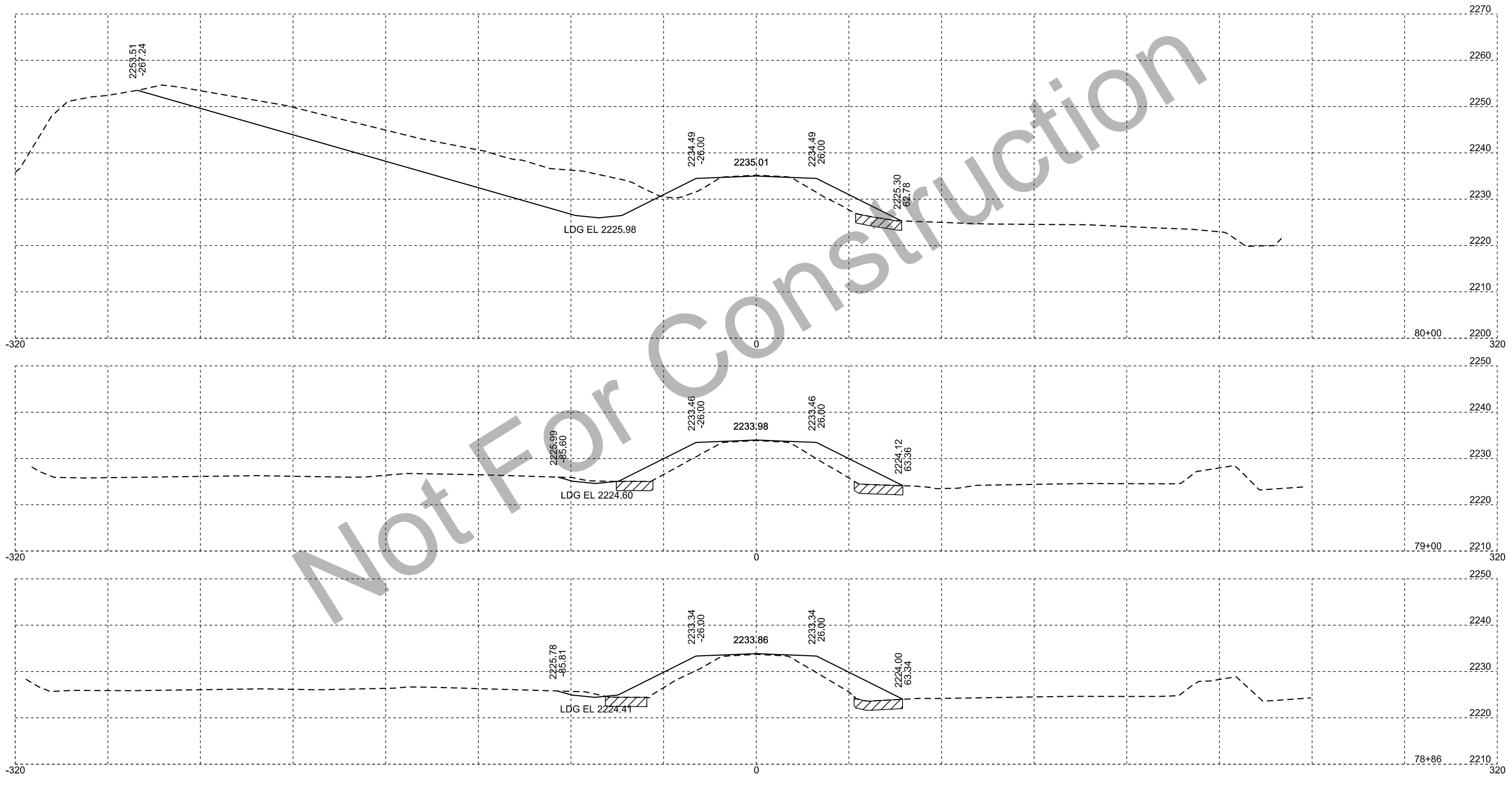
STATE OF SOUTH DAKOTA	PROJECT	SHEET	TOTAL SHEETS
	NH 0012(206)112	X155	X185



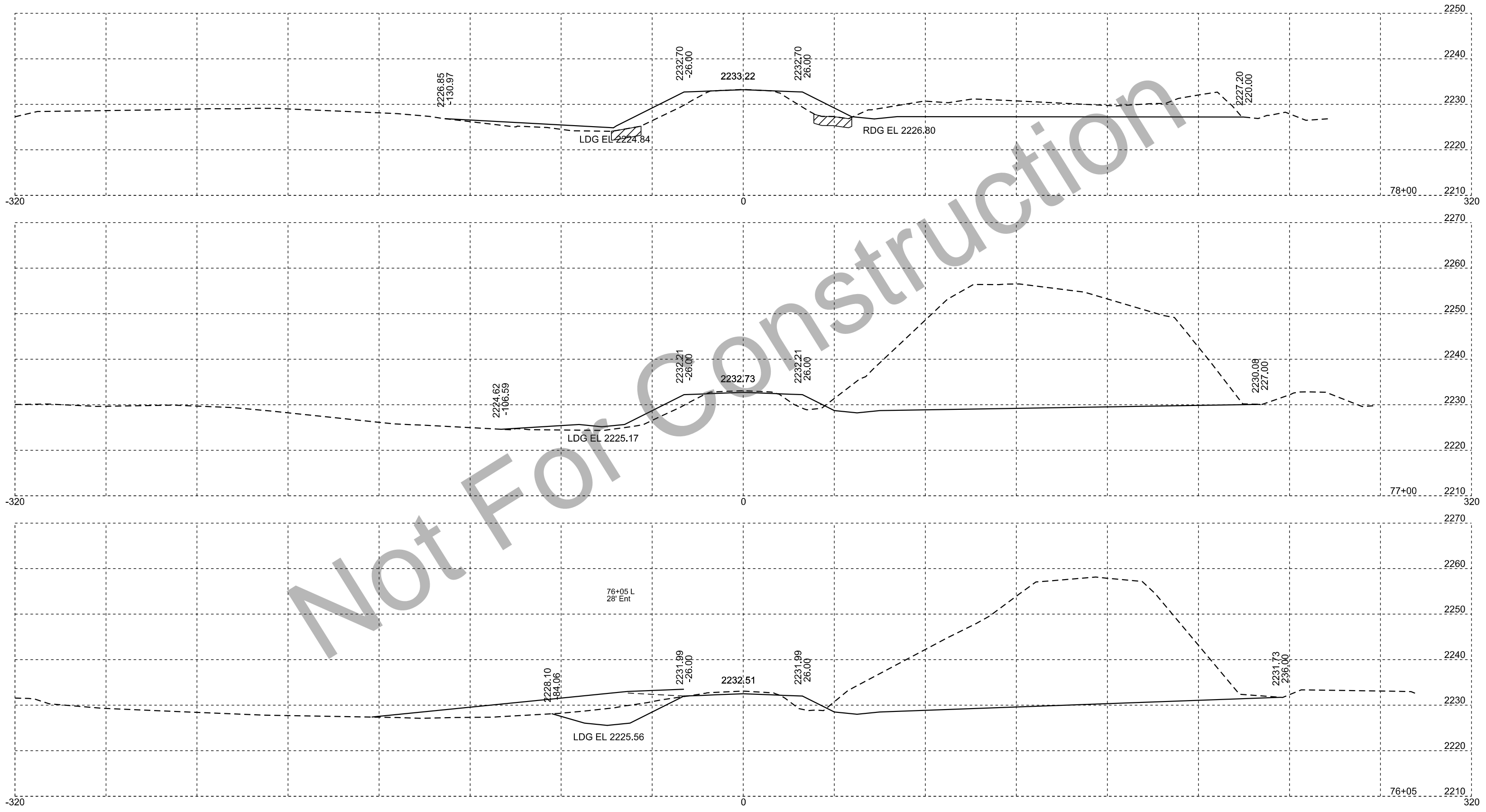
STATE OF SOUTH DAKOTA	PROJECT	SHEET	TOTAL SHEETS
	NH 0012(206)112	X156	X185



STATE OF SOUTH DAKOTA	PROJECT	SHEET	TOTAL SHEETS
	NH 0012(206)112	X157	X185

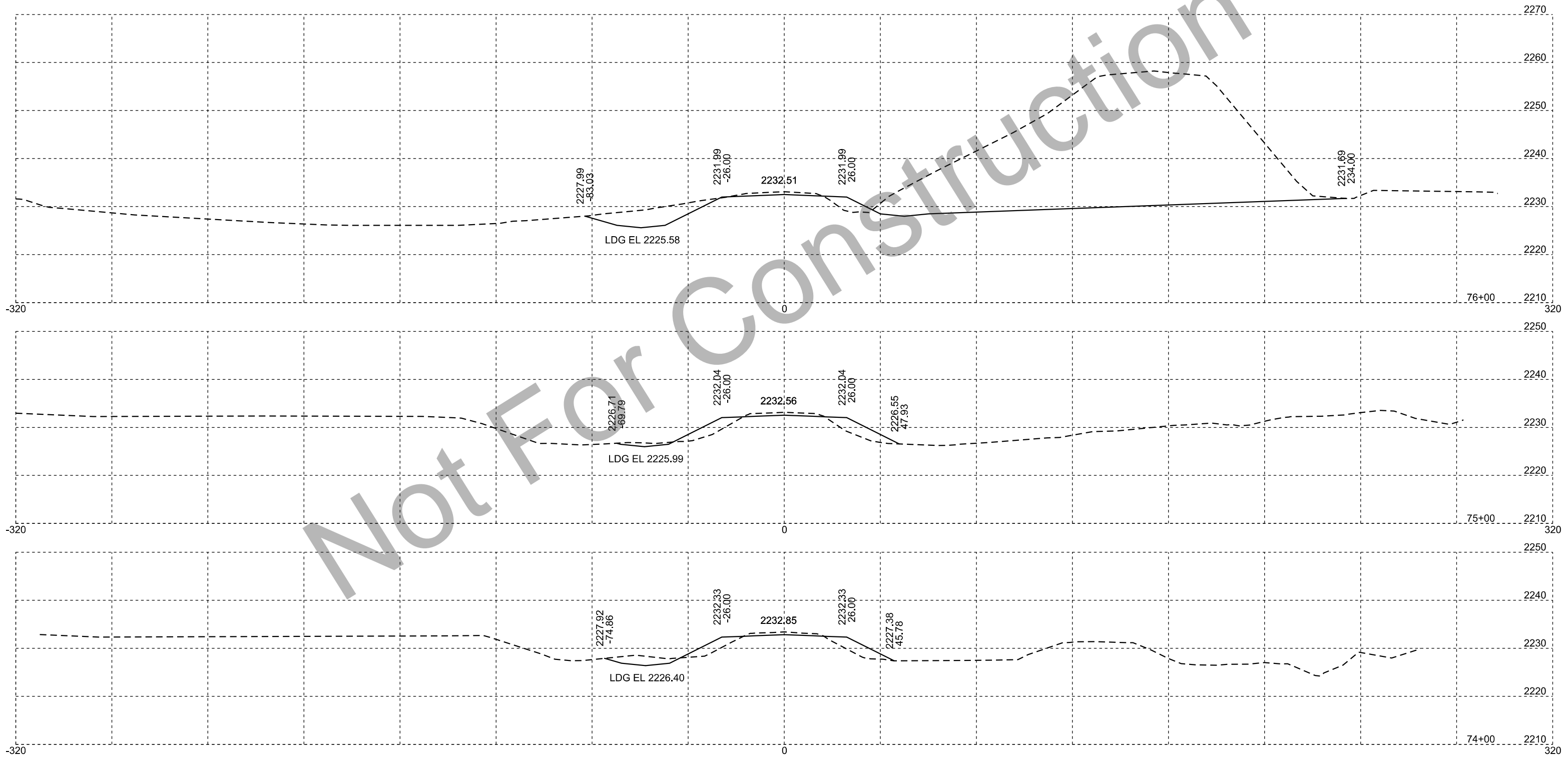


STATE OF SOUTH DAKOTA	PROJECT	SHEET	TOTAL SHEETS
	NH 0012(206)112	X158	X185



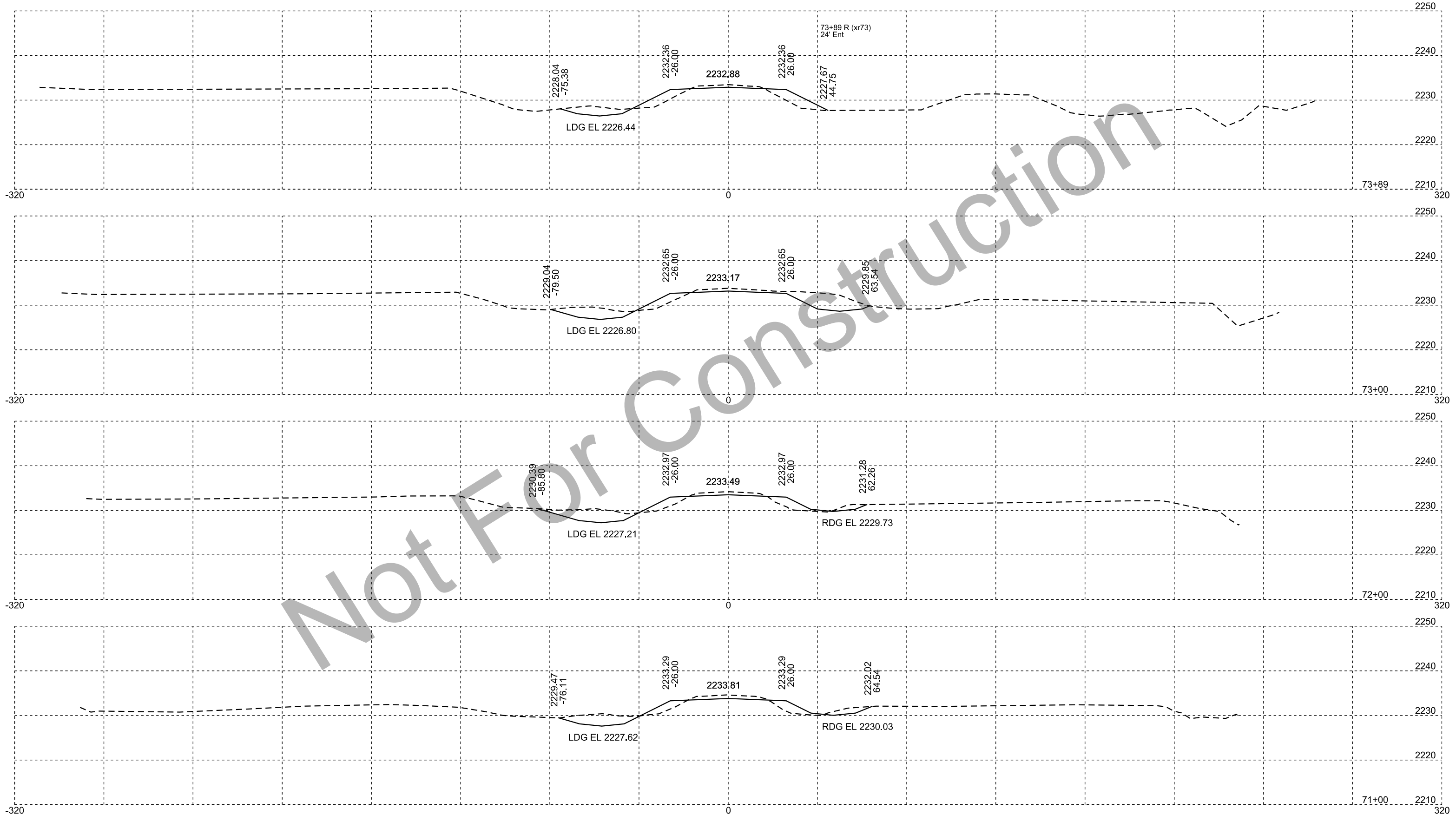
Not For Construction

STATE OF SOUTH DAKOTA	PROJECT	SHEET	TOTAL SHEETS
	NH 0012(206)112	X159	X185



Not For Construction

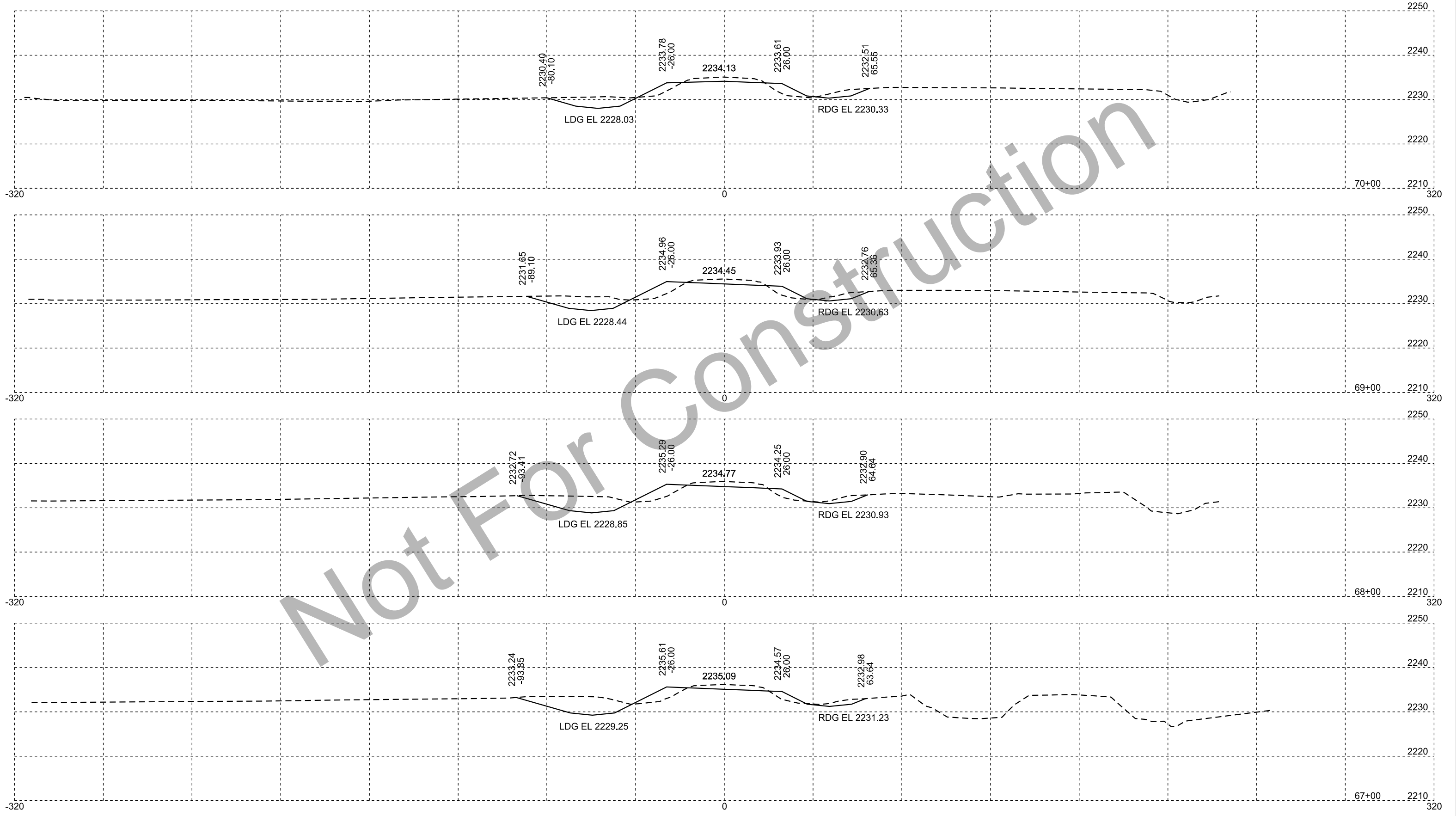
STATE OF SOUTH DAKOTA	PROJECT	SHEET	TOTAL SHEETS
	NH 0012(206)112	X160	X185



Not For Construction

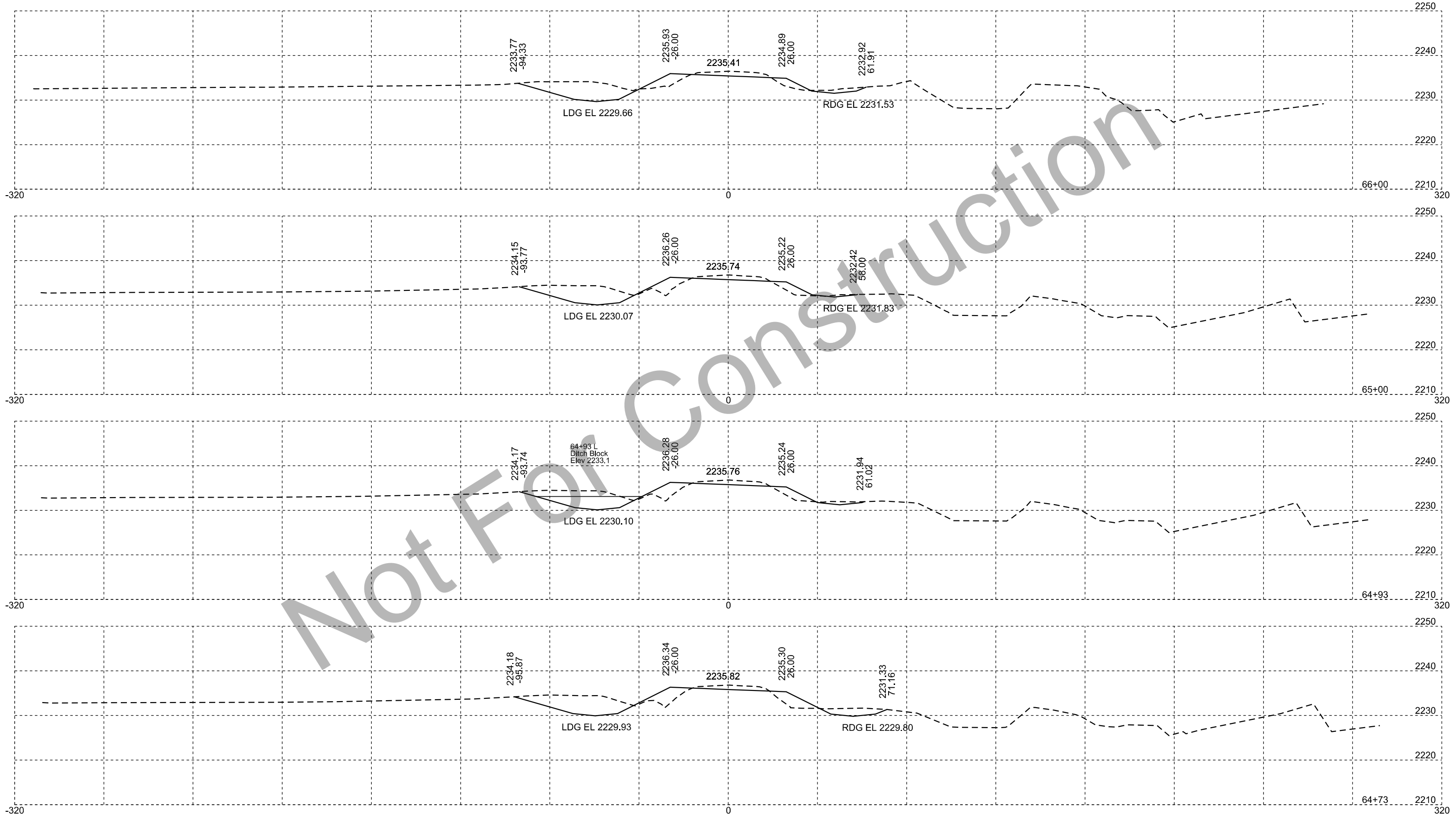


STATE OF SOUTH DAKOTA	PROJECT	SHEET	TOTAL SHEETS
	NH 0012(206)112	X161	X185



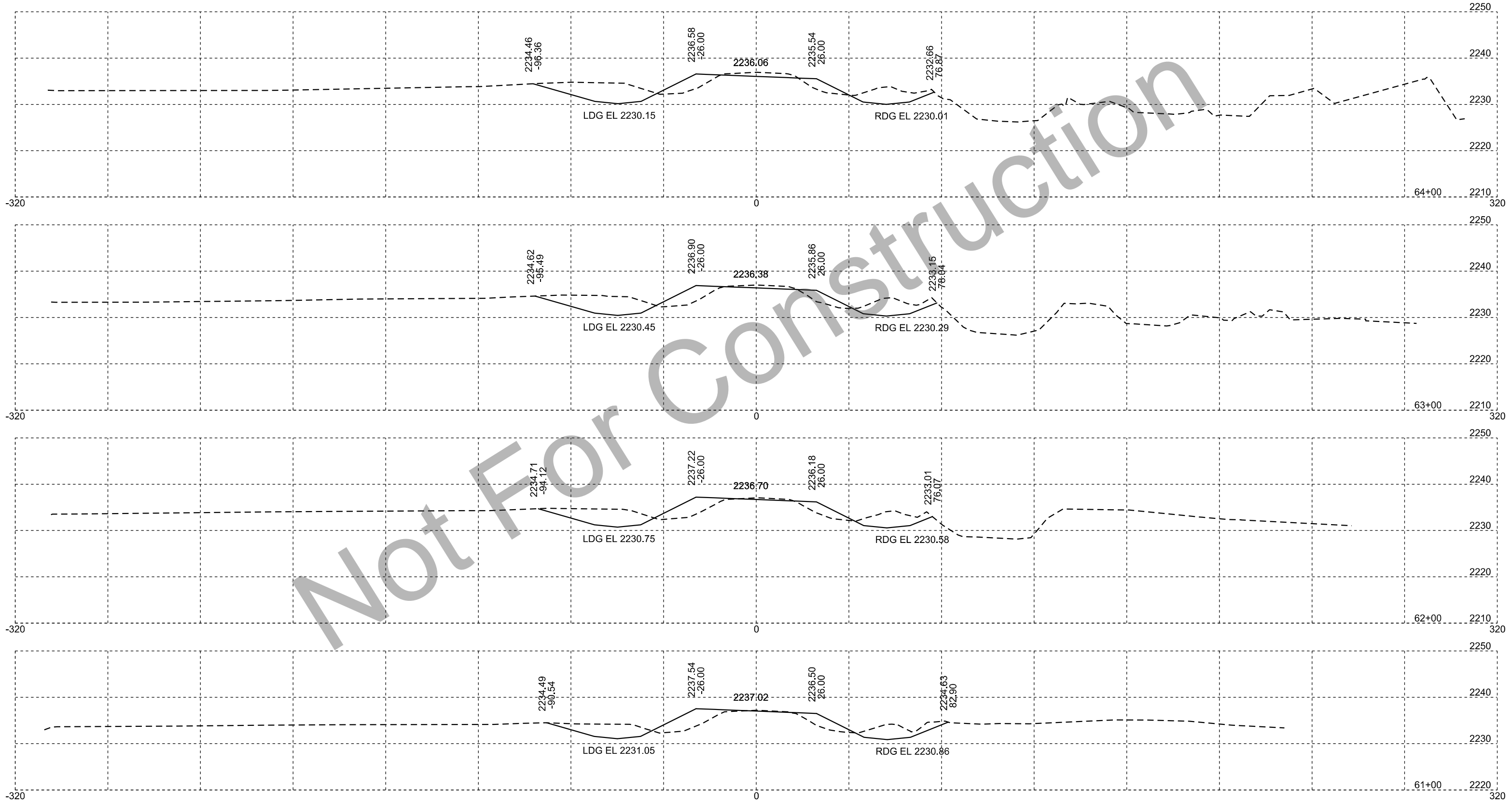
Not For Construction

STATE OF SOUTH DAKOTA	PROJECT	SHEET	TOTAL SHEETS
	NH 0012(206)112	X162	X185



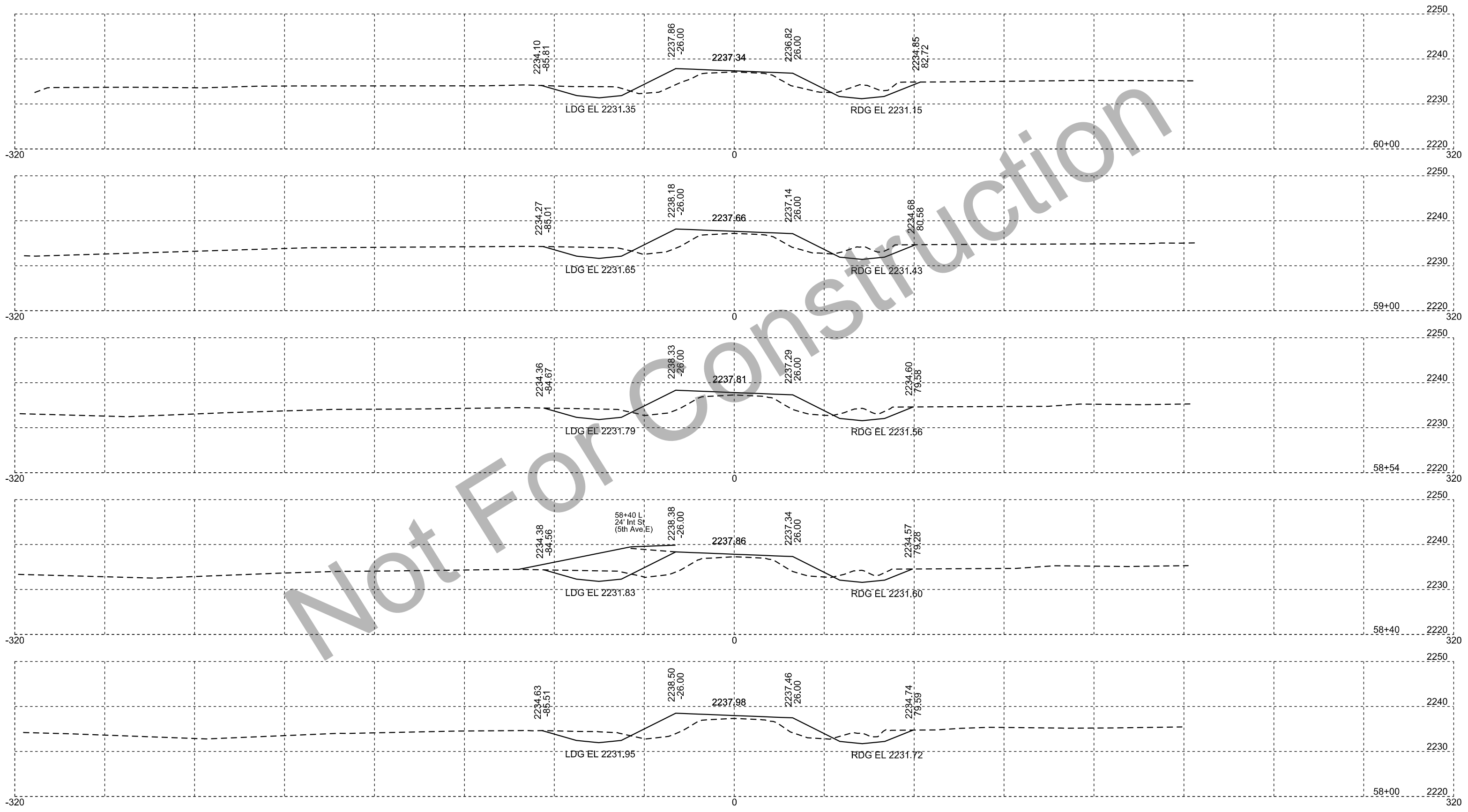
Not For Construction

STATE OF SOUTH DAKOTA	PROJECT	SHEET	TOTAL SHEETS
	NH 0012(206)112	X163	X185



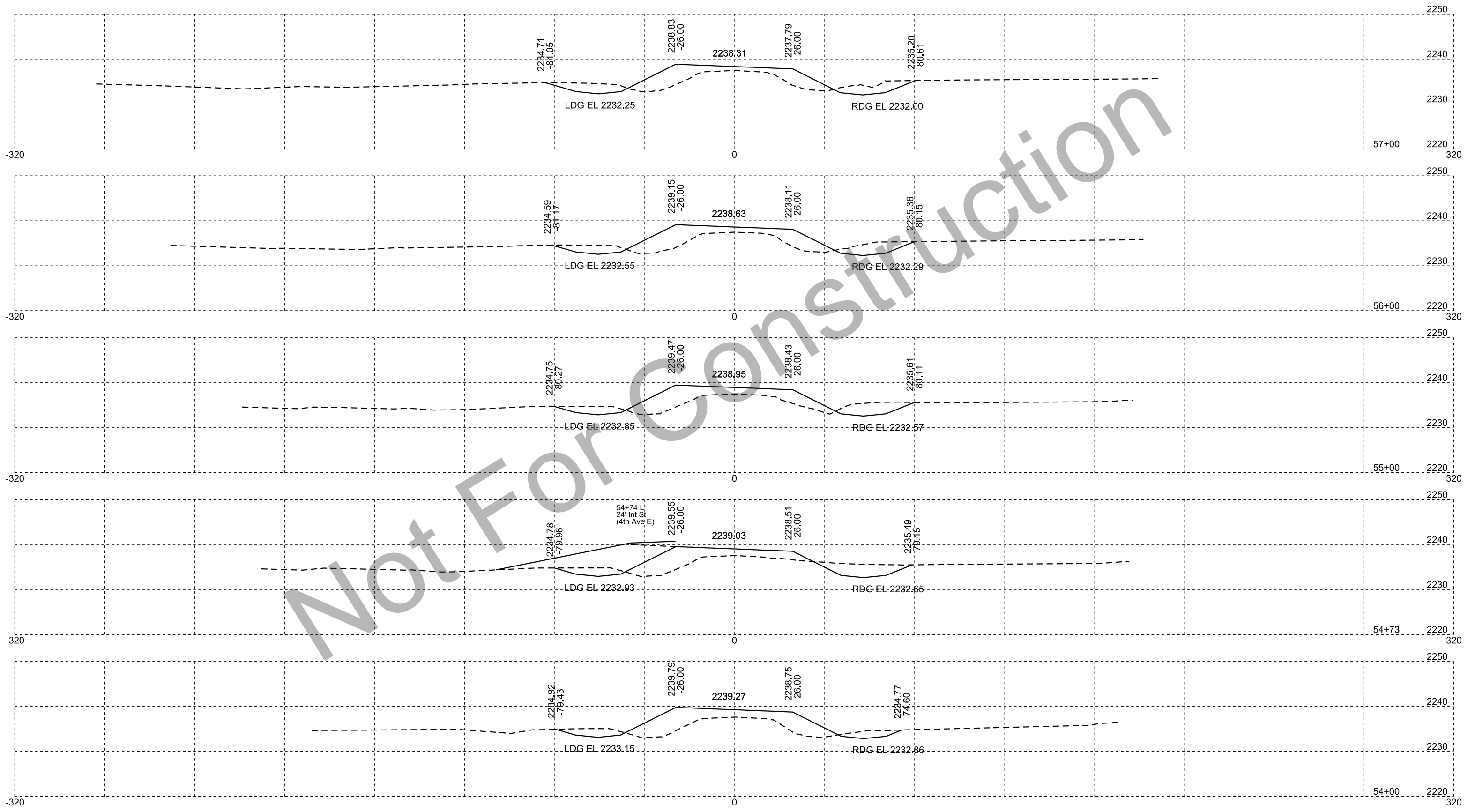
Not For Construction

STATE OF SOUTH DAKOTA	PROJECT	SHEET	TOTAL SHEETS
	NH 0012(206)112	X164	X185

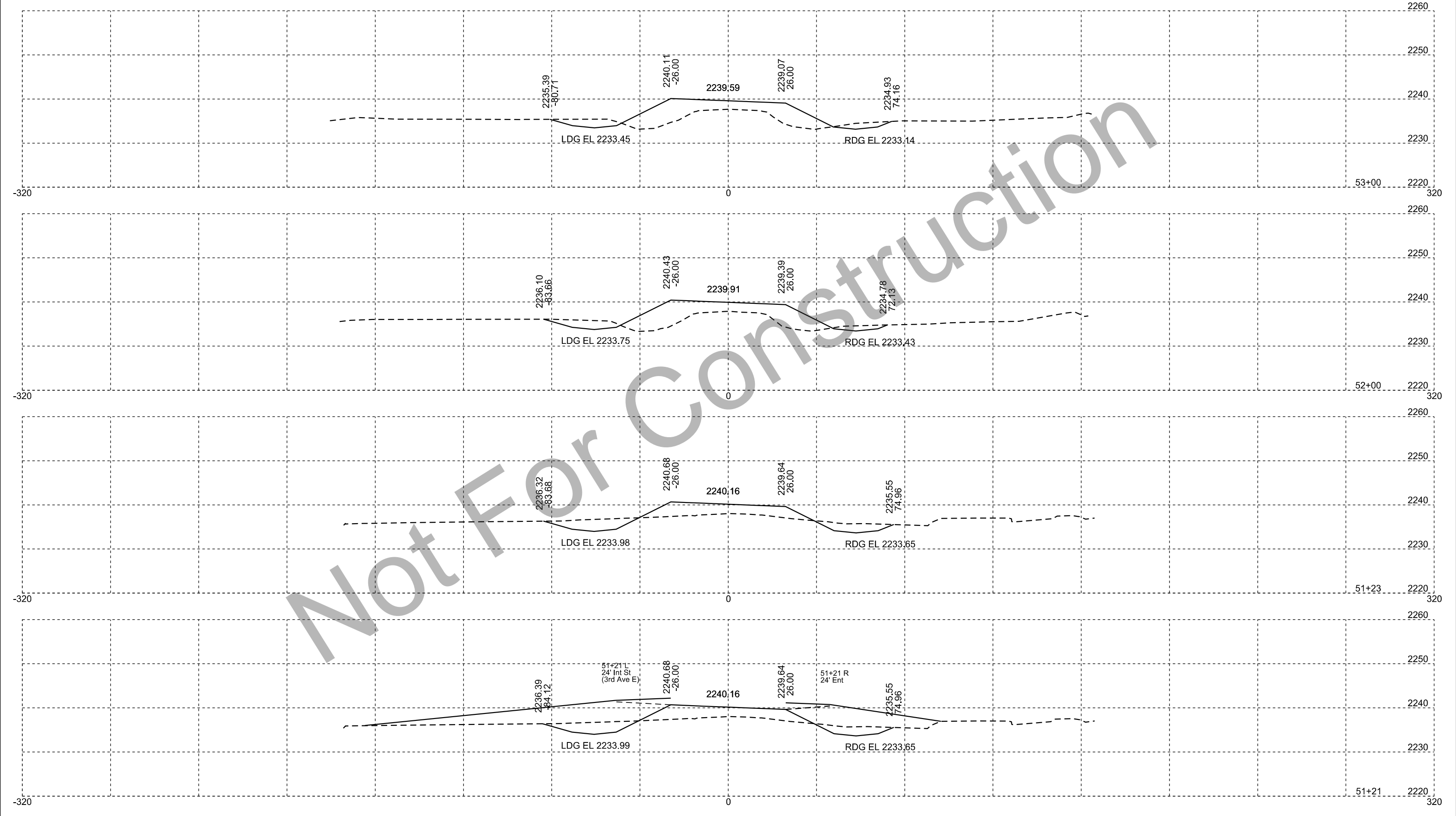


Not For Construction

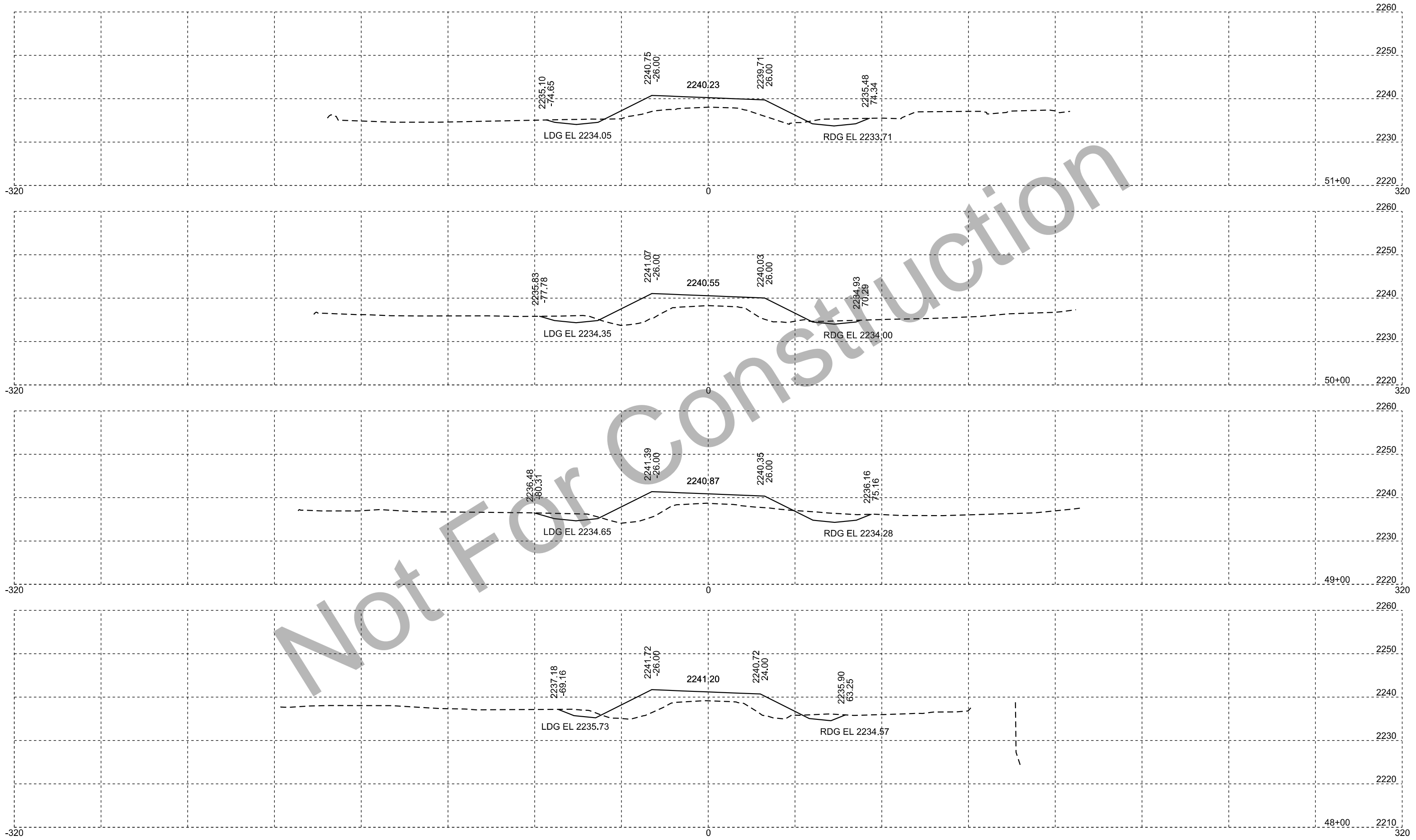
STATE OF SOUTH DAKOTA	PROJECT	SHEET	TOTAL SHEETS
	NH 0012(206)112	X165	X185



STATE OF SOUTH DAKOTA	PROJECT	SHEET	TOTAL SHEETS
	NH 0012(206)112	X166	X185

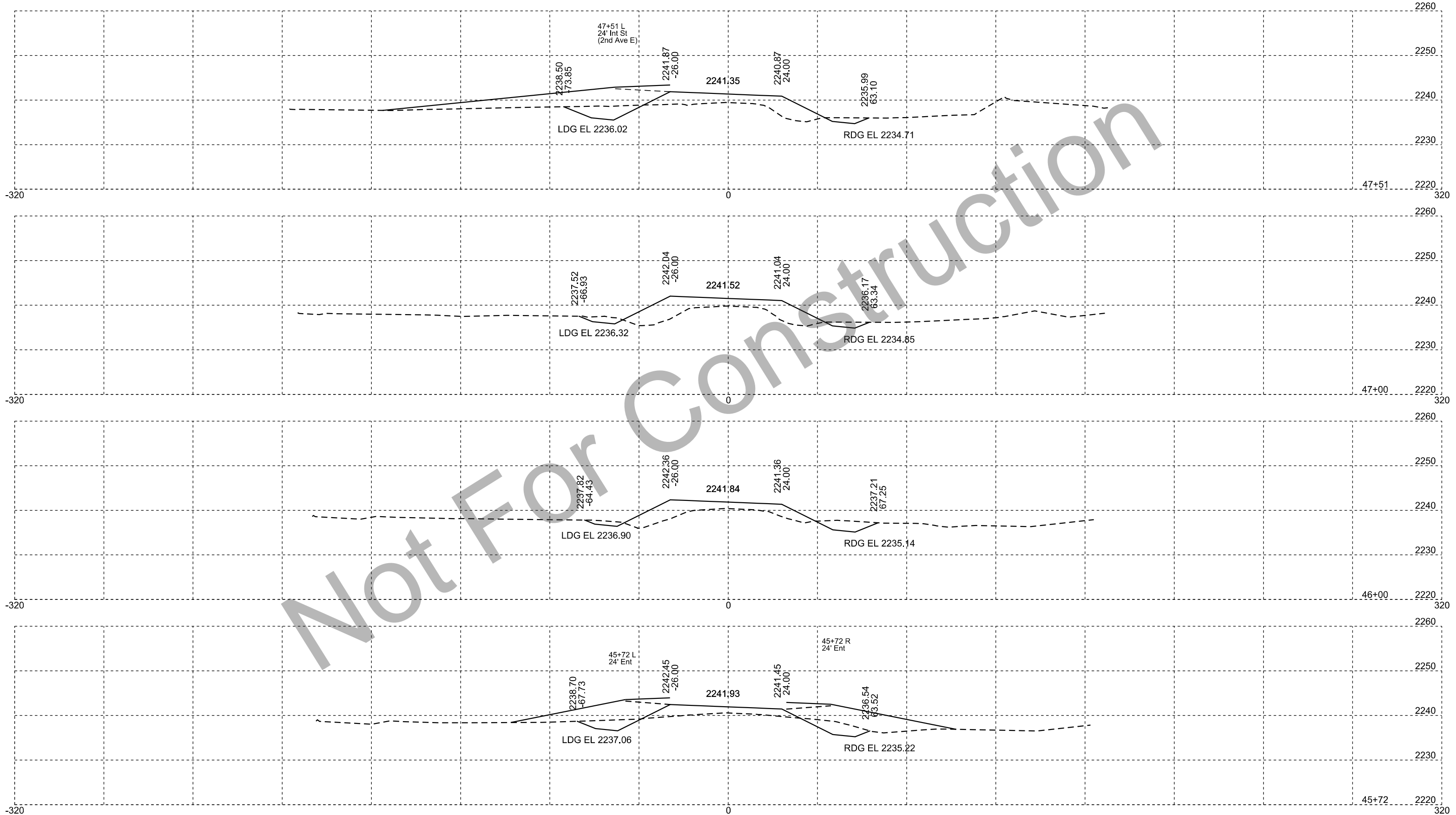


STATE OF SOUTH DAKOTA	PROJECT	SHEET	TOTAL SHEETS
	NH 0012(206)112	X167	X185



Not For Construction

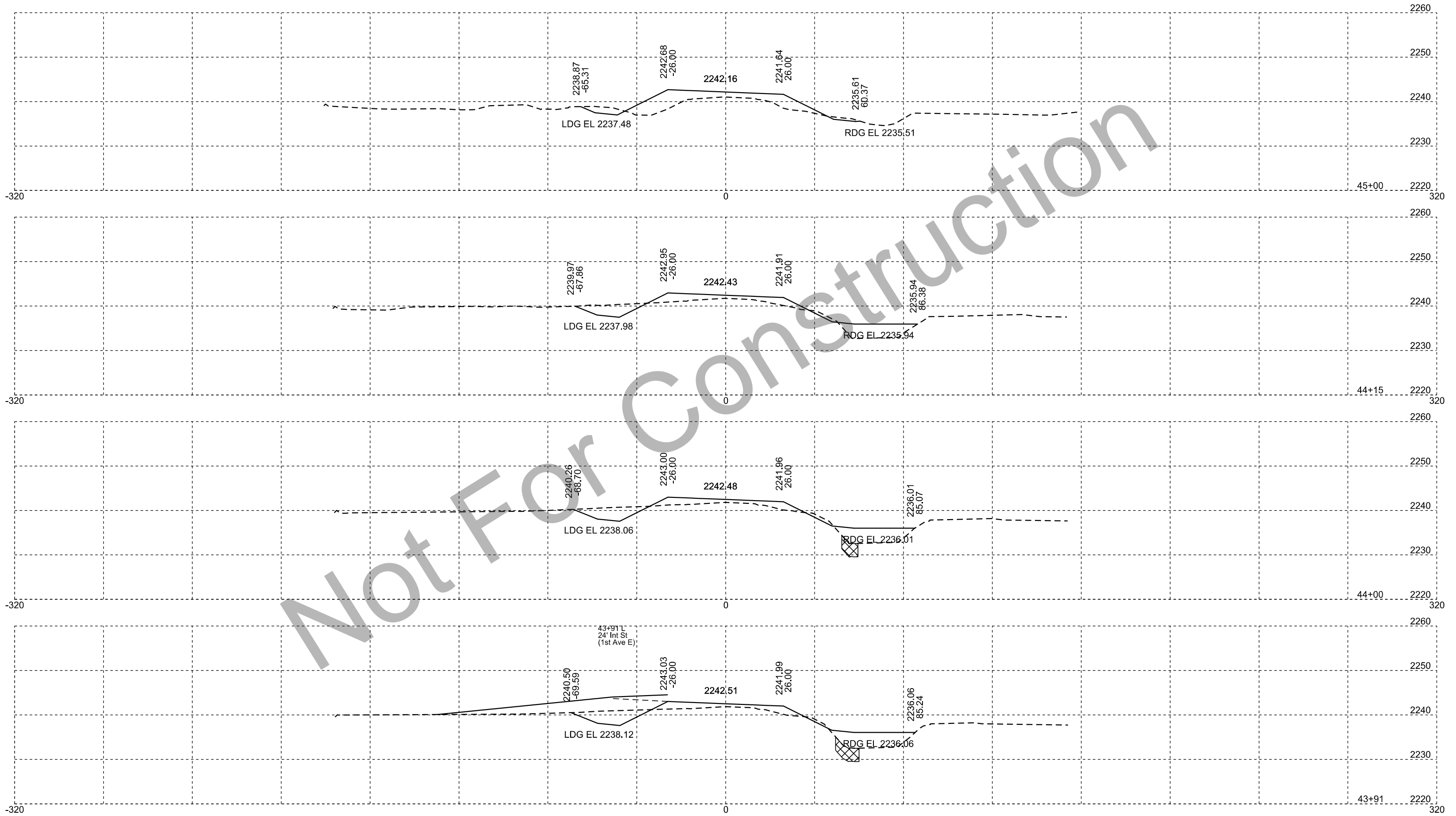
STATE OF SOUTH DAKOTA	PROJECT	SHEET	TOTAL SHEETS
	NH 0012(206)112	X168	X185



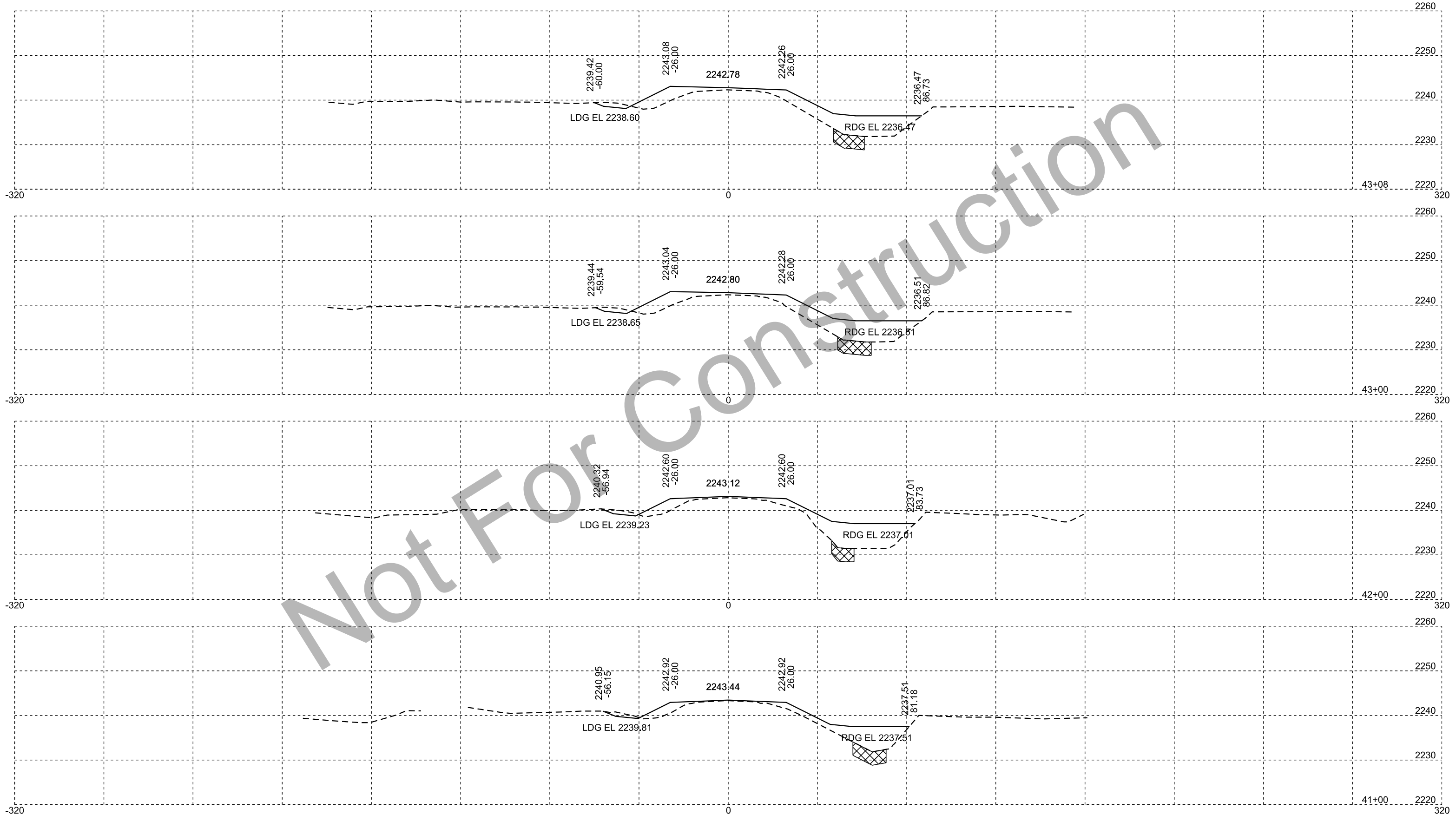
Not For Construction



STATE OF SOUTH DAKOTA	PROJECT	SHEET	TOTAL SHEETS
	NH 0012(206)112	X169	X185

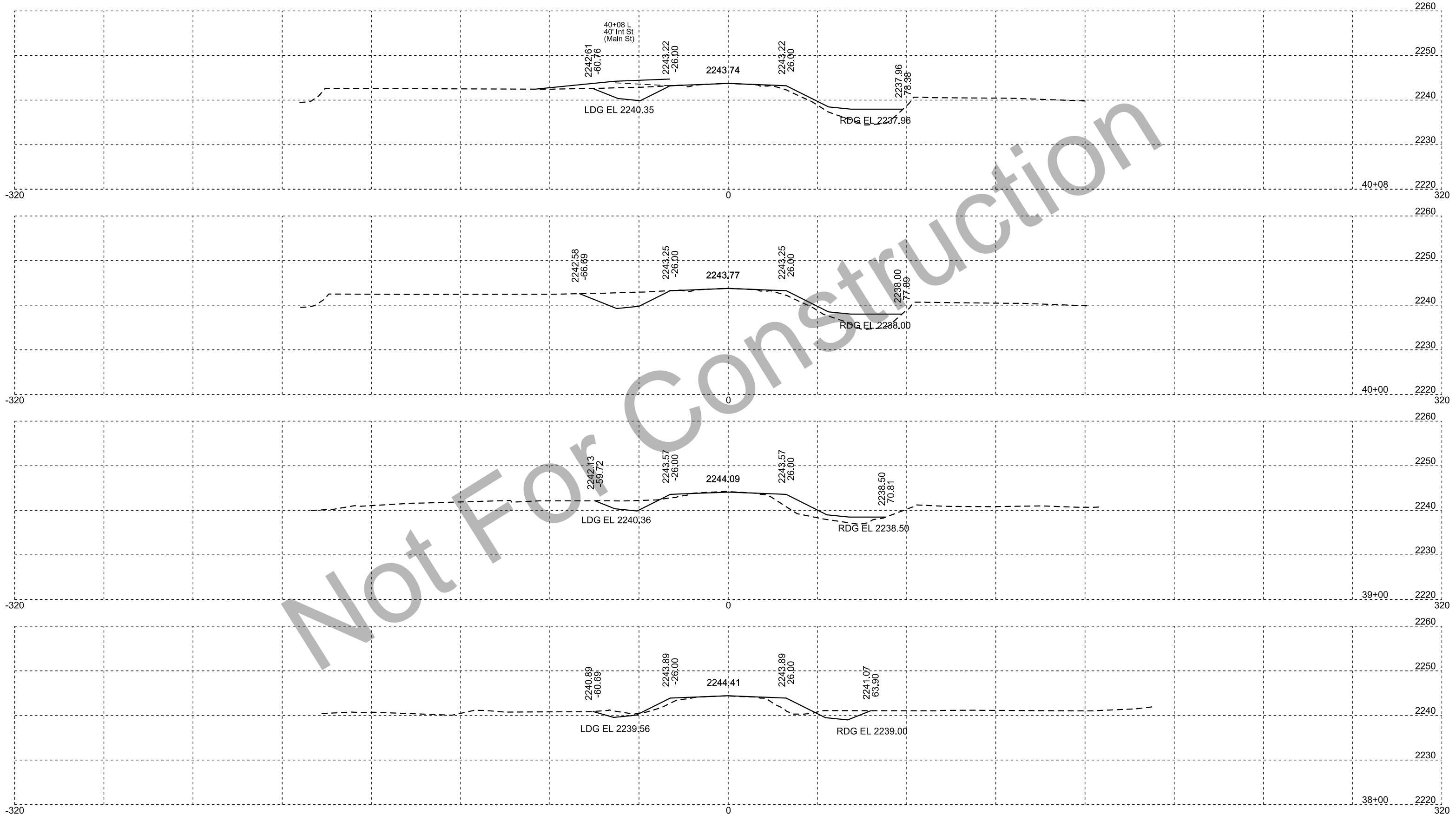


STATE OF SOUTH DAKOTA	PROJECT	SHEET	TOTAL SHEETS
	NH 0012(206)112	X170	X185

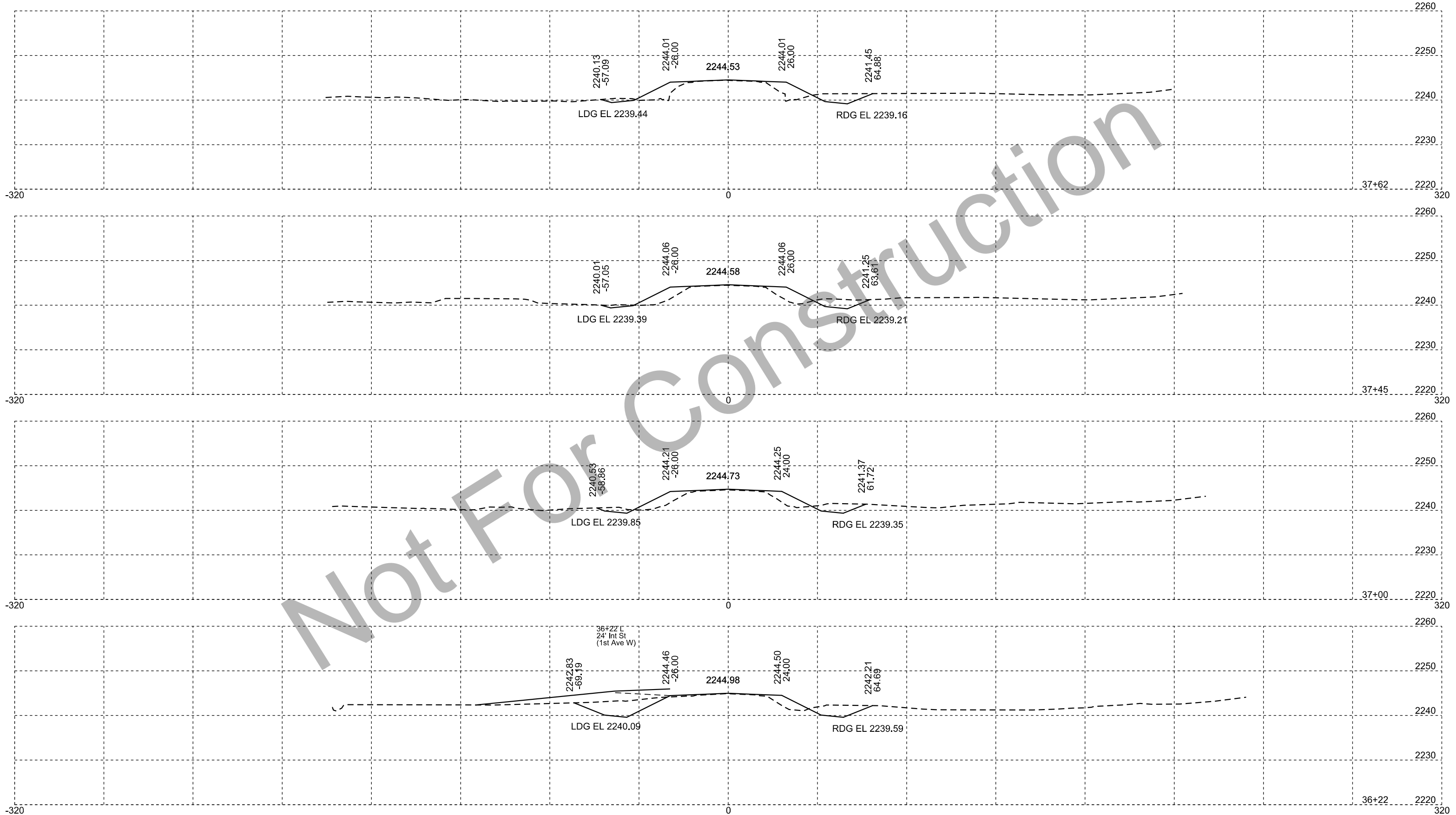


Not For Construction

STATE OF SOUTH DAKOTA	PROJECT	SHEET	TOTAL SHEETS
	NH 0012(206)112	X171	X185

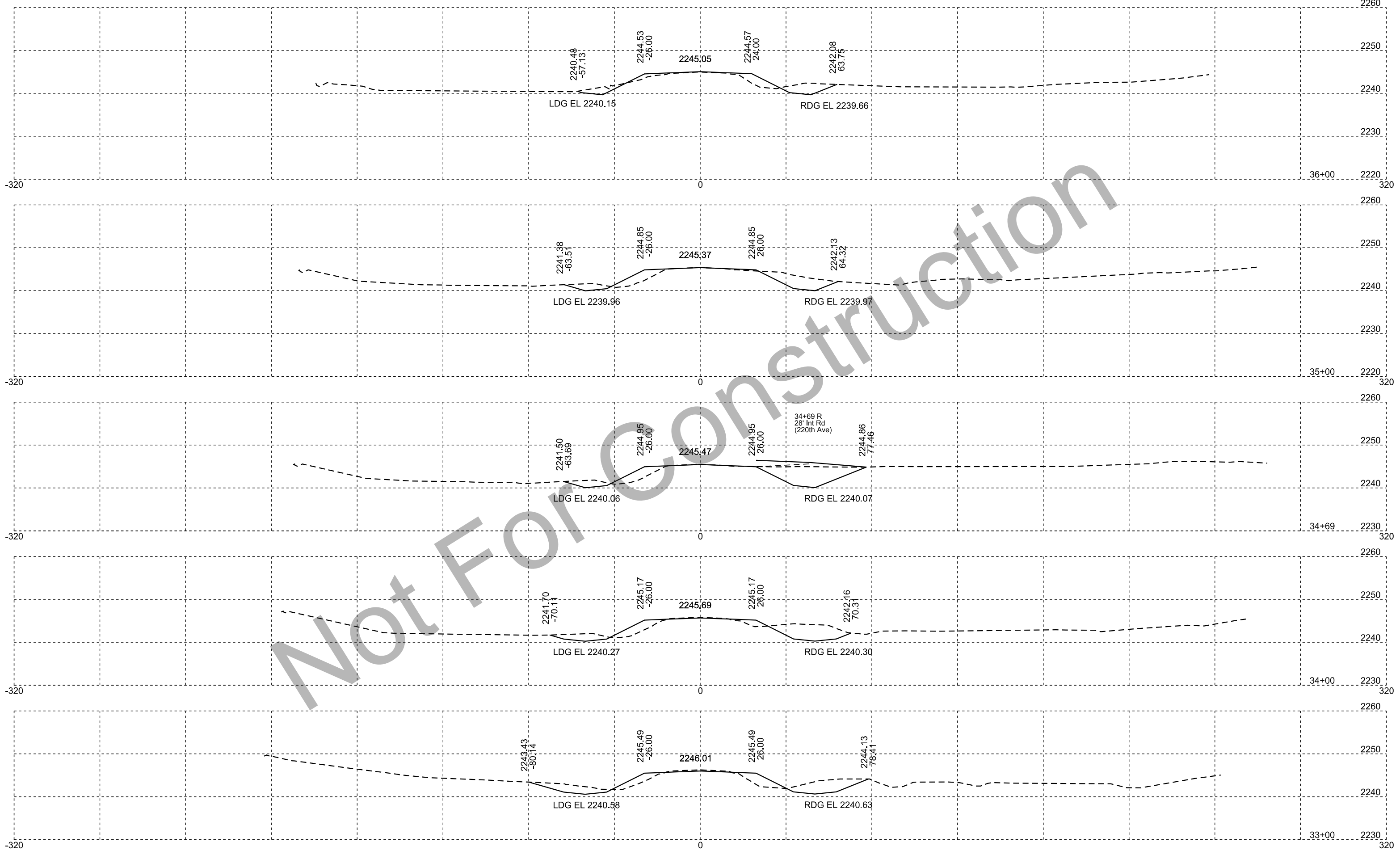


STATE OF SOUTH DAKOTA	PROJECT	SHEET	TOTAL SHEETS
	NH 0012(206)112	X172	X185



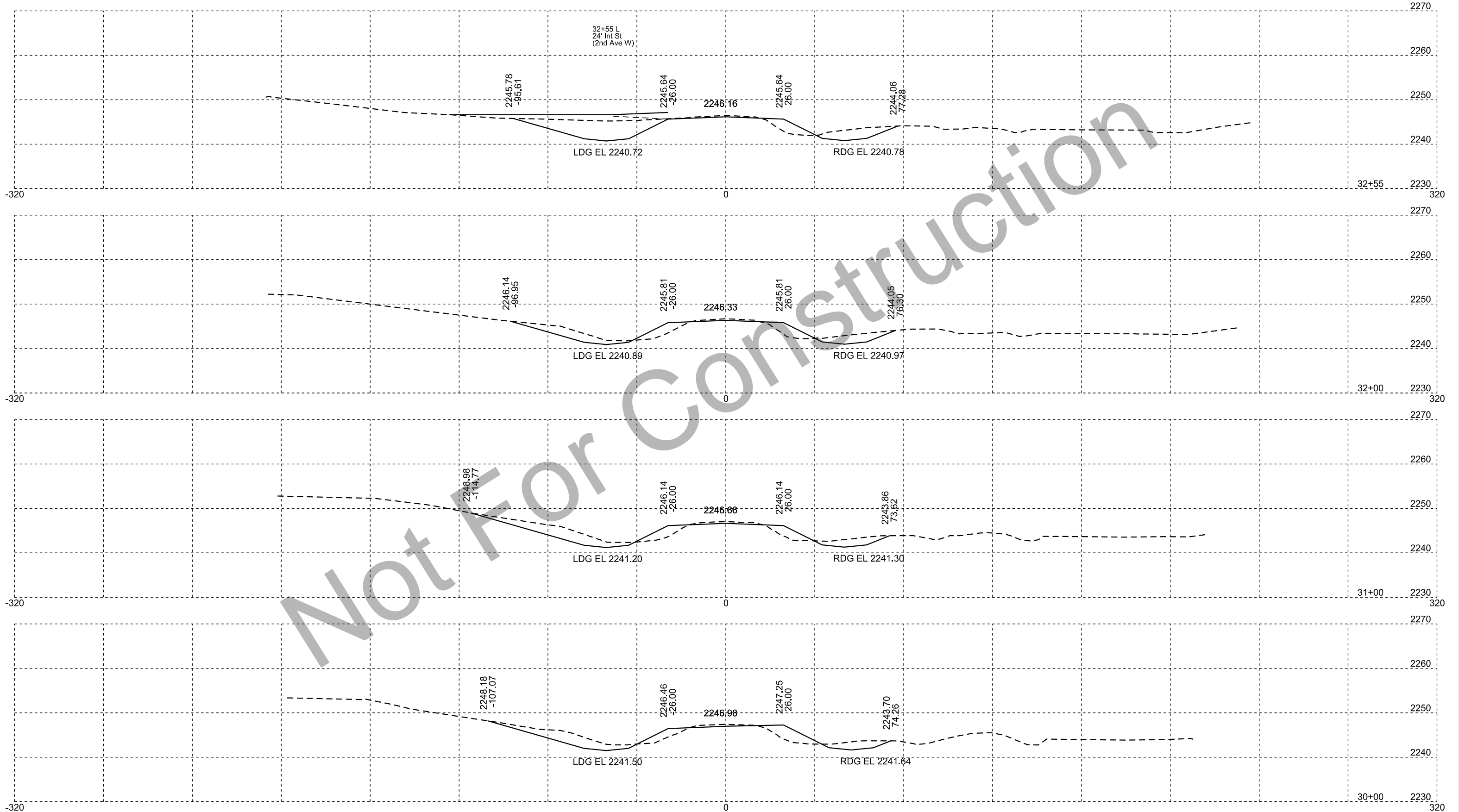
Not For Construction

STATE OF SOUTH DAKOTA	PROJECT	SHEET	TOTAL SHEETS
	NH 0012(206)112	X173	X185



Not For Construction

STATE OF SOUTH DAKOTA	PROJECT	SHEET	TOTAL SHEETS
	NH 0012(206)112	X174	X185



Not For Construction

32+55 L  
24' Int St  
(2nd Ave W)

LDG EL 2240.72

RDG EL 2240.78

LDG EL 2240.89

RDG EL 2240.97

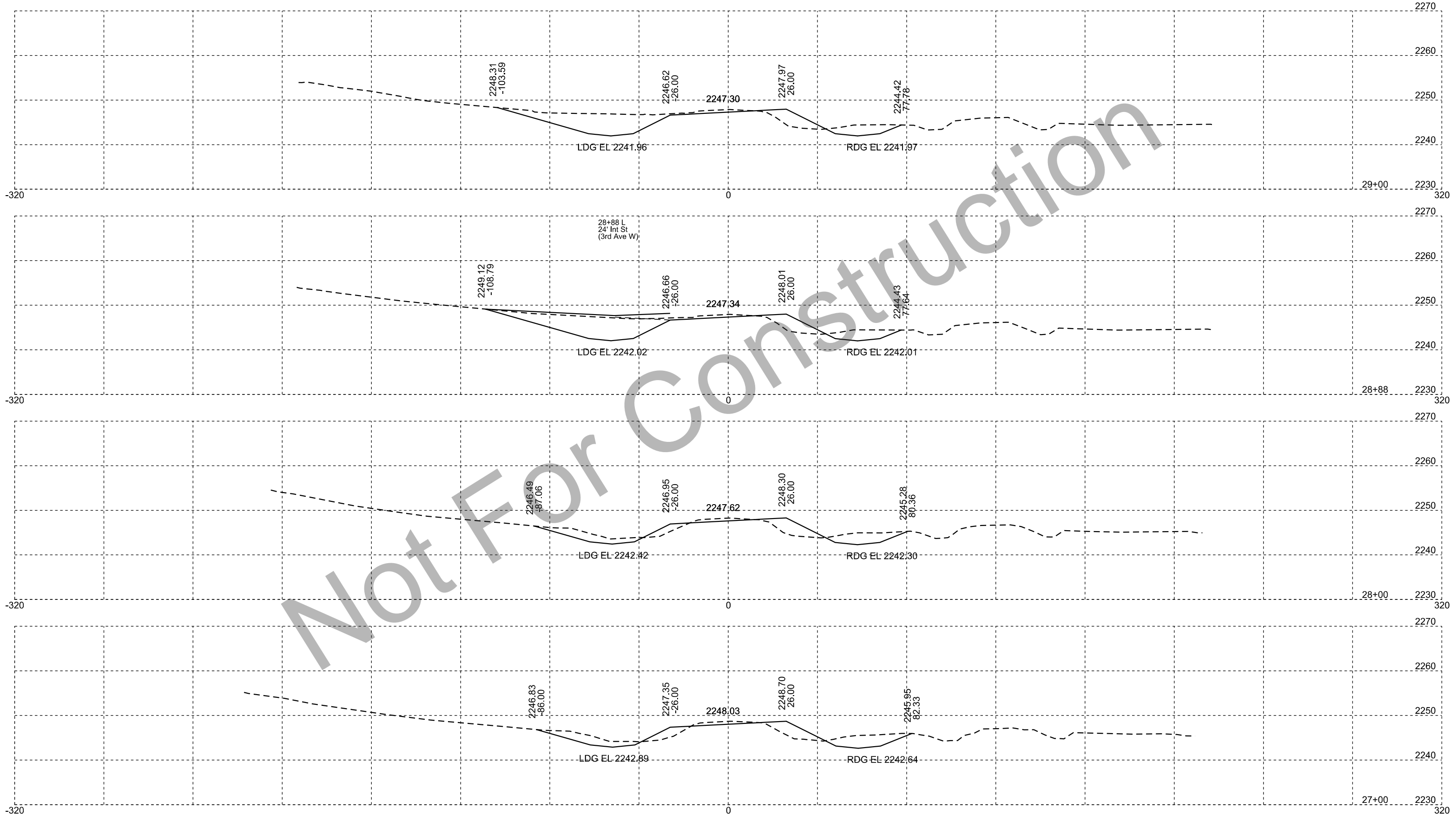
LDG EL 2241.20

RDG EL 2241.30

LDG EL 2241.50

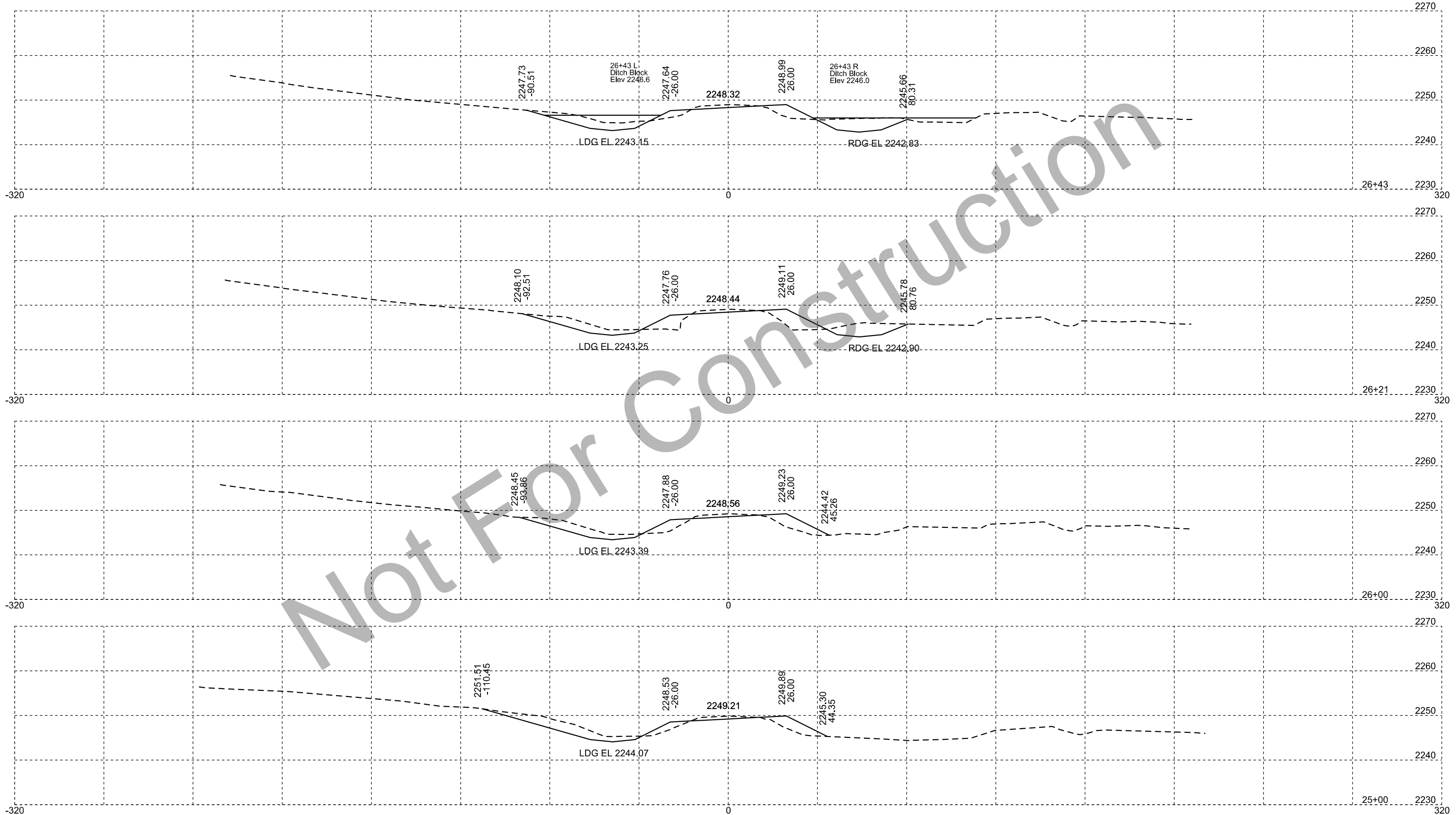
RDG EL 2241.64

STATE OF SOUTH DAKOTA	PROJECT	SHEET	TOTAL SHEETS
	NH 0012(206)112	X175	X185



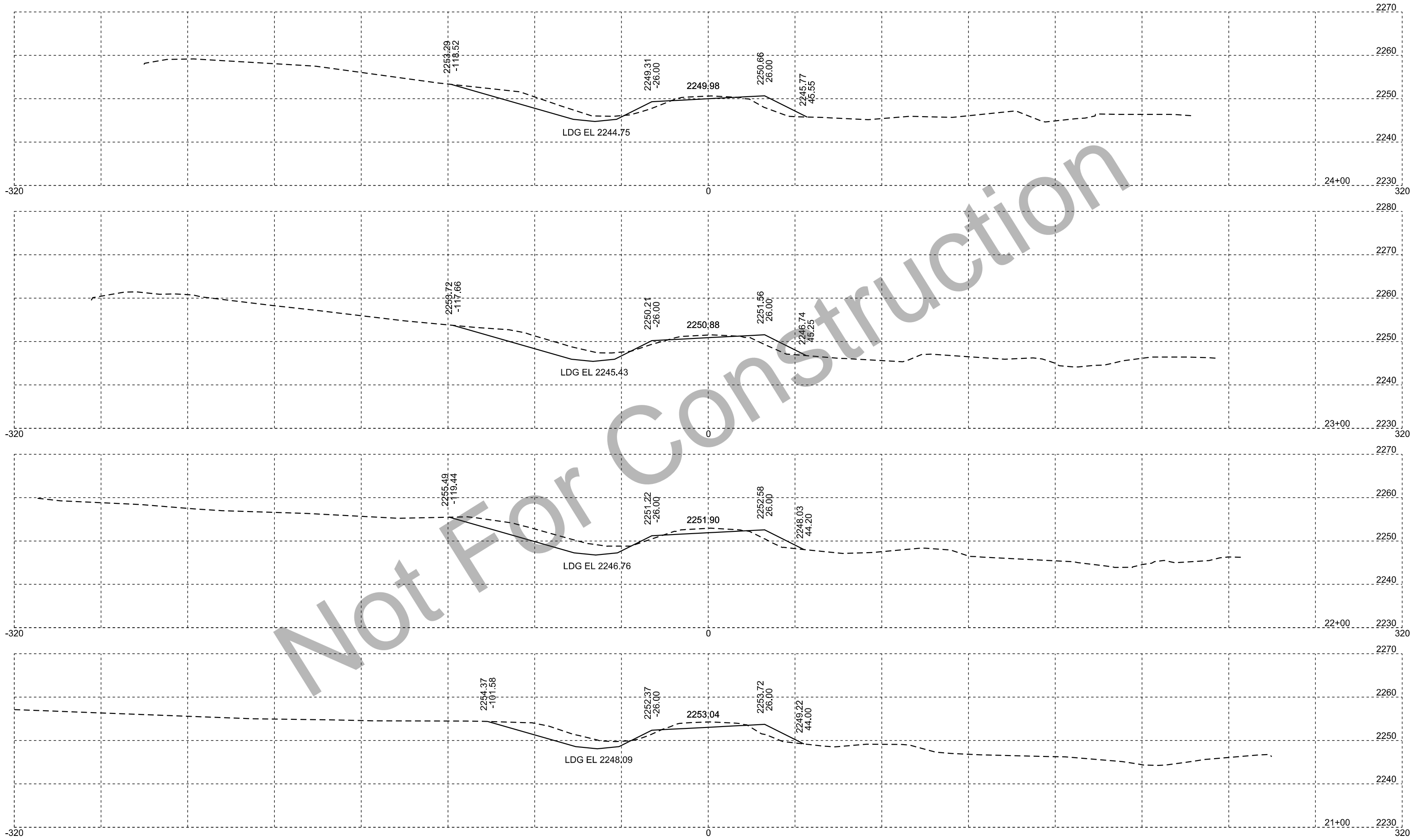
Not For Construction

STATE OF SOUTH DAKOTA	PROJECT	SHEET	TOTAL SHEETS
	NH 0012(206)112	X176	X185



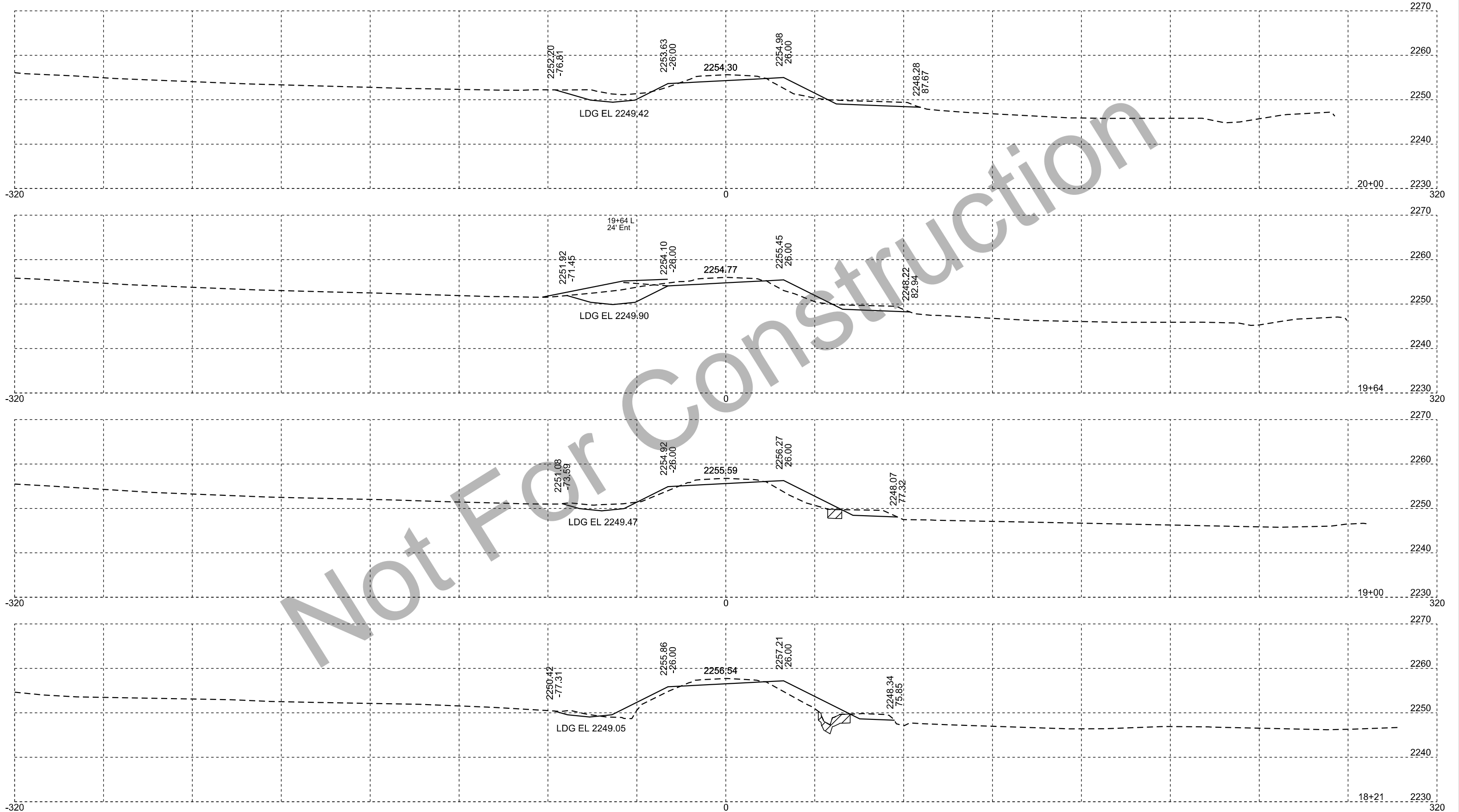


STATE OF SOUTH DAKOTA	PROJECT	SHEET	TOTAL SHEETS
	NH 0012(206)112	X177	X185



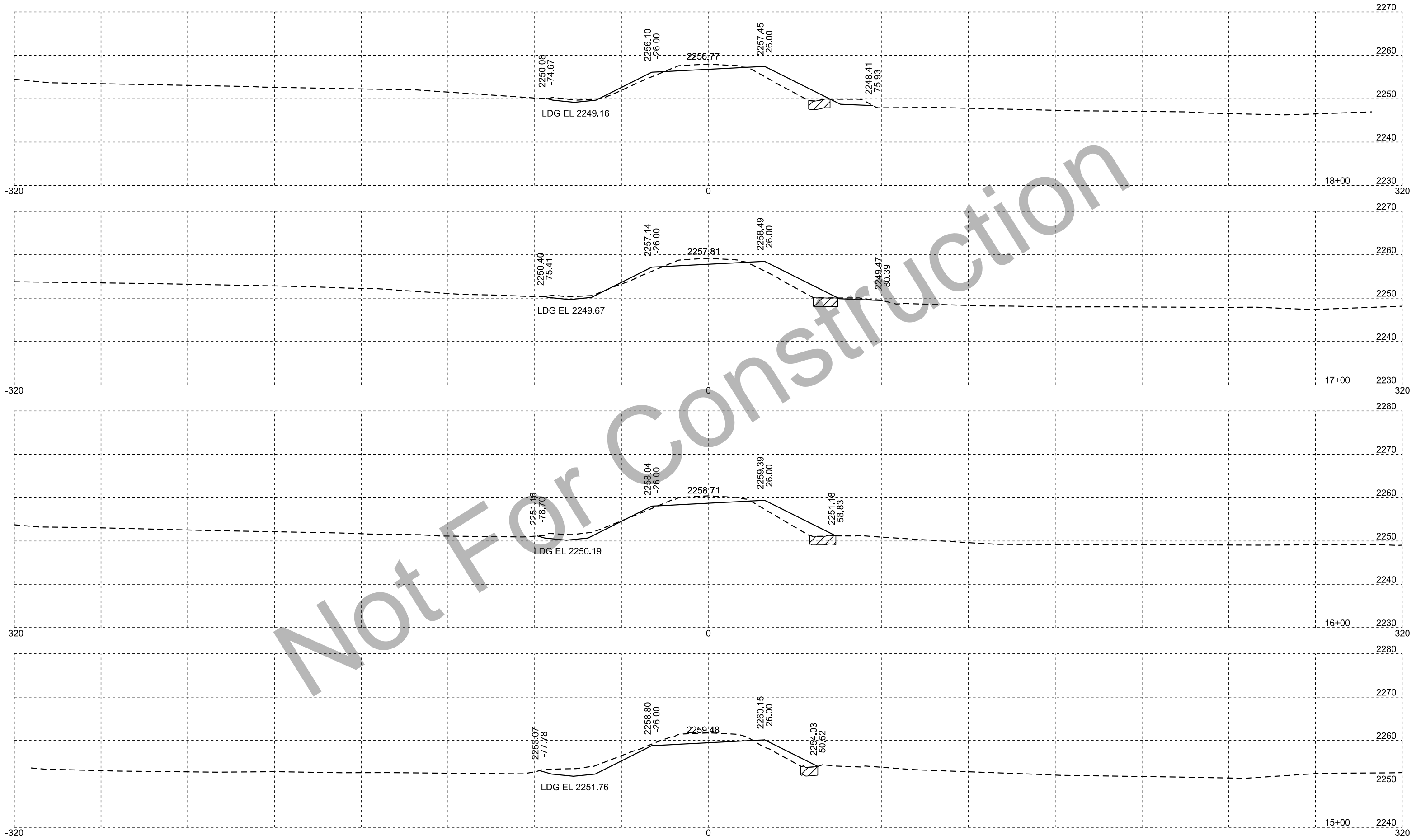
Not For Construction

STATE OF SOUTH DAKOTA	PROJECT	SHEET	TOTAL SHEETS
	NH 0012(206)112	X178	X185

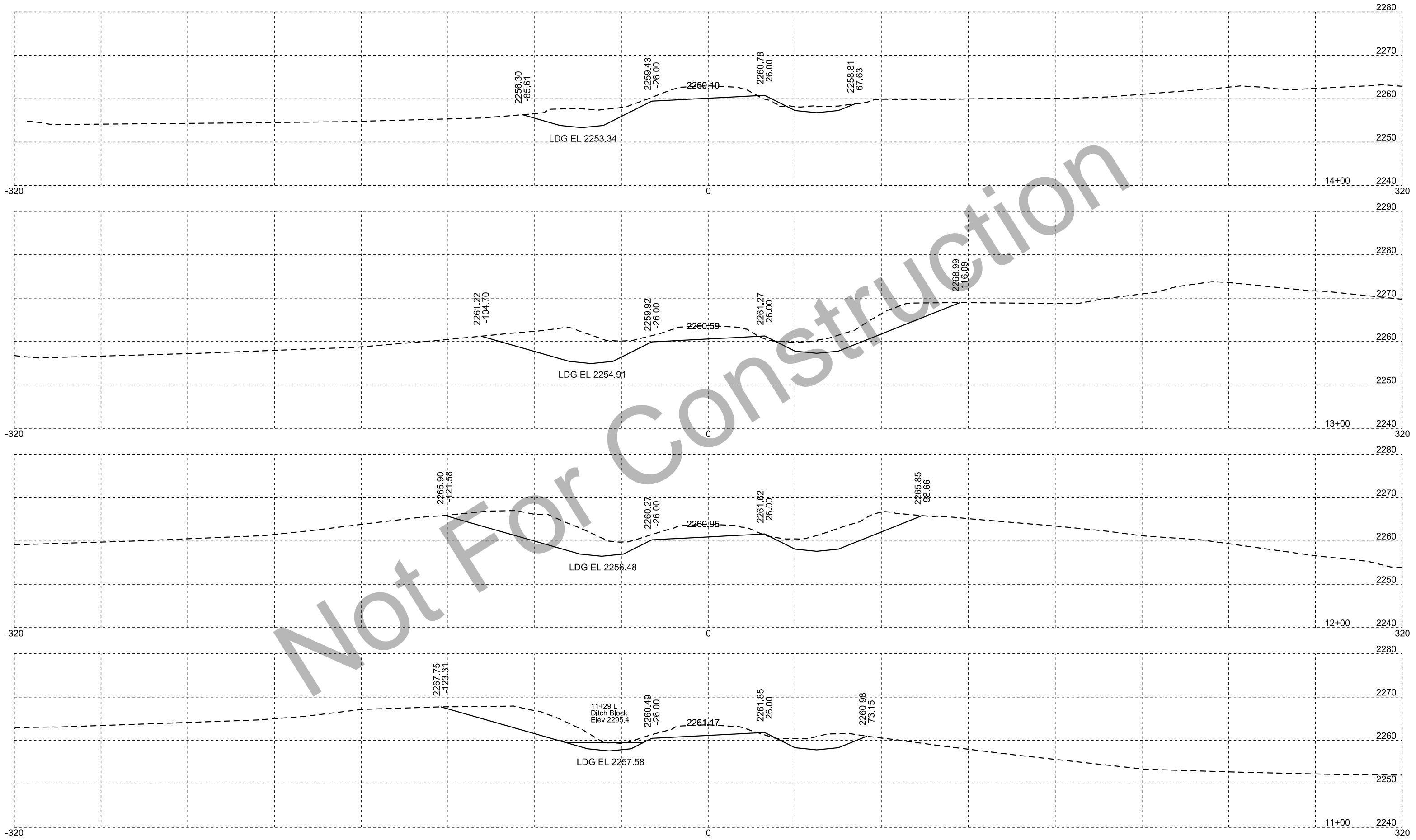


Not For Construction

STATE OF SOUTH DAKOTA	PROJECT	SHEET	TOTAL SHEETS
	NH 0012(206)112	X179	X185

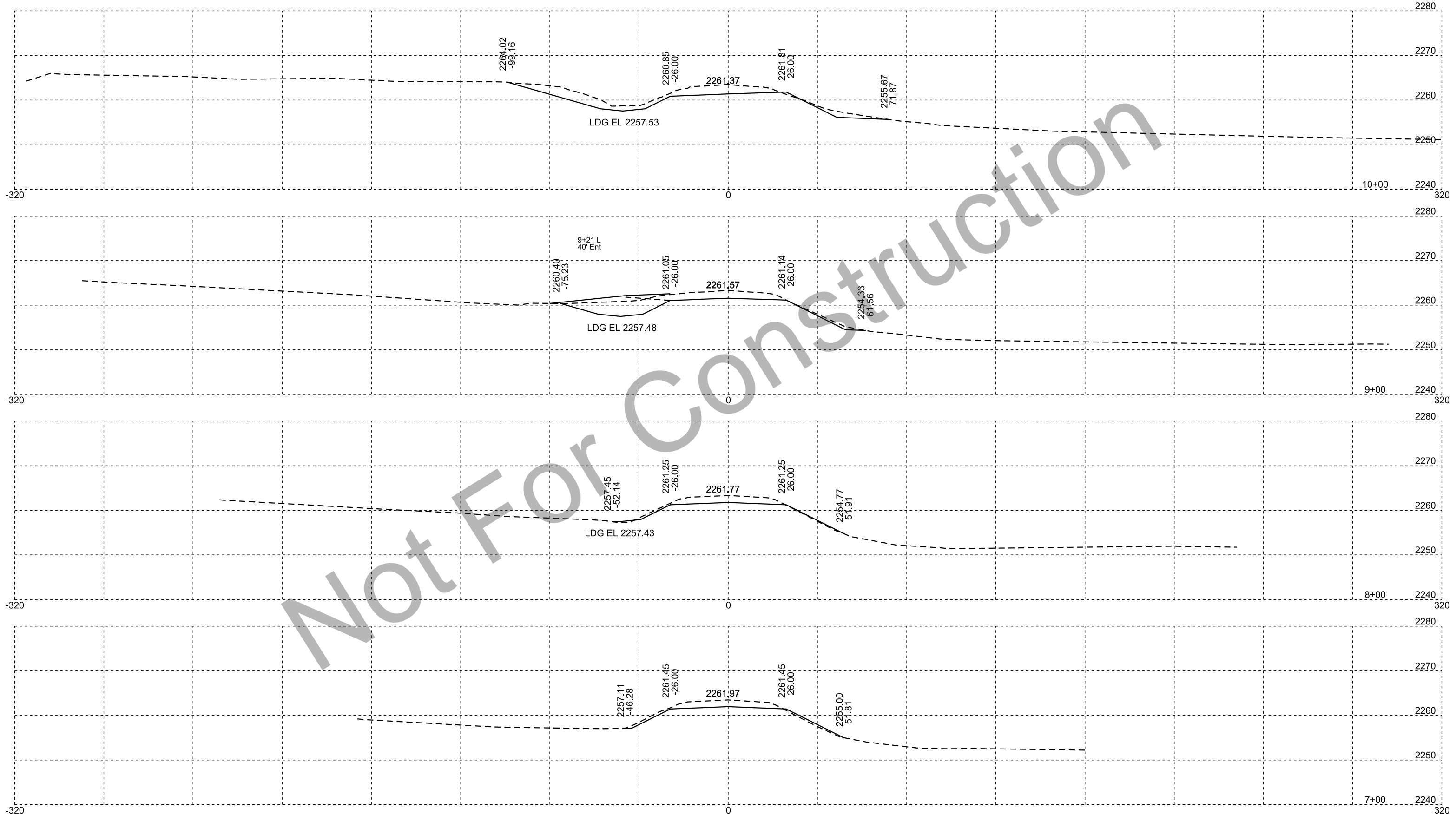


STATE OF SOUTH DAKOTA	PROJECT	SHEET	TOTAL SHEETS
	NH 0012(206)112	X180	X185

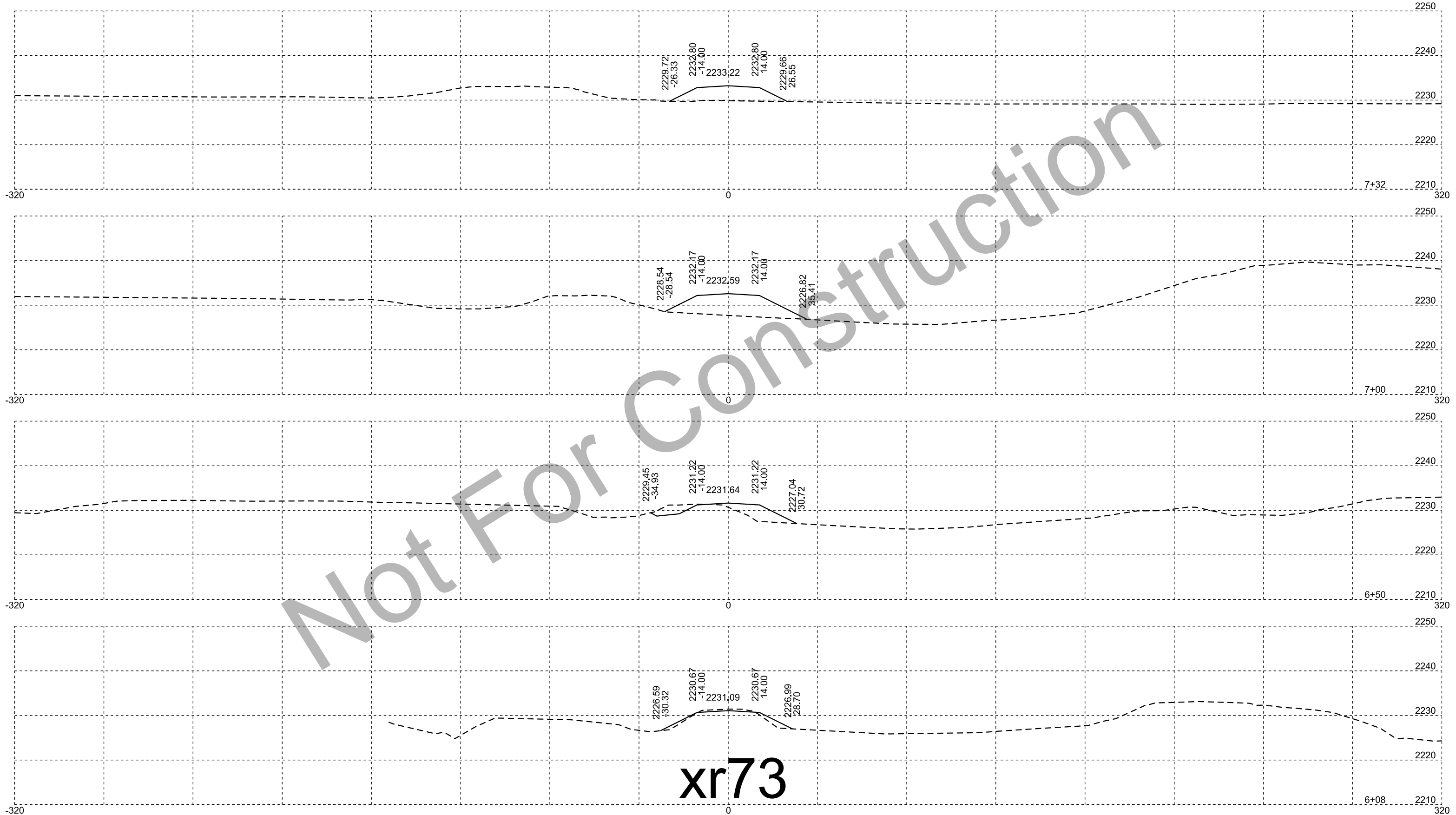


Not For Construction

STATE OF SOUTH DAKOTA	PROJECT	SHEET	TOTAL SHEETS
	NH 0012(206)112	X181	X185



STATE OF SOUTH DAKOTA	PROJECT	SHEET	TOTAL SHEETS
	NH 0012(206)112	X182	X185

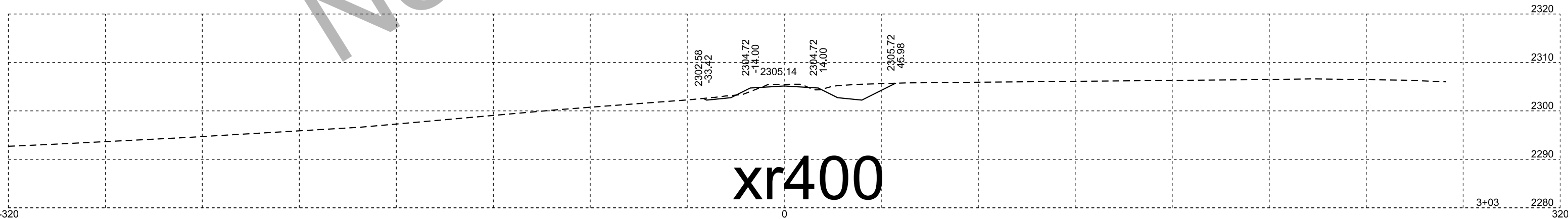


Not For Construction

xr73

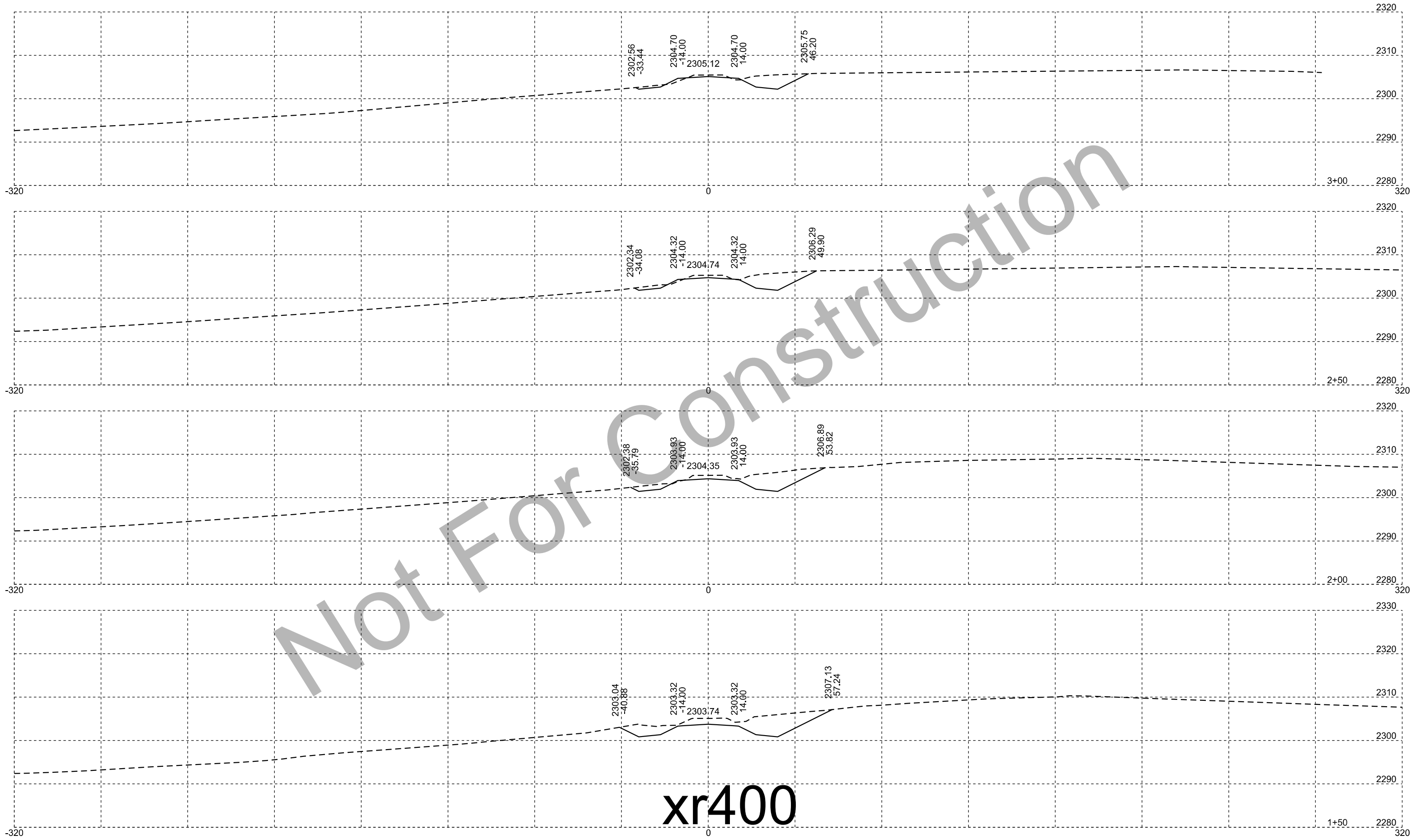
STATE OF SOUTH DAKOTA	PROJECT	SHEET	TOTAL SHEETS
	NH 0012(206)112	X183	X185

Not For Construction



xr400

STATE OF SOUTH DAKOTA	PROJECT	SHEET	TOTAL SHEETS
	NH 0012(206)112	X184	X185

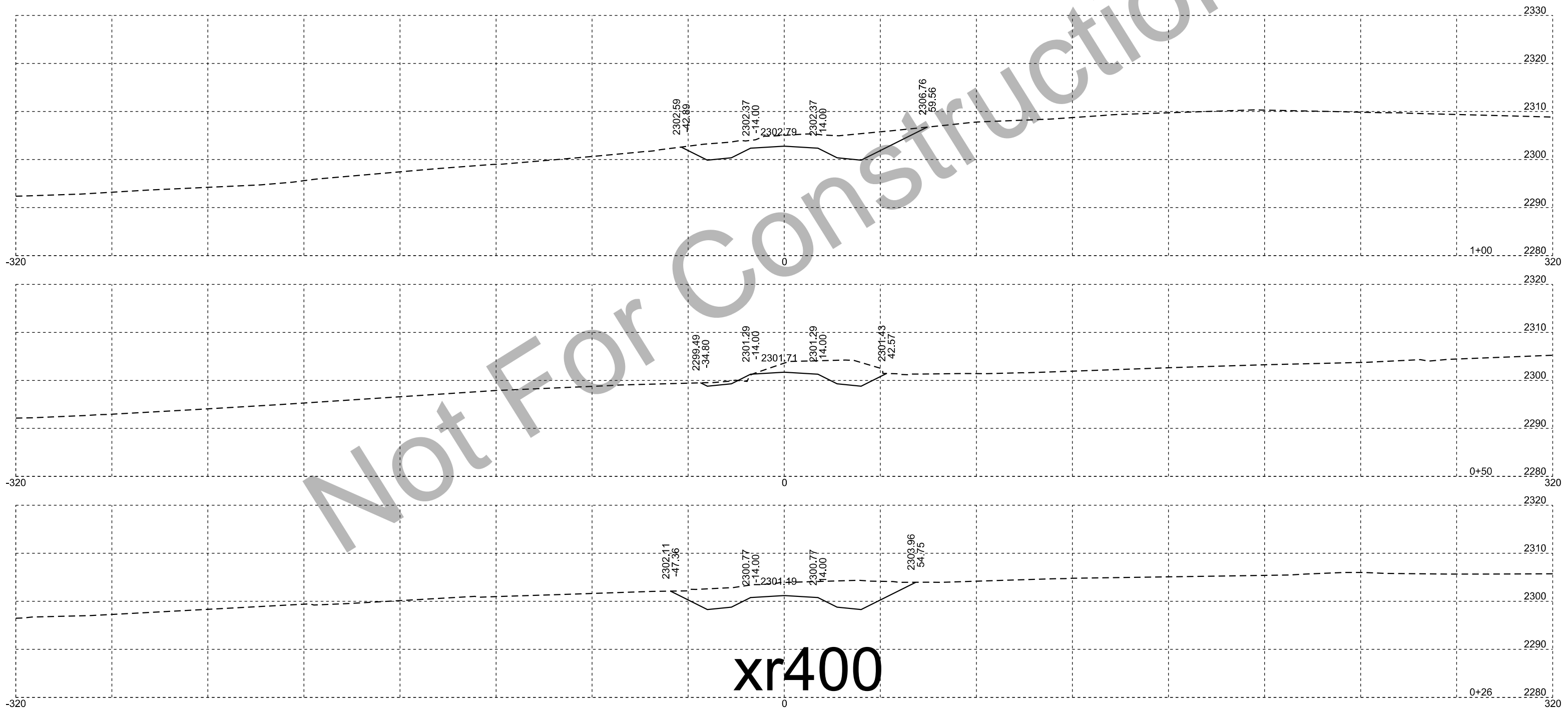


Not For Construction

xr400



STATE OF SOUTH DAKOTA	PROJECT	SHEET	TOTAL SHEETS
	NH 0012(206)112	X185	X185



xr400